



... all over IP!

⟨R⟩ RUTENBECK

Program 2017



AC WLAN

WLAN-Accesspoint in a data jack –
safe mobility for any network

... all over IP!

 RUTENBECK

AC WLAN additional variants starting on page 50



- WLAN in addition to data outlet
- 150 Mbit/s – IEEE 802.11 b/g/n
- all known encryption methods
- adjustable range
- with central management
- design without compromise, compatible to fit the design covers of the switching industry






DATA TECHNOLOGY - shielded (STP)

			page
<p>STP – Cat.6A iso Modular connection technique</p> 	<p>UM – Cat.6A iso Universal modular jacks</p> <hr/>	<p>UM – Cat.6A-iso-modular connection technique – general Overview modular components UM – Cat.6A iso Universal modular jacks Mounting adapters and backfitting sets Universal modular jacks Surface mounting housing Wall plates, center plates and accessory</p>	<p>10-11 12-13 14 15 16-17 18 19</p>
	<p>UMflex – Cat.6A iso Universal modular jacks flex</p> <hr/>	<p>UMflex – Cat.6A-iso-modular connection technique – general Overview modular components UMflex – Cat.6A iso Universal modular jacks flex Mounting adapters and backfitting sets Universal modular jack housings Surface mounting housing Wall plates, center plates and accessory</p>	<p>10-11 12-13 14 15 18 18 19</p>
	<p>STP – Cat.6A iso Patch panel modular</p> <hr/>	<p>Patch panel holding up universal modular jacks Consolidationpoint Multimedia patch panel Accessory, cable and patch cords</p>	<p>20 20 21 22-23</p>
<p>STP – Cat.6A iso Compact connection technique flex</p> 	<p>STP – Cat.6A iso Compact-universal- jacks flex</p> <hr/>	<p>STP - Cat.6A-iso-compact connection technique flex – general Overview compact components flex Overview compact components Cat.6A iso Cat.6A-iso-compact-universal-jacks flex Wall plates, center plates and surface mounting housing IP44-mounting housing Accessory, patch panel AP</p>	<p>24-25 26 27 28 30 31 32</p>
	<p>STP – Cat.6A iso Compact-patch panel</p> <hr/>	<p>Cat.6A-iso-patch panel Accessory and patch-cords</p>	<p>33 34-35</p>
<p>STP – ClassEA iso Compact connection technique flex</p> 	<p>STP – ClassEA iso Compact-universal- jacks flex</p> <hr/>	<p>STP - ClassEA iso-compact connection technique flex – general Overview compact components flex Overview compact components ClassEA iso ClassEA iso compact-universal-jacks flex Wall plates, center plates and surface mounting housing IP44-mounting housing Accessory, patch panel AP</p>	<p>24-25 26 27 29 30 31 32</p>
	<p>ClassEA iso Compact-patch panel</p> <hr/>	<p>ClassEA iso patch panel Accessory</p>	<p>33 34-35</p>
	<p>STP – Cat.6A iso Universal plug</p> <hr/>	<p>STP – Cat.6A iso universal plug</p>	<p>36</p>
	<p>STP – Class FA Universal connection module</p> <hr/>	<p>STP – Class FA universal connection module</p>	<p>37</p>



DATA TECHNOLOGY - unshielded (UTP)

			page
<p>UTP – Cat.6A iso U, ClassEA iso U Compact connection technique</p> 	<p>UTP – Cat.6A iso U, ClassEA iso U Compact-universal-jacks</p> <hr/>	UTP – Cat.6A iso U, ClassEA iso U-compact connection technique – general	38-39
		Overview compact connection technique UTP	40-41
		Overview compact components Cat.6A iso U, ClassEA iso U, unshielded	42-43
<p>UTP – Cat.6A iso U Modular connection technique</p> 	<p>UTP – Cat.6A iso U Universal modular components</p> <hr/>	UTP – Cat.6A iso U-modular connection technique – general	44-45
		Overview modular components , unshielded (construction kit system)	46-47


DATA TECHNOLOGY - AC WLAN, SOHO and special solutions

			page
<p>WLAN-Access point</p> 	<p>AC WLAN</p> <hr/>	WLAN-Access point – general	50-51
		Up-WLAN-Access point-connection jacks and solutions for DIN-rail mounting	52-53
<p>Small-Office/Home-Office (SOHO)</p> 	<p>Copper-based solutions</p> <hr/>	System specification SOHO, PoE	54-55
		Active and passive system devices, SRM, PPR	56-60
		Accessory	60
	<p>line21® for retro fitting</p> <hr/>	FO-system components, splice box, switch	61
		System visualisation line21®	62
<p>POF </p> <hr/>	line21®-system components	63	
	Accessory	63	
	System visualisation POF	64-65	
	Media converter/switches	66	
	Communications adapter, plugs and accessory	67	

⟨R⟩ MULTIMEDIA - Communications adapter, cable solutions and active USB-solutions

			page
Communications adapter 	Communications adapter copper, FOC and POF <hr/>	Communications adapter – general	68-69
		USB-solutions, active, charging devices, hub	70-71
		Overview communications adapter copper	72
		Overview communications adapter FOC, POF (construction kit system)	73
		Communications adapter copper, jacks	74-75
		Communications adapter copper, mounting adapter	76-77
		Communications adapter copper, sockets	78
		Communications adapter, FOC couplings	79
	Communications adapter Keystone design <hr/>	Overview communications adapter Keystone design	80
		Overview communications adapter Keystone design, mounting adapter	81
		Overview communications adapter Keystone design, Keystone	81-83
		Wall plates, center plates and accessory	83
Cable solutions 	HDMI and VGA <hr/>	HDMI and VGA cable solutions – general	84
		Cable matrix HDMI	85
		Installation solutions HDMI connection cable, HDMI feeder cable customized	86
		Installation solutions HDMI connection cable, HDMI feeder cable	86
		Accessory HDMI feeder cable	87
		Cable matrix VGA	87
		Communications adapter VGA connection cable, VGA patch cable, VGA feeder cable	88
		Communications adapter VGA cable, customized	89
		VGA cable, customized	89
		Accessory for VGA cable	90
		Terminal devices connection cable, VGA feeder cable	90
		Accessory for VGA feeder cable	91


⟨R⟩ TELEMATIC

			page
Remote switching and alarm dialing devices 	Remote switching and alarm dialing devices <hr/>	Telematic – general	92-93
		Overview remote switching and alarm dialing devices	94-95
		TCR GSM/GPS	96-97
		TC IP 1	98-99
		TCR IP 4	100-101

TELEPHONE TECHNOLOGY

			page	
Connector-blocks 	IAE/UAE – ISDN-Connector-blocks	ISDN-Connector-blocks/Universal-connector-blocks – general ISDN-single-jacks ISDN-double-jacks for one connection ISDN-double-jacks for one connection with switchable resistors ISDN-double-jacks for two connections	102-104 105 105-106 106 107-108	
	UAE – combi jack	IAE/UAE combi jacks UAE-single-jacks UAE-double-jacks for one connection UAE-double-jacks for two connections Wall plates and center plates Accessory	108 108-109 109 110 111 111	
	Cablesharing-Adapter	Cablesharing-Adapter	112-113	
	TAE-jacks	TAE-jacks - general TAE-triple jacks for one connection TAE-triple jacks for two connections Wall plates, center plates and cable outlet Accessory (Telephone-adapter, TAE-plugs)	114 115 116 117 118	
	Electronical components 	Automatic multiple switch	AMS	119
		High-current switching on relay	SAR	120
		Additional ringer	WK	120
	Distribution boxes 	Distribution boxes	Distribution boxes Universal housings and accessory Compact distribution boxes and maximum capacity Distribution boxes for private networks VKP 85 Accessory (Terminal strips, connection elements, test cords, connection tools, mounting bar, mounting support)	121 122 123 124 125-127
		Cable installation material	Anchoring clamps	127

LOCKING SYSTEMS

			page
Locking systems 	Locking systems	General Locking systems, active - proLock, proLock Secure Locking systems, active - proLock IP, proLock IP Secure proLock Accessory Locking systems, active - proLock Arx, Accessory Locking systems, active - proLock Tutor SB, Accessory Tube safes, Accessory und Rim lock Card safe, accessory Flexible Cable Protection	128-130 131 132 133 134 135 136-138 139 140

ANNEX

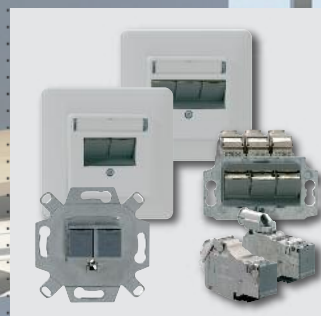
			page
Annex	Annex	Article overview sorted by article numbers Contact - Germany/International	141-144 145

DATA TECHNOLOGY

shielded (STP)

- high mechanical stability
- flexible cable entry from all sides
- installation advantages at construction site
- various designs (compact/modular)
- consideration of different installation preconditions
- made to fit design wall plates from all well-known manufacturers of electrical installation material

Also with the patch panels, the central components of the generic cabling emphasize the installation advantages for use at construction sites, either in compact connection technique, or in modular connection technique or as DIN-rail mounting housing for the electrical distribution box.

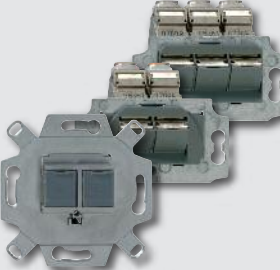





Compact-universal jacks
 Cat.6A iso, ClassEA iso
 page 24




Compact connection technique patch panel Cat.6A iso, ClassEA iso and patch panel PoE
 page 33



Modular connection technique jacks Cat.6A iso
 page 10



Modular connection technique patch panel Cat.6A iso
 page 20



STP – Cat.6A iso

Modular connection technique, for generic networks

Universal modular jacks – professional und practice-oriented

No compromising in design

Universal modular jacks from Rutenbeck are extending the selection of modular connecting systems with a type "direct" design compatibility. Meaning that, up to two Rutenbeck universal modular jacks can be completed with customary TAE wall plates. This allows the integration into any switch design. The mounting adapter of the universal modular jacks ensures the usual insertion direction of the plug with an insertion angle of 30°. In case three modular jacks are supposed to be put into one mounting box, this can be realized by using special mounting adapters and center plates.

Universal modular jacks from Rutenbeck fit the worldwide customary mounting openings of 19.3 x 14.7 mm.

Quick and easy connection

For mounting expensive and complicated special tools are not necessary. The cable only needs to be dismantled and prepared accordingly. For the following steps a cutting tool is completely sufficient. The mounting wedge of the Rutenbeck universal modular jacks helps in case of friction-locked contacting and allows an assembly without any additional installation effort.

Installation advantages:

- fits standard Keystone openings
- few pre-assembled parts, suitable for construction sites
- high mechanical stability and optimal shielding through zinc die cast housing
- terminals clearly labeled with color codes (A and B coding are of equal value)
- no tools needed for mounting due to mounting wedge
- 360°-screening
- quick one step mounting of strain relief and shielding connection
- for data cables Ø 6–10 mm
- for solid wires (AWG 24–22)
- for stranded wires (AWG 26)
- Module head can be connected up to 10 times without new cable assembly

- defined earthing connection via customary blade terminal
- bend-radius optimized cable feeding of 30°
- suitable for PoE+ and UPOE
- RJ11/12-protected against mismatching
- minimum 750 insertion cycles
- built-in dust protection cap (removeable, if required, color exchangeable)
- for combination with design wall plates (TAE) of all well-known manufacturers of electrical installation material for single and double solutions
- triple flush mounting solution with special center plate
- 100 % quality-proof
- 25 years warranty
- made and tested in Germany

Fit for Future

Cat.6A-iso-Universal modules from Rutenbeck comply fully to the current highest data transmission product requirements according to ISO/IEC which therefore, fulfil the world-wide measurement requirements of data transmission links in combination with components with equal data transmission characteristics. Furthermore the higher requirements for PoE+ (Power over Ethernet) are also no problem for the Cat.6A-iso-Universal modules from Rutenbeck.

Of course, a terminal point for earthing has been provided in order to integrate the universal modular jack into the potential compensation.

„Made and tested“ in Germany

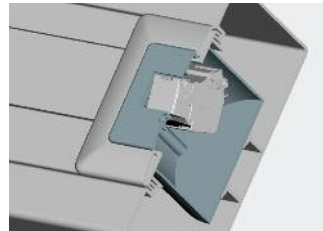
Rutenbeck products are being produced at a very high technological level. They have to pass in Germany a very strict quality tests. For the fulfillment of all performance parameters, Rutenbeck grants 25 years guarantee for these universal modular components!



Universal modular jack



Installations in different environments



trunking system

The 30°-cable entry of the universal modular jack prevents the data cable from touching the backside of the mounting box too soon. The cable can be laid without unacceptable kinks or too small bend radiuses.

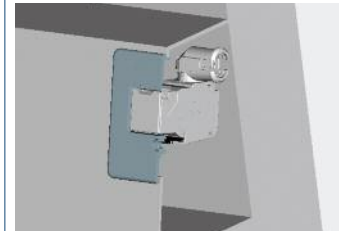
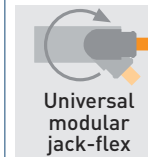


flush mounting

For flush mounting installation a special mounting adapter is available, which allows an accurate cable feeding from the top or bottom, even in difficult situations where only very limited space is available. In order to accommodate the extra cable without bending the cable too much, a twin chamber mounting box should be installed.

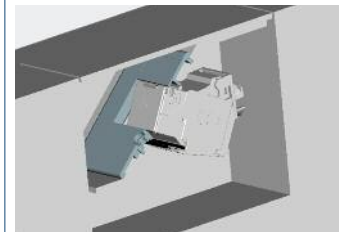


Universal modular jack-flex



baseboard ducts

With a straight cable entry, which can be change up to 360° if necessary – (cable entry from the back, front or from both sides) the universal modular jack-flex is perfect for very tight installation environments like baseboard ducts, module 45 systems, or in room-, table- or energy columns.

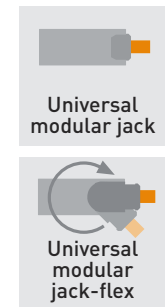


under floor

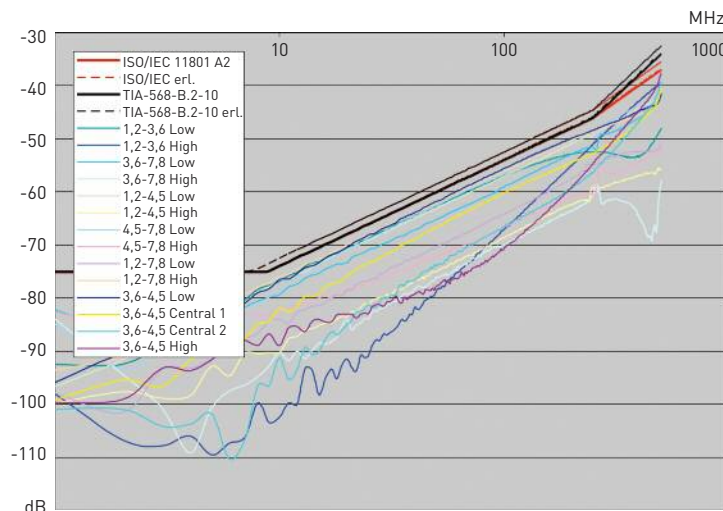
In under floor applications the cable will be led almost parallel to the bottom to the back, because of the bend radius optimized cable feeding. Perfect for small installation situation.

Technical data for shielded
UM-Cat.6A-iso- and UMflex-
Cat.6A-iso-components



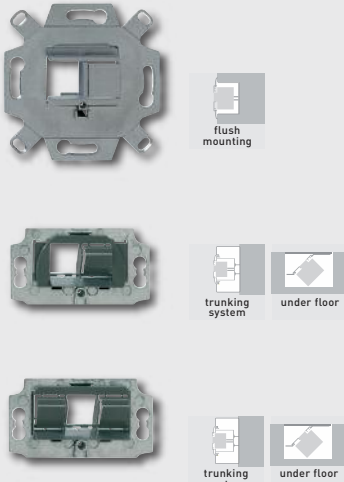

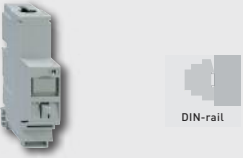
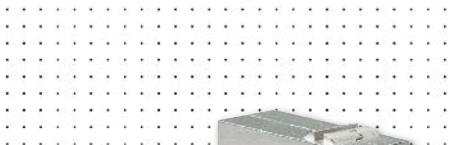




Mechanical characteristics	
General	
Housing of shielding	zinc die cast
Connection of cable shielding/ strain relief	360°-contacting, contacting bow for data cable Ø 6–10 mm, strain relief via cable tie
Ambient temperature	-40 °C bis +70 °C
Class according to EN 60529	IP21
Miscellaneous	free from halogen
Connector/outlet	
Design	DIN EN 60603-7-51
Connection technique	
Solid wire	IDC terminals for wires Ø 0.51–0.63 mm, AWG 24–22, outer diameter 0.7–1.6 mm at PE, 1 wire each contact, maximum connections 10 times (at the same or larger cross-section)
Stranded wire	IDC terminals for wires 0.13–0.22 mm ² , AWG 26 (PE-Foamskin) – AWG 24 (PE-solid), outer diameter 0.9–1.1 mm at PE, 1 wire each contact, maximum connections 10 times (at the same or larger cross-section)
Assembly	flexible printed circuit board made of polyimid with mechanical spring elements (patented)
Contact material/-surface	1,5 µm Ni/0,8 µm Au
Material housing	PBT
Life (insertion and withdrawals)	≥ 750 cycles with plugs according to IEC 60 603-7, RJ11/12-protected against mismatching
Electrical characteristics	
Voltage	72 V DC, suitable for TNV circuits, according to EN 60 950-1:2011-01
Operation current	500 mA, at 50 °C ambient temperature
PoE-compliant	suitable for PoE+ (Power over Ethernet) according to IEEE 802.3at
Voltage withstand	1000 V (contact – contact), 1500 V (contact – housing)
Isolation resistance	≥ 500 MΩ
Contact resistance	signal contact: 20 mΩ, shielding contact: 100 mΩ
Color code	T568A and T568B according to TIA/EIA-568-B.2
Transmission characteristics	
ISO/IEC 11801 DIN EN 50173-1 DIN EN 60 603-7-51	Cat.6 _A , shielded 500 MHz, shielded






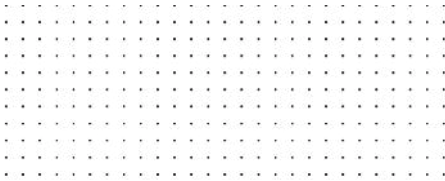

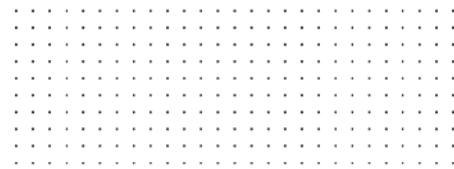
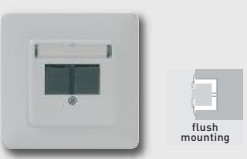
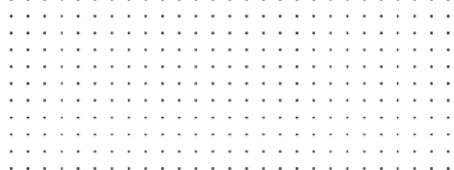
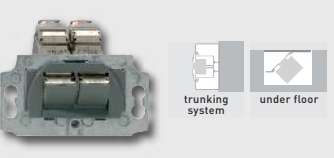
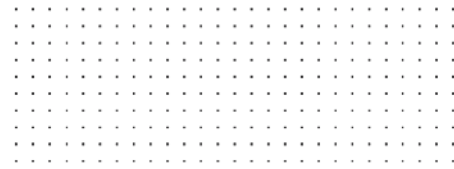
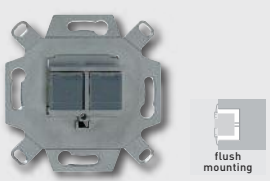
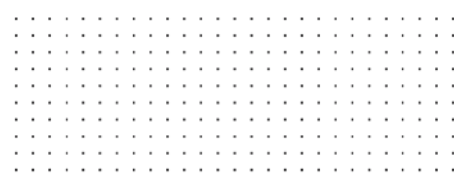

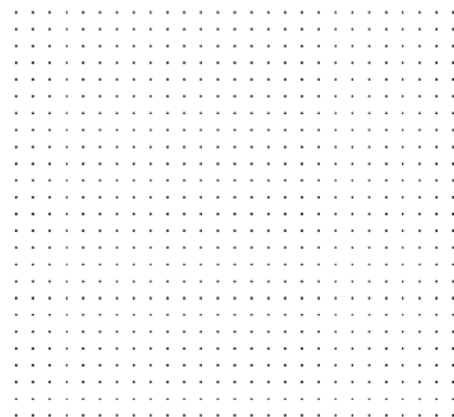
Test- and approval marks



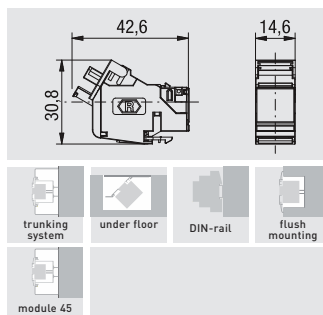
Extended NEXT
for 10-Gigabit-Ethernet
(typical values according
to ISO/IEC)

Overview modular components (construction kit system)		
<p>Modular connecting hardware Cat.6A iso</p>	 <p>Cat.6A iso Universal modular jack</p> <p>UM-Cat.6A iso A 139 003 04 Universal modular jack, keystone variant</p>	 <p>Cat.6A iso Universal modular jack-flex</p> <p>UMflex-Cat.6A iso A 139 003 05* Universal modular jack, with flexible cable entry</p>
 <p>flush mounting trunking system under floor</p>	<p>UM-UMA 2 Up*** 2-way 139 000 04 Flush mounting adapter, break off mounting ring can be converted into mounting bracket, without universal modular jacks</p> <p>UM-MA 2 Up**, *** 2-way 139 000 01 Flush mounting adapter, without universal modular jacks</p> <p>UM-MA 3 Up**, *** 3-way 139 000 02 Flush mounting adapter, without universal modular jacks</p>	<p>UM-MA 2 Up**, *** 2-way 139 000 01 Flush mounting adapter, without universal modular jacks</p> <p>UM-MA 3 Up**, *** 3-way 139 000 02 Flush mounting adapter, without universal modular jacks</p>
 <p>surface mounting</p>	<p>UMflex-ApG rw*, ** 3-way 139 115 01 Surface mounting housing, without universal modular jacks, cable entry only from top</p>	<p>UMflex-ApG rw*, ** 3-way 139 115 01 Surface mounting housing, without universal modular jacks, cable entry from all sides</p>
 <p>DIN-rail</p>	<p>UM-MA REG 1-way 139 000 03 DIN-rail mounting adapter, 1 DIN unit wide, without universal modular jack</p>	
	<p>PP-UM A-24/1 ** 24-way 239 000 00 Patchpanel, 19"/1 U, for direct mounting, without universal modular jacks</p>	 <p>Cat.6-couplings 139 003 60 139 003 70 page 14</p>
 <p>surface mounting</p>	<p>PP-UM A-6 Ap** 6-way 239 101 06 surface mounting-patch panel, without universal modular jacks</p> <p>PP-UM A-12 Ap** 12-way 239 101 16 surface mounting-patch panel, without universal modular jacks</p> <p>CP-UM A-12 Ap** 12-way 239 101 12 Consolidation point, without universal modular jacks</p>	 <p>Multimedia patch panel- MM Ap 239 101 18- page 21.</p>

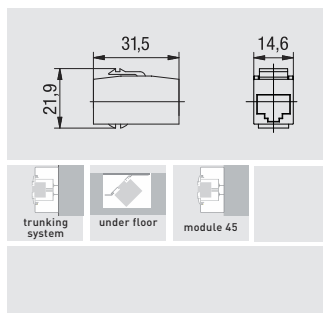
Overview modular components (complete version)

<p>Modular connecting hardware Cat.6A iso</p>	<p>Cat.6A iso</p>  <p>Universal modular jack</p> <p>UM-Cat.6A iso A 139 003 04 Universal modular jack, Keystone variant</p>	<p>Cat.6A iso</p>  <p>Universal modular jack-flex</p> <p>UMflex-Cat.6A iso A 139 003 05* Universal modular jack, with flexible cable entry</p>									
 <p>surface mounting</p>		<table border="1"> <thead> <tr> <th colspan="2">Ap rw*</th> </tr> </thead> <tbody> <tr> <td>2-way</td> <td>139 111 020*</td> </tr> <tr> <td>3-way</td> <td>139 111 030*</td> </tr> </tbody> </table>	Ap rw*		2-way	139 111 020*	3-way	139 111 030*			
Ap rw*											
2-way	139 111 020*										
3-way	139 111 030*										
 <p>trunking system under floor</p>	<table border="1"> <thead> <tr> <th></th> <th>Up</th> <th>Up rw*</th> </tr> </thead> <tbody> <tr> <td>2-way</td> <td>139 102 070</td> <td>139 112 070</td> </tr> <tr> <td>3-way</td> <td>139 102 100</td> <td>139 112 100</td> </tr> </tbody> </table>		Up	Up rw*	2-way	139 102 070	139 112 070	3-way	139 102 100	139 112 100	
	Up	Up rw*									
2-way	139 102 070	139 112 070									
3-way	139 102 100	139 112 100									
 <p>flush mounting</p>	<table border="1"> <thead> <tr> <th></th> <th>Up</th> <th>Up rw*</th> </tr> </thead> <tbody> <tr> <td>2-way</td> <td>139 102 040</td> <td>139 112 040</td> </tr> </tbody> </table> <p>break off mounting ring can be converted into mounting bracket</p>		Up	Up rw*	2-way	139 102 040	139 112 040				
	Up	Up rw*									
2-way	139 102 040	139 112 040									
 <p>trunking system under floor</p>	<table border="1"> <thead> <tr> <th></th> <th>Up 0</th> </tr> </thead> <tbody> <tr> <td>2-way</td> <td>139 104 070</td> </tr> <tr> <td>3-way</td> <td>139 104 100</td> </tr> </tbody> </table>		Up 0	2-way	139 104 070	3-way	139 104 100				
	Up 0										
2-way	139 104 070										
3-way	139 104 100										
 <p>flush mounting</p>	<table border="1"> <thead> <tr> <th></th> <th>Up 0</th> </tr> </thead> <tbody> <tr> <td>2-way</td> <td>139 104 040</td> </tr> </tbody> </table> <p>break off mounting ring can be converted into mounting bracket</p>		Up 0	2-way	139 104 040						
	Up 0										
2-way	139 104 040										
<p>patch panel for generic networks, or for direct mounting</p> 	<p>Cat.6A iso</p> <table border="1"> <thead> <tr> <th></th> <th>PP-UM A 24/24/1</th> </tr> </thead> <tbody> <tr> <td>24-way</td> <td>239 101 000</td> </tr> </tbody> </table> <p>patch panel, 19"/1 U, for direct mounting, with 24 universal modular jacks</p>		PP-UM A 24/24/1	24-way	239 101 000						
	PP-UM A 24/24/1										
24-way	239 101 000										

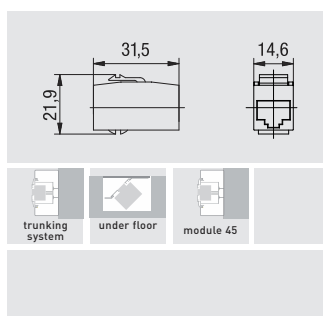
Universal modular jack
UM-Cat.6A iso,
shielded,
for generic networks



UM-Cat.6A iso A
139 003 04 ●
Universal modular jack,
suitable for standard
Keystone openings,
15 x 31 x 43 mm, 27 g

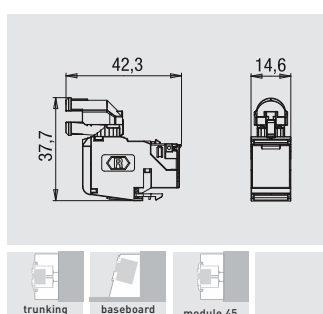


Cat.6 coupling
139 003 60 ●
coupling class E,
suitable for standard
keystone openings,
15 x 22 x 32 mm, 22 g

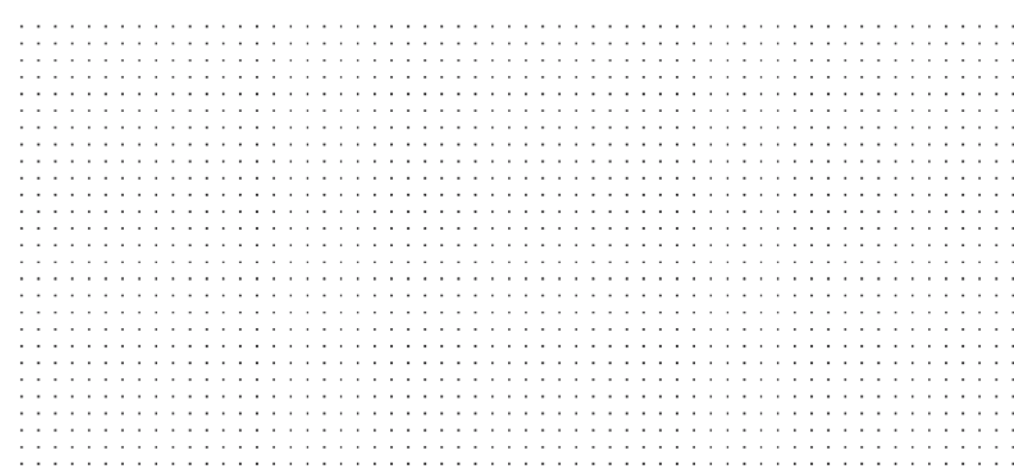


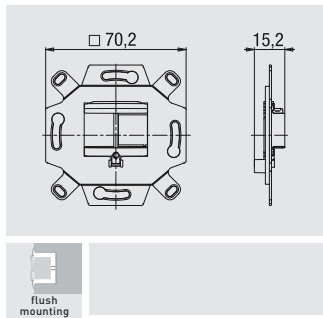
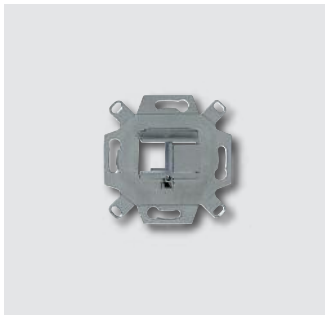
Cat.6 Angular coupling
139 003 70 ●
coupling class E_A,
with angular outlet 90°,
suitable standard keystone
openings,
15 x 22 x 36 mm, 22 g

Universal modular jack-flex
UMflex-Cat.6A iso,
shielded,
for generic networks



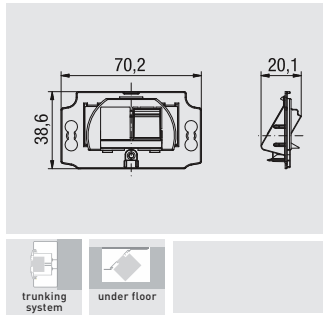
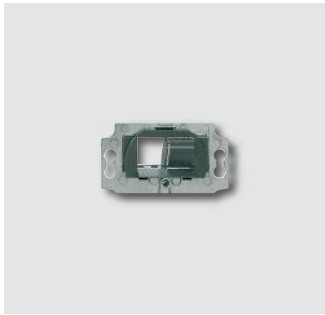
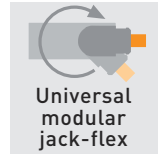
UMflex-Cat.6A iso A
139 003 05* ●
Universal modular jack,
with flexible cable entry,
for special installation situations,
suitable for standard
Keystone openings,
15 x 38 x 42 mm, 27 g



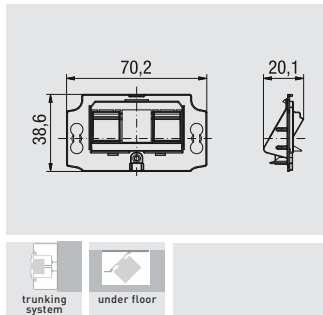


UM-UMA 2 Up
139 000 04 ●
 Flush mounting adapter, 2-way,
 for UM-Cat.6A iso A and UM-
 real.Cat.6 U A, for mounting
 in flush mounting jacks,
 for customary TAE center plates,
 for combination with ZSt UM-MA
 2 and wall plate AP,
 break off mounting ring can be
 converted into mounting bracket,
 70 x 70 x 15 mm, 20 g

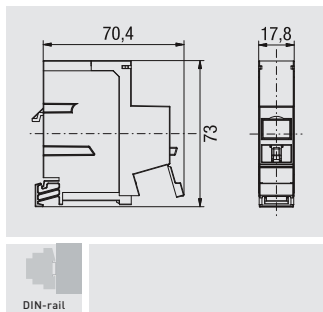
Mounting adapters for
 UM-Cat.6A iso,
 UMflex-Cat.6A iso,
 shielded



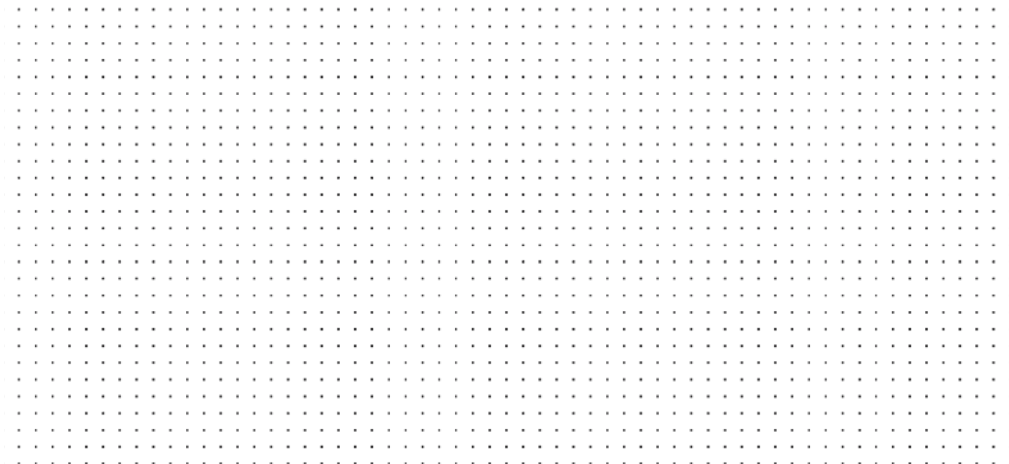
UM-MA 2 Up
139 000 01 ●
 Mounting adapter, 2-way,
 for all universal modular jacks
 and the Cat.6-module coupler,
 for customary TAE center plates,
 for combination with ZSt UM-MA 2
 and wall plate AP,
 70 x 39 x 20 mm, 20 g



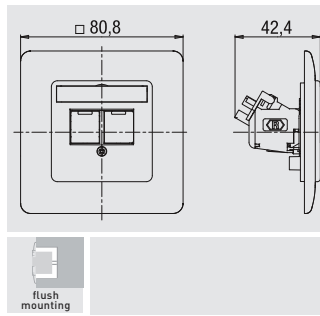
UM-MA 3 Up
139 000 02 ●
 Mounting adapter, 3-way,
 for all universal modular jacks
 and the Cat.6-module coupler,
 for center plates ZSt UM-MA 3
 and wall plates AP,
 70 x 39 x 20 mm, 20 g



UM-MA REG
139 000 03 ●
 DIN-rail mounting adapter,
 for holding an universal modular
 jack UM-Cat.6A iso A,
 UM-Cat.6A iso U A onto a DIN rail,
 light grey (similar RAL 7035),
 18 x 73 x 70 mm = 1 DIN unit wide,
 25 g



Modular jacks with
UM-Cat.6A iso,
shielded,
for generic networks



UM-Cat.6A iso-UMD 2 Up

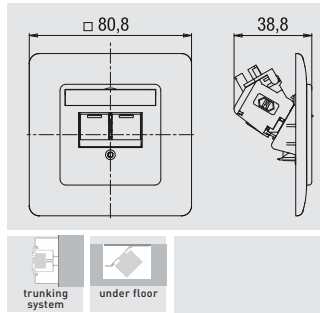
139 102 040

Cat.6A iso modular jack, 2-way,
with center plate, wall plate and
2 universal modular jacks, for flush
mounting, break off mounting ring can
be converted into mounting bracket,
pearl white (similar RAL 1013),
80 x 80 x 42 mm, 91 g

UM-Cat.6A iso-UMD 2 Up rw

139 112 040

pure white (similar RAL 9010)



UM-Cat.6A iso-MD 2 Up

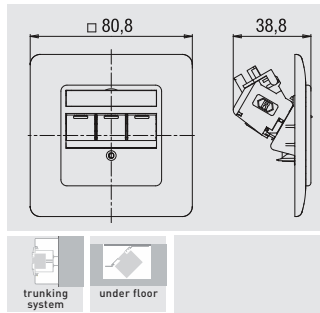
139 102 070

Cat.6A iso modular jack, 2-way,
with center plate, wall plate and
2 universal modular jacks,
pearl white (similar RAL 1013),
80 x 80 x 39 mm, 91 g

UM-Cat.6A iso-MD 2 Up rw

139 112 070

pure white (similar RAL 9010)



UM-Cat.6A iso-MD 3 Up

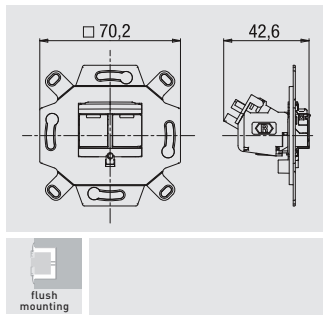
139 102 100

Cat.6A iso modular jack, 3-way,
with center plate, wall plate and
3 universal modular jacks,
pearl white (similar RAL 1013),
80 x 80 x 39 mm, 118 g

UM-Cat.6A iso-MD 3 Up rw

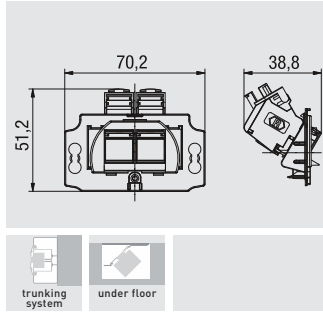
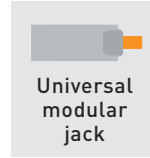
139 112 100

pure white (similar RAL 9010)

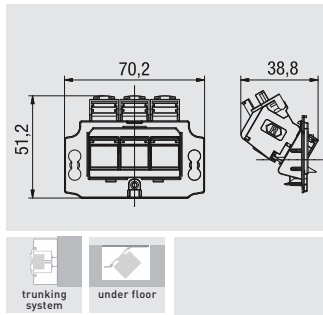


UM-Cat.6A iso-UMD 2 Up 0
139 104 040 ●
 Cat.6A iso modular jack, 2-way,
 with 2 universal modular jacks,
 for combination with customary
 TAE center plates,
 for flush mounting, for combination
 with ZSt UM-MA 2 and wall
 plate AP, break off mounting
 ring can be converted into mounting
 bracket,
 70 x 70 x 43 mm, 74 g

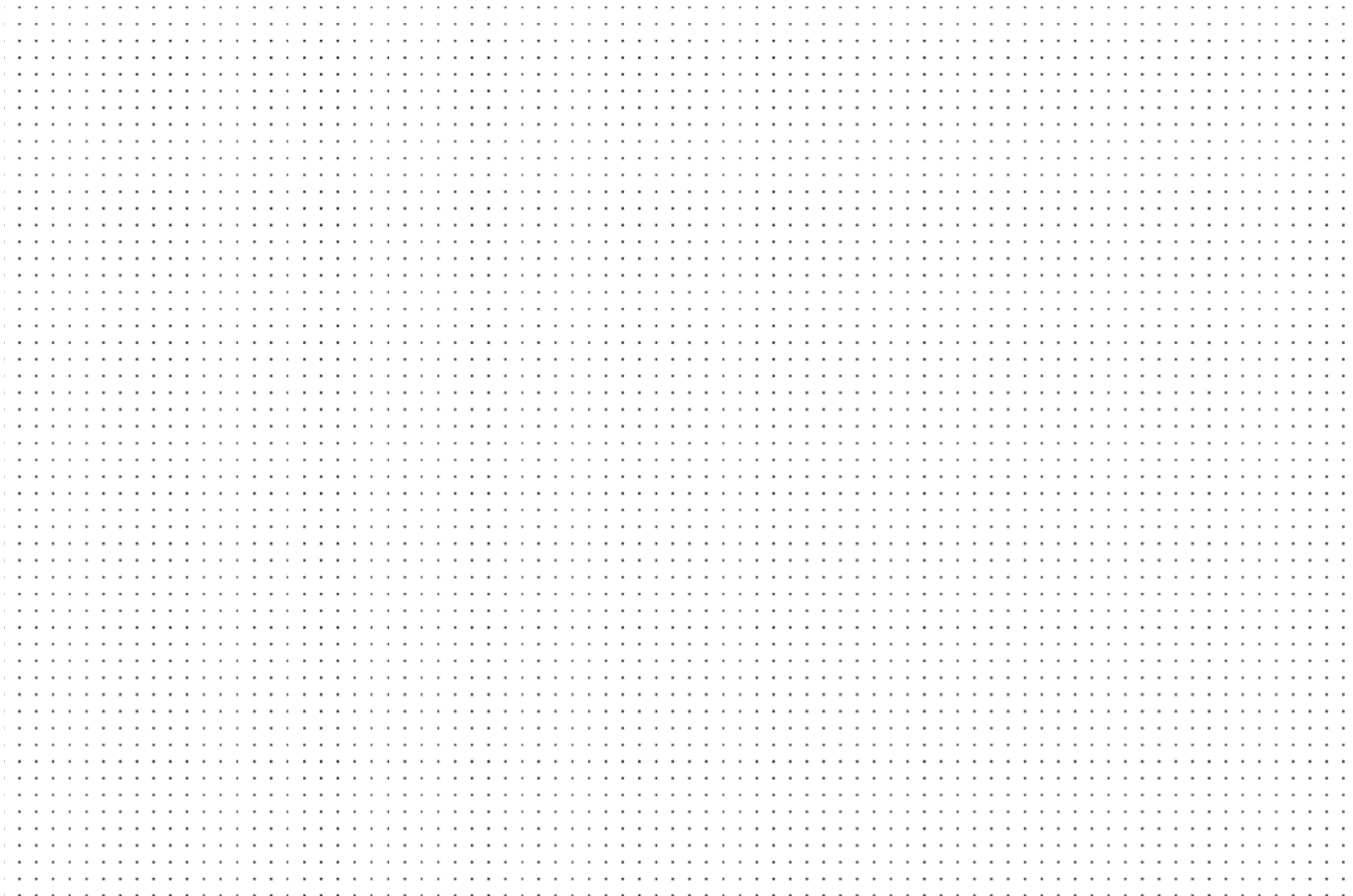
Modular jacks with
 UM-Cat.6A iso,
 shielded,
 for generic networks



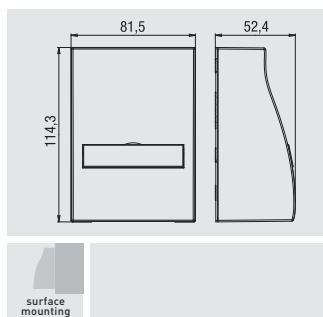
UM-Cat.6A iso-MD 2 Up 0
139 104 070 ●
 Cat.6A iso modular jack, 2-way,
 with 2 universal modular jacks,
 for combination with customary
 TAE center plates, for combination
 with ZSt UM-MA 2 and wall
 plate AP,
 70 x 51 x 39 mm, 74 g



UM-Cat.6A iso-MD 3 Up 0
139 104 100 ●
 Cat.6A iso modular jack, 3-way,
 with 3 universal modular jacks,
 for ZSt UM-MA 3 and
 wall plate AP,
 70 x 51 x 39 mm, 101 g

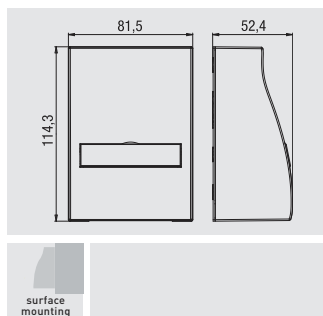


Modular jacks-flex, surface mounting, with UMflex-Cat.6A iso, shielded, for generic networks



UMflex-Cat.6A iso Ap 2 rw

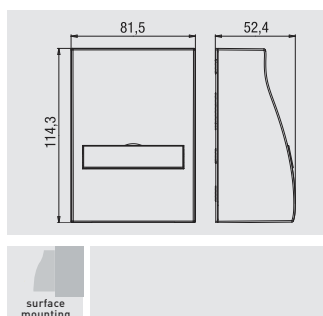
139 111 020* ●
Surface mounting-jack Cat.6A iso, modular, 2-way, with 2 universal modular jacks UMflex-real.Cat.6a A, cable entry from all sides, can be installed side by side, pure white (similar RAL 9010), 82 x 114 x 52 mm, 199 g



UMflex-Cat.6A iso Ap 3 rw

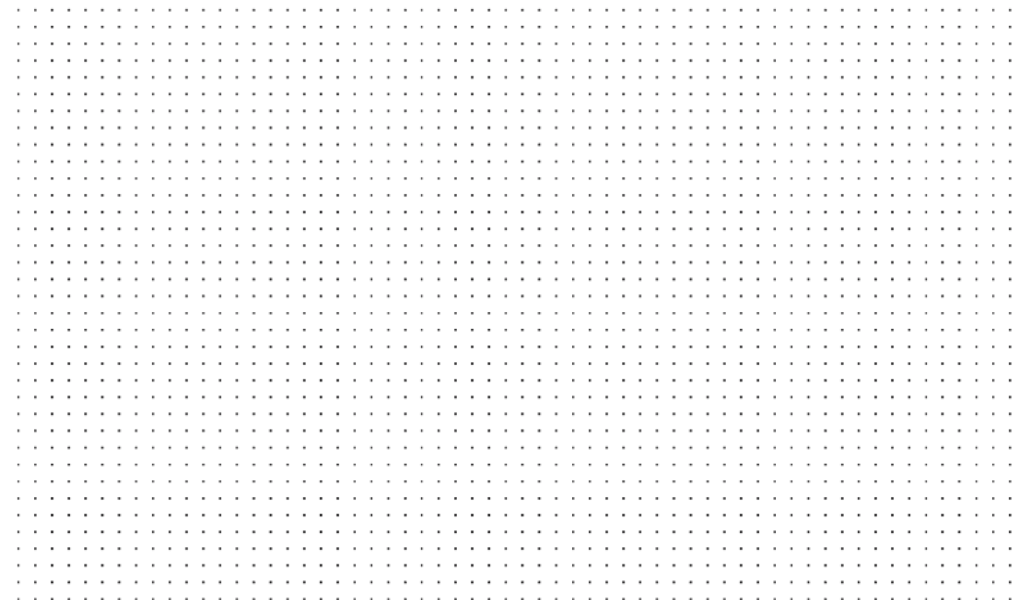
139 111 030* ●
Surface mounting-jack Cat.6A iso, modular, 3-way, with 3 universal modular jacks UMflex-real.Cat.6a A, cable entry from all sides, can be installed side by side, pure white (similar RAL 9010), 82 x 114 x 52 mm, 226 g

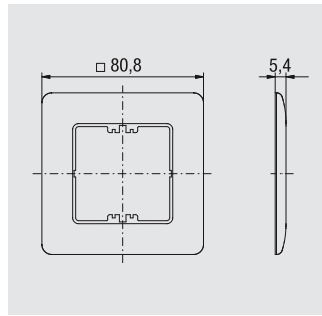
Surface mounting housing, modular, for UM-Cat.6A iso, UMflex-Cat.6A iso, shielded



UMflex-ApG rw

139 115 01 ●
Surface mounting housing, modular, for up to 3 universal modular jacks and the Cat.6 coupling, pure white (similar RAL 9010), 82 x 114 x 52 mm, 145 g



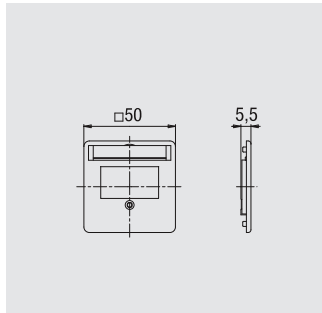
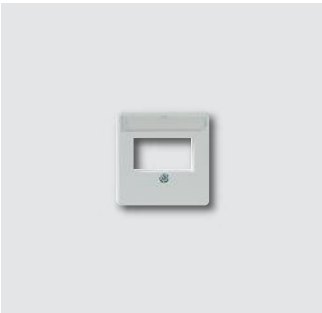


AP
100 100 01 ●
Wall plate,
pearl white (similar RAL 1013),
80 x 80 x 5 mm, 12 g

AP rw
100 100 51 ●
pure white (similar RAL 9010)

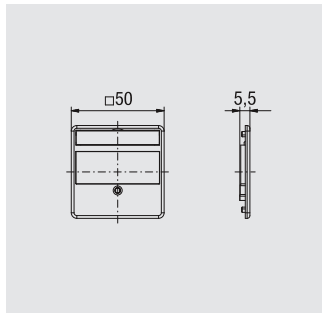
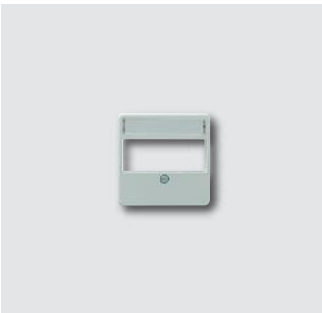
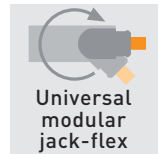
Wall plates, center plates and
accessory for
UM-Cat.6A iso,
UMflex-Cat.6A iso,
shielded

Wall plates and center plates
made of ABS-plastic, available in
pearl white (similar RAL 1013)
pure white (similar RAL 9010)



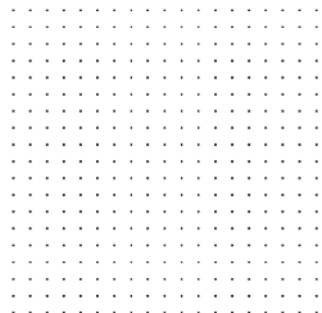
ZSt UM-MA 2
139 100 03 ●
Center plate for 3 outlets TAE,
with labeling strip,
pearl white (similar RAL 1013),
50 x 50 x 6 mm, 6 g

ZSt UM-MA 2 rw
139 100 53 ●
reinweiß (ähnlich RAL 9010)



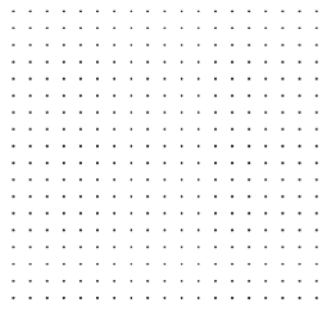
ZSt UM-MA 3
139 100 02 ●
Center plate for 3 outlets RJ45,
with labeling strip,
for UM-MA 3 Up,
pearl white (similar RAL 1013),
50 x 50 x 6 mm, 6 g

ZSt UM-MA 3 rw
139 100 52 ●
pure white (similar RAL 9010)



UA
392 000 02 ●
Universal wire stripping tool,
for data cable Ø 2–10 mm,
shielded or unshielded,
functions: cutting and stripping
of round and flat cables,
110 x 50 x 12 mm, 45 g

Accessory for
UM-Cat.6A iso,
UMflex-Cat.6A iso,
shielded



EPS
392 000 03 ●
Electronic-precision-cutting tool,
155 x 95 x 15, 80 g

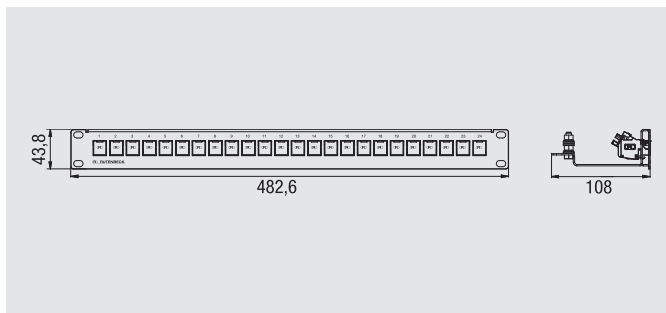
Patch panel for holding universal modular jacks



PP-UM A-24/1

239 000 00 ●

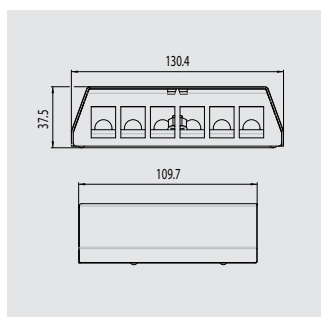
Patch panel holding up to 24 universal modular jacks UM-Cat.6A iso A, UM-Cat.6A iso U A and KMK-keystone modules, for direct mounting, 19"/1 U, front color: light grey (similar RAL 7035), 483 x 44 x 108 mm, 1100 g



PP-UM-Cat.6A iso-24/24/1

239 101 000 ●

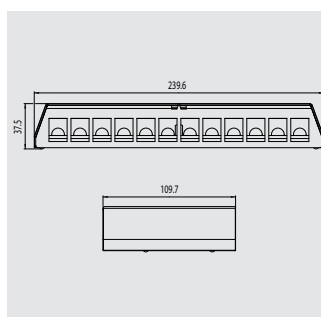
Patch panel holding up to 24 universal modular jacks UM-Cat.6A iso A, UM-Cat.6A iso U A and KMK-keystone modules, or direct mounting, 19"/1 U, front color: light grey (similar RAL 7035), 483 x 44 x 108 mm, 1690 g



PP-UM A-6 Ap

239 101 06 ●

Patch Panel for holding up to 6 universal modular jacks UM-Cat.6A, UM-Cat.6A iso U A and KMK-keystone modules, for desktop- or wall mounting, Din-rail mounting with DIN-rail mounting adapter 221 012, fully shielded, stable metal design quick mounting with latching lid light grey (similar RAL7035) 131 x 38 x 110 mm , 405 g

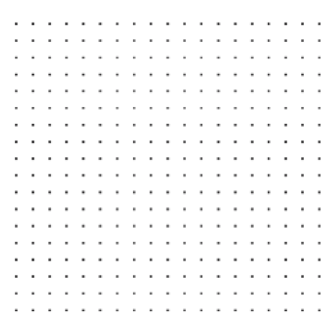


PP-UM A-12 Ap

239 101 16 ●

Patch Panel for holding up to 12 universal modular jacks UM-Cat.6A, UM-Cat.6A iso U A and KMK-keystone modules, for desktop- or wall mounting, DIN-rail mounting with DIN-rail mounting adapter 221 012, fully shielded, stable metal design quick mounting with latching lid light grey (similar RAL7035) 240 x 38 x 110 mm , 710 g

Consolidation point



CP-UM A-12 Ap

239 101 12 ●

Consolidation point holding up to 12 universal modular jacks UMCat. 6A iso A, UM-Cat.6A iso U A and KMK-keystone modules, swivel lid for the connection of patch cords, with dust protection brushes, black (similar RAL 9005), 236 x 303 x 56 mm, 2150 g



MULTIMEDIA PATCH PANEL

In times where the digital multimedia world has become more significant in private homes and surroundings, it is of great importance to have a clean cut cabling and connection between all devices for different applications. In order to meet these high standards, there must be sufficient connection jacks provided in case of new installations or retrofitting.

A central distributor should not only represent the starpoint of the home cabling but must also host the active devices which are necessary for the different applications. Basic devices like the router, its service functions and indications as well as the WiFi antennas should always be freely accessible. Having an elegant design is very important for the overall appearance of a room in many environments.

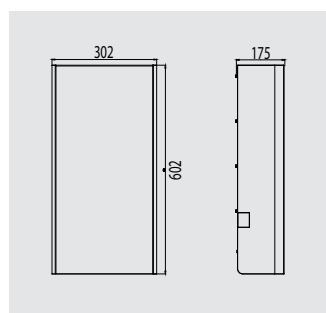
The new Rutenbeck Multimedia Patch Panel fulfills all these requirements to its fullest extent.

Flexible on „3 levels“

The Rutenbeck Multimedia Patch Panel consists of base plate and lid and is suitable for wall mounting. The base plate is designed for the installation of various devices. For the best possible flexibility two mounting rails should be attached first. Active devices such as switches or antenna amplifiers will be mounted on these rails. If the bottom level is completely equipped, a second mounting level can be set up by means of a perforated steel plate. The devices can be mounted on the perforated steel plate at any point. The mounting space can be increased considerably with this second mounting level. For instance an active antenna amplifier with 8 connections including cabling can be installed in the lower section. The upper section could be used for the switches of a home network. After the installation of the lid, the router will be mounted on the "3. level" on frontside of the lid. The fastening screws of the router can be mounted with a slotted hole at any suitable distance in the lid. Now, the router can be attached. The installation on the lid is necessary in order not to restrict the function of the WiFi antenna.

For fixed and flexible cabling

The Rutenbeck Multimedia Patch Panel has 15 keystoneopenings at its bottom side and can be equipped with different keystone modules from the product branches "Data technology" and "Multimedia". They form the interface for the connection of the fixed external cabling (antenna, network etc.). The keystoneopenings are positioned on level 2, above the base plate. After finishing the installation work, the lid will be easily attached being the final working step. As protection against manipulation and theft, the lid can be secured with a conventional padlock. The robust metal design of the Multimedia Patch Panel protects the installed devices against damages.

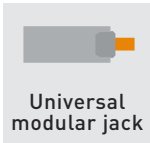


MM Ap 239 101 18 ●
 Multimedia Patch Panel for holding up to 15 Universal-modular jacks UM-Cat. 6A iso A, UM-Cat. 6A iso U A and KMK-Keystonemodules, as home distributor, for wall mounting, fully shielded metal design, slotted hole for router front mounting, pure white (similar RAL 9010) 302 x 602 x 175 mm, 6800 g

Multimedia patch panel, for holding communications adapter keystone-design (from page 81)



Accessories for PP-UM



PP-BK
239 100 01 ●
Sealing cover for PP-UM-openings, mousegrey (similar RAL 7005), 16 x 18 mm, 0,32 g



PP-SSK sw
235 100 02 ●
Retrofitting dust cover for patch panel and for all universal modular jacks from Rutenbeck, black (similar RAL 9005), 14 x 16 mm, 1 g

PP-SSK rw
235 100 07 ●
pure white (similar RAL 9010)

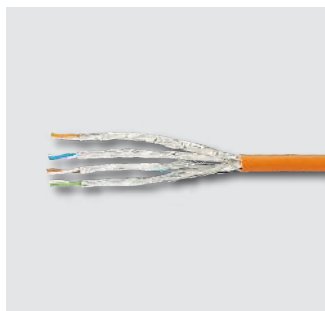


UA
392 000 02 ●
Universal wire stripping tool, for data cable Ø 2–10 mm, shielded or unshielded, functions: cutting and stripping of round and flat cables, 110 x 50 x 12 mm, 45 g



EPS
392 000 03 ●
Electronic-precision-cutting tool, 155 x 95 x 15, 80 g

Cat 7 data cable, shielded, for generic networks



NWK-S/FTP Cat.7 AWG 23
212 070 00 ●
Simplex cable, for the transmission of digital and analog speech-picture-, multi-media- and data signals up to class F (600 MHz) according to EN 50173-1 and ISO/IEC 11801, for CATV up to 862 MHz according to IEC 15018, Poe+ suitable, FRNC (flame retardant), LSOH (zero halogen), orange (similar RAL 2003), cable drum, 1.000 m, 60.000 g



PK Cat.6A iso 0,5 m grey
215 000 05 ●
Patch cord, Category 6_A,
Class E_A, shielded,
S/FTP, LSHF,
grey (similar RAL 7035),
500 mm, 45 g

PK Cat.6A iso 1,0 m grey
215 000 10 ●
1000 mm, 85 g

PK Cat.6A iso 2,0 m grey
215 000 20 ●
2000 mm, 170 g

PK Cat.6A iso 3,0 m grey
215 000 30 ●
3000 mm, 255 g

PK Cat.6A iso 5,0 m grey
215 000 50 ●
5000 mm, 425 g

PK Cat.6A iso 10,0 m grey
215 000 00 ●
10000 mm, 850 g

Cat.6A-iso-Patch-cord,
shielded,
for generic networks



PKV Cat.6A iso 1,0 m grey
216 000 10 ●
Patch cord, Category 6_A,
Class E_A, shielded,
S/FTP, LSHF, lockable
grey (similar RAL 7035),
1000 mm, 80 g

PKV Cat.6A iso 2,0 m grey
216 000 20 ●
2000 mm, 120 g

PKV Cat.6A iso 3,0 m grey
216 000 30 ●
3000 mm, 170 g

PKV Cat.6A iso 5,0 m grey
216 000 50 ●
5000 mm, 255 g

PKV Cat.6A iso 10,0 m grey
216 000 00 ●
10000 mm, 490 g



PKV S
392 000 11 ●
key,
for unlocking patch cords,
for PKV Cat.6A iso,
2 g

STP – Cat.6A iso, ClassEA iso
Compact connection technique, for generic networks

High quality materials as well as the standard conform design with outstanding data transmission characteristics, guarantee a safe data-transmission in all datatechnology applications.

The solid construction allows the use in every popular built-in situation, with only one product – universal and always accurate due to the variable cable entry from all directions.

High quality, cost effectiveness and perfect shielding are self-evident.

High performance assets

Cat.6A-iso-jacks from Rutenbeck comply fully to the current highest data transmission product requirements according to ISO/IEC 11801 for 500 MHz bandwidth (10 Gbit/s).

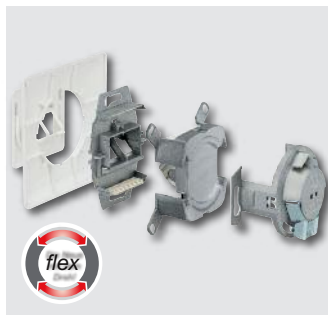
For the fulfillments of the performance parameter, Rutenbeck grants a 25 years guarantee for these products.

Power supply by the network

Jacks and panels completely fulfill the requirements of PoE+ (Power over Ethernet) according to IEEE 802.3at and therefore, allow the power supply of data-terminals, for example, IP-telephones or IP-cams directly through the network cable – in addition to the data! With this method you will not only save the power supply cable, respectively, the plug power supply for the terminal, you will also save the installation effort for the normally necessary power outlets.

Long term high performance guaranteed

Data-technology products from Rutenbeck are quality products "Made in Germany" certified according to ISO 9001.



Appropriate for all situations
The UAE-compact-universal-jacks

Whether surface mounting, duct systems or flush mounting, complying with standards, the flat universal design enables the use of this jack in many various installation areas.

The cable entry is flexible and can be adjusted to all installation needs. The size of the compact-universal-jack complies with all standards and requirements of conventional flush mounting jacks.



The assembly – fast, flexible and economical!

The complete installation of the jack requires only one screw. The cover parts can easily be latched, this saves valuable installation time.

The connection of the wires takes place from the front at the LSA-terminal strips. Therefore, the required length of the cable for the connection can be kept short.

If the space is extremely limited, a connection of the wires is even possible at the mounted jacks.

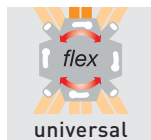
The Rutenbeck universal jacks can be combined with wall plates from all well-known manufacturers of electrical installation material.



Patch panel for generic networks

The patch panel represents the central connecting hardware of a network installation. In combination with the universal jacks, it enables the perfect setup of a structured cabling with optimal coordinated products.

High quality material guarantee for safe installation and data transmission.



Additional installation advantages are achieved by:

- high stability and optimal shielding through zinc die cast housing
- quick one step mounting of strain-relief and shielding connection
- few parts, suitable for construction sites
- complete connecting process with only one screw
- proven, connection safe LSA terminals
- quick mounting cover (latching)
- Terminals clearly labelled with color codes and numbers
- for combination with design wall plates of all well-known manufacturers of electrical installation
- universal, flexible cable entry (+/- 30°)
- RJ11/12-protected against mismatching
- min. 1000 cycles

Technical data for shielded Cat.6A iso and ClassEA iso - connecting hardware

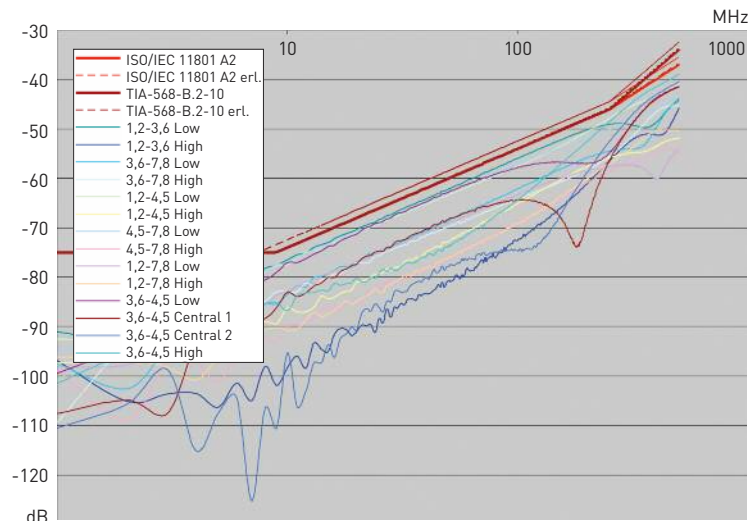
Mechanical characteristics Cat.6A iso, ClassEA iso - General	
Housing of shielding	zinc die cast
Connection of cable shielding/ strain relief	combined shielding and strain relief with flexible cable entry (+/- 30°)
Ambient temperature	-40 °C to +70 °C
Class according to EN 60 529	IP21
Miscellaneous	free from halogen
Connector/outlet Cat.6A iso, ClassEA iso	
Design Cat.6A iso	DIN EN 60 603-7-51
Design ClassEA iso	DIN EN 60 603-7-51
Connection technique	LSA-terminals for wires 0.4–0.63 mm Ø, AWG 26–22, outer diameter 0.7–1.6 mm at PE, 1 wire at each terminal, number of connections ≥ 50 x
Assembly Cat.6A iso	flexible printed circuit board made of polyimid with mechanical spring elements (patented)
Assembly ClassEA iso	flexible printed circuit board made of polyimid with mechanical spring elements (patented)
Contact material/-surface	1,5 µm Ni/0,8 µm Au
Material housing	PBT
Life (insertion and withdrawals)	
Cat.6A iso	≥ 1000 cycles
ClassEA iso	≥ 1000 cycles
} with plugs according to IEC 60 603-7	

Electrical characteristics Cat.6A iso, ClassEA iso	
Voltage	72 V DC, suitable for TNV circuits, according to DIN EN 60 950-1:2011-01
Operation current	500 mA, at 50 °C ambient temperature
PoE-compliant	suitable for PoE+ (Power over Ethernet) according to IEEE 802.3at
Voltage withstand	1000 V (contact – contact), 1500 V (contact – housing)
Isolation resistance	≥ 500 MΩ
Contact resistance	signal contact: 20 mΩ, shielding contact: 100 mΩ
Color code	T568A and T568B according to TIA/EIA-568-B.2

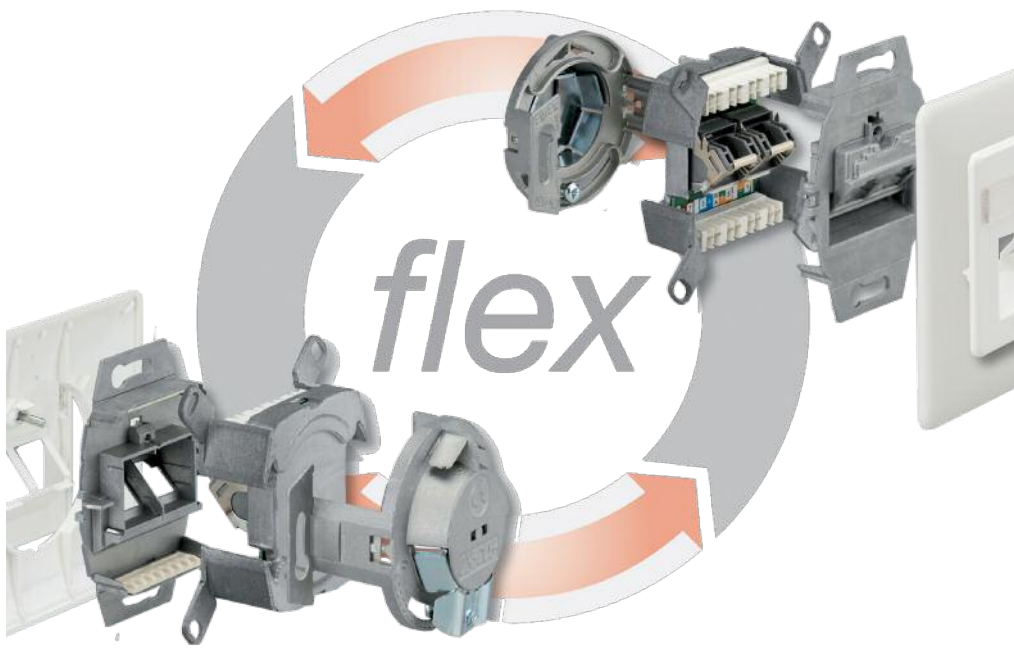
Transmission characteristics Cat.6A iso	
ISO/IEC 11801	Cat.6 _A , shielded
DIN EN 50173-1	
DIN EN 60 603-7-51	500 MHz, shielded

Transmission characteristics ClassEA iso	
ISO/IEC 11801	ClassE _A , shielded
DIN EN 50173-1	
DIN EN 60 603-7-51	500 MHz, shielded

Test- and approval marks



Extended NEXT
for 10-Gigabit-Ethernet
(typical values according
to ISO/IEC)



- suitable for HDBaseT-applications



- suitable for Cisco UPOE-standard



- Cat.6A iso-components
- ClassEA iso-components



- Cat.6A iso-components
- ClassEA iso-components

mix
+
match

- suitable for mix-and-match use
- free choice of cable
- high reserves at cable lengths ≤ 90 m



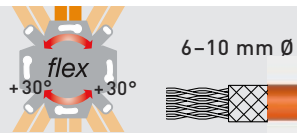
- suitable for PoE+ (Power over Ethernet) according to IEEE 802.3at



- for combination with design wall plates of all well-known manufacturers of electrical installation material for single and double flush mounting-solutions



- special socket construction guarantees reliable data transmission even if the RJ11/12 jack is inadvertently plugged in incorrectly
- at least 1000 insertion cycles with standardized RJ45 jacks (250 more than the standard requirement)



- universal, flexible cable entry (+/- 30°)
- for data cable with a diameter of 6-10 mm
- coding of terminals A and B in accordance with TIA/EIA-568-B.2
- shielding and strain relief in one step
- earthing terminal

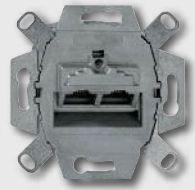


- made and tested in Germany
- 25 years guarantee

Overview compact components ClassEA iso and Cat.6A iso

Compact connecting hardware
ClassEA iso and
Cat.6A iso

...for the Channel-Link



ClassEA iso

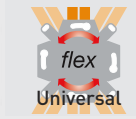


ClassEA iso-compact-jacks
for generic networks

...for the Permanent-Link



Cat.6A iso



Cat.6A iso-compact-jacks
for generic networks

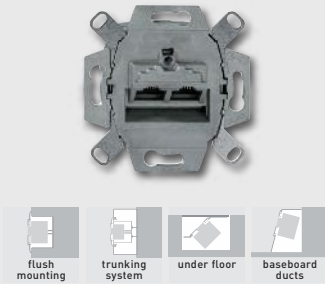


	Up	Up rw*
1-way	138 102 030	138 112 030
2-way	138 102 070	138 112 070

break off mounting ring
can be converted into
mounting bracket

	Up	Up rw*
1-way	136 102 030	136 112 030
2-way	136 102 070	136 112 070

break off mounting ring
can be converted into
mounting bracket



	Up 0
1-way	138 104 030
2-way	138 104 070

break off mounting ring
can be converted into
mounting bracket

	Up 0
1-way	136 104 030
2-way	136 104 070

break off mounting ring
can be converted into
mounting bracket

Patch panel
for generic networks



	PP-24/1
24-way	238 101 100

patch panel, 19"/1 U,
for direct mounting

	PP-24/1
24-way	236 101 100

patch panel, 19"/1 U,
for direct mounting

surface mounting-patch panel
for generic networks



	PP-ClassEA iso-6 Ap
6-way	238 101 06

	PP-Cat.6A iso-6 Ap
6-way	236 101 06

	PP-ClassEA iso-12 Ap
12-way	238 101 12

	PP-Cat.6A iso-12 Ap
12-way	236 101 12

Surface mounting housing for
flush mounting designs



	UAE-Cat. ApG
	135 105 03

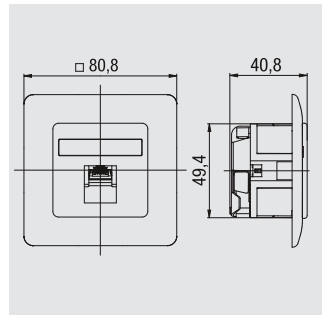
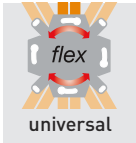
	UAE-Cat. ApG
	135 105 03

	UAE-Cat. ApG rw*
	135 115 03

	UAE-Cat. ApG rw*
	135 115 03

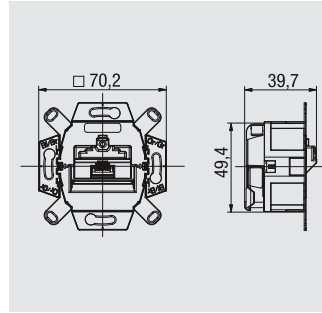
Compact-
universal-jacks

UAE-Cat.6A iso,
shielded,
for generic networks

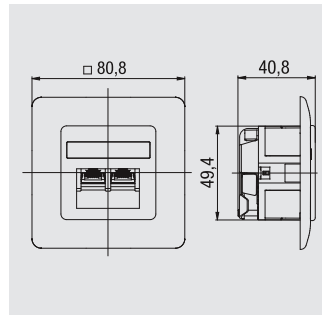


UAE-Cat.6A iso-8 Up
136 102 030 ●
with center plate
and wall plate, break off
mounting ring can be converted
into mounting bracket,
pearl white (similar RAL 1013),
80 x 80 x 41 mm, 183 g

UAE-Cat.6A iso-8 Up rw
136 112 030 ●
pure white (similar RAL 9010)

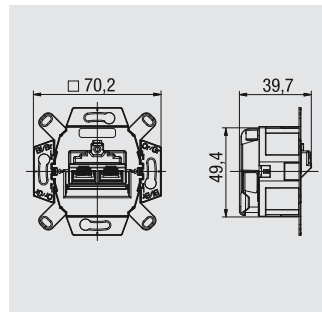


UAE-Cat.6A iso-8 Up 0
136 104 030 ●
break off mounting ring can be
converted into mounting bracket,
70 x 70 x 40 mm, 142 g

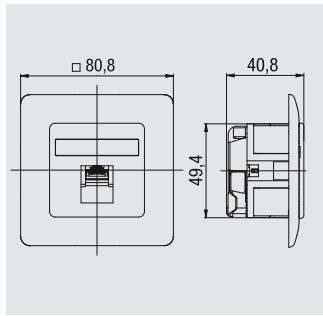


UAE-Cat.6A iso-8/8 Up
136 102 070 ●
with center plate and wall plate,
break off mounting ring can
be converted into mounting
bracket,
pearl white (similar RAL 1013),
80 x 80 x 41 mm, 186 g

UAE-Cat.6A iso-8/8 Up rw
136 112 070 ●
pure white (similar RAL 9010)



UAE-Cat.6A iso-8/8 Up 0
136 104 070 ●
break off mounting ring can be
converted into mounting bracket,
70 x 70 x 40 mm, 145 g

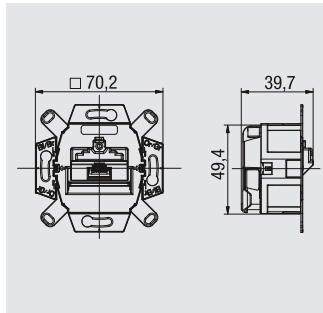
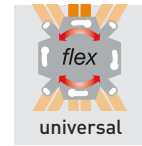


UAE-ClassEA iso-8 Up
138 102 030 ●
 with center plate and wall plate,
 break off mounting ring can be
 converted into mounting bracket,
 pearl white (similar RAL 1013),
 80 x 80 x 41 mm, 183 g

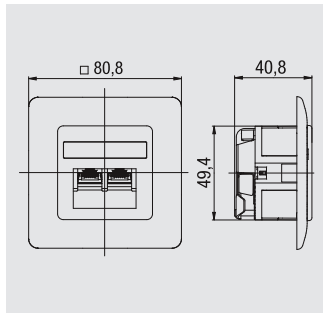
UAE-ClassEA iso-8 Up rw
138 112 030 ●
 pure white (similar RAL 9010)

Compact-
 universal-jacks

UAE-ClassEA iso,
 shielded,
 for generic networks

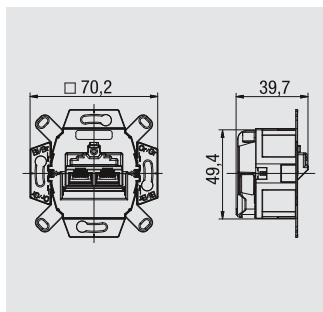


UAE-ClassEA iso-8 Up 0
138 104 030 ●
 break off mounting ring can be
 converted into mounting bracket,
 70 x 70 x 40 mm, 142 g



UAE-ClassEA iso-8/8 Up
138 102 070 ●
 with center plate and wall plate,
 break off mounting ring can be
 converted into mounting bracket,
 pearl white (similar RAL 1013),
 80 x 80 x 41 mm, 186 g

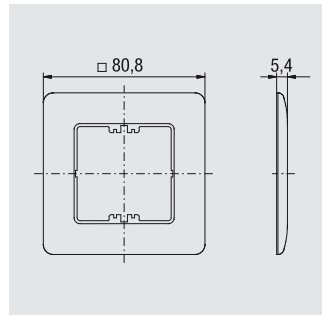
UAE-ClassEA iso-8/8 Up rw
138 112 070 ●
 pure white (similar RAL 9010))



UAE-ClassEA iso-8/8 Up 0
138 104 070 ●
 break off mounting ring can be
 converted into mounting bracket,
 70 x 70 x 40 mm, 145 g

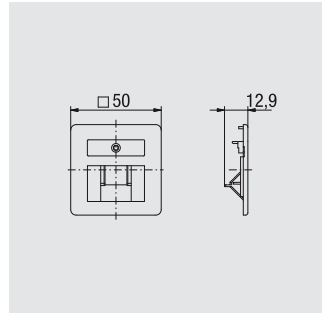
Wall plates, center plates and surface mounting housing for UAE-Cat.6A iso, UAE-ClassEA iso shielded AP, ZSt, AP V, ApG

Wall plates and center plates made of ABS-plastic, available in pearl white (similar RAL 1013) pure white (similar RAL 9010)



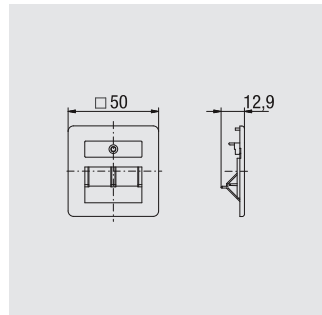
AP
100 100 01 ●
 Wall plate,
 pearl white (similar RAL 1013),
 80 x 80 x 5 mm, 12 g

AP rw
100 100 51 ●
 pure white (similar RAL 9010)



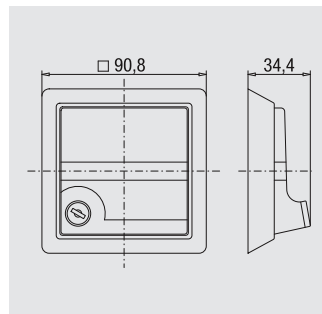
ZSt UAE-Cat. 8
135 100 02 ●
 Center plate with 1 outlet
 and inscription label,
 pearl white (similar RAL 1013),
 50 x 50 x 13 mm, 6 g

ZSt UAE-Cat. 8 rw
135 100 52 ●
 pure white (similar RAL 9010)

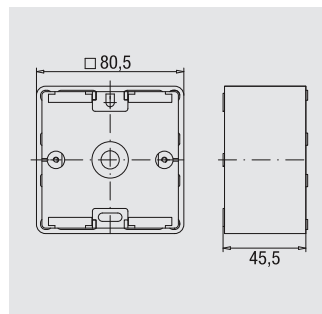


ZSt UAE-Cat. 8/8
135 100 03 ●
 Center plate with 2 outlets
 and inscription label,
 pearl white (similar RAL 1013),
 50 x 50 x 13 mm, 6 g

ZSt UAE-Cat. 8/8 rw
135 100 53 ●
 pure white (similar RAL 9010)



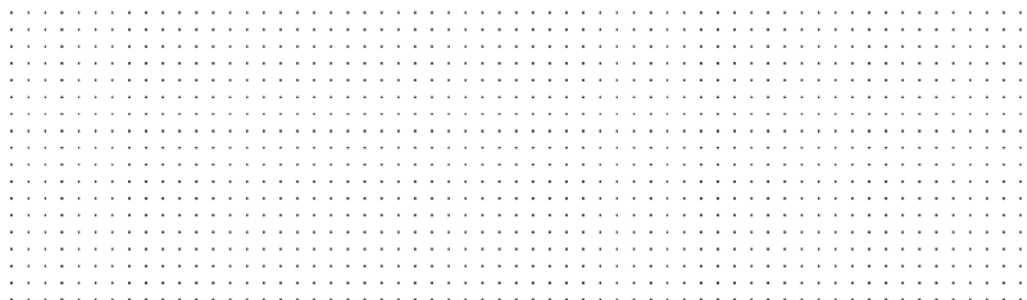
AP V rw
100 100 55 ●
 Wall plate,
 lockable, IP44,
 all keys individually locking for all
 Rutenbeck flush-mounting sets
 in connection with center plates
 50 x 50 x 13 mm,
 pearl white (similar RAL 1013),
 91 x 91 x 34 mm, 10 g

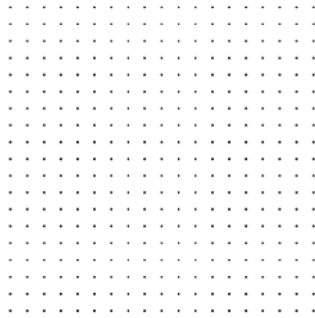


UAE-Cat. ApG
135 105 03 ●
 Surface mounting housing*,
 for flush mounting designs,
 pearl white (similar RAL 1013),
 80 x 80 x 46 mm, 93 g

UAE-Cat. ApG rw
135 115 03 ●
 pure white (similar RAL 9010)

*for standard-conform Cat.6 surface mounting-solutions in modular design see page 18

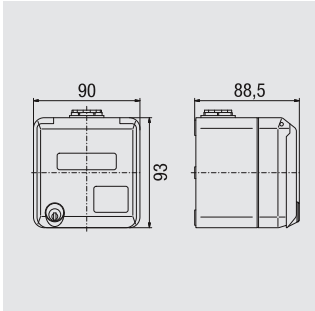




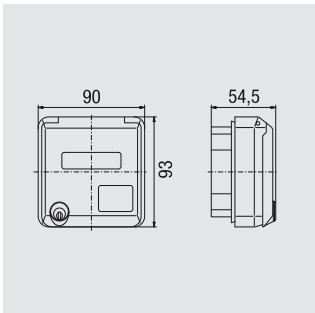
Schematic diagram of the mounting housings

IP44-mounting housing according to EN 60 529 for Rutenbeck-UAE-jacks with metal mounting bracket

The new industrial housing for UAE jacks has been designed, so that all Cat.-double-jacks can be installed without any problems. With this solution standard RJ45 patch cords can be used. After closing the lid the protection class IP44 is reached. The cable entry to the jacks can be done from the top or bottom.

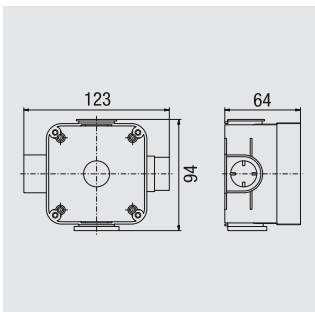


ApG-I g**
100 100 56 ●
Surface mounting housing, individually locking, for industrial use, IP44, for UAE-data jacks, light grey (similar RAL 7035), 90 x 93 x 89 mm, 260 g

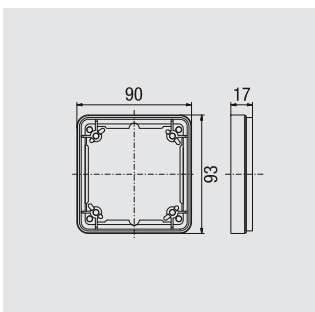


UpG-I g**
100 100 57 ●
Flush mounting housing, individually locking, for industrial use, IP44, light grey (similar RAL 7035), 90 x 93 x 55 mm, 157 g

UpG-I rw**
100 100 58 ●
pure white (similar RAL 9010)

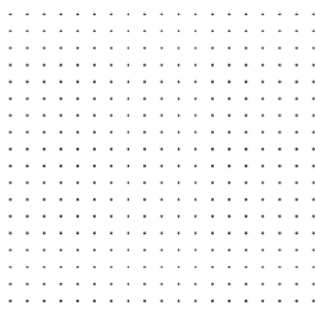


UpG-UpEd
100 100 62 ●
Wall box, for flush mounting housing UpG-I, light grey (similar RAL 7035), 123 x 94 x 64 mm, 97 g



UpG-DR g
100 100 60 ●
Wall box, for flush mounting housing UpG-I, light grey (similar RAL 7035), 90 x 93 x 17 mm, 27 g

UpG-DR rw
100 100 61 ●
pure white (similar RAL 9010)



ApG-KVS
100 100 59 ●
Cable gland, M 25, for surface mounting housing ApG-I, light grey (similar RAL 7035), 31 x 28 x 43 mm, 8 g

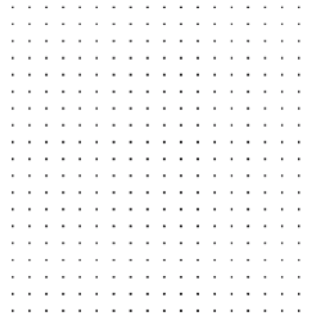
Performance features

- for Cat.6A iso- and Class EA-double jacks
- IP44, with conventional patch cords (when plugged in)
- Hit-proof according to DIN 18 032
- all membrane-cable glands M25 for two cables from 3–10 mm
- cable entry from top or bottom
- tamperproof by use of safety lock (identical keys upon request)
- labeling strips

Application areas

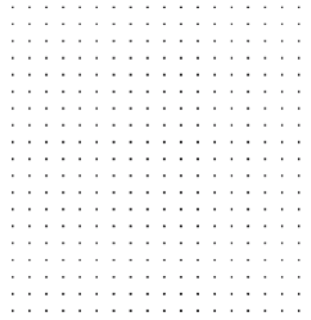
The mounting housings can be used in both private and industrial areas for the classical light switches and power sockets, e. g. terraces, outdoor storage places, workshops, marinas, stadiums, airports, industries area, control center, production-, research- and development areas.

Accessory for UAE-Cat.6A iso and UAE-ClassEA iso-jacks, shielded

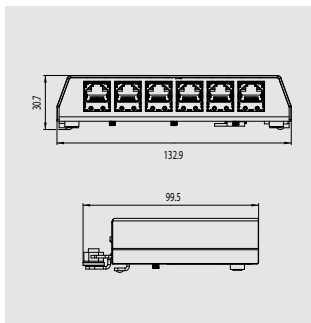


AW 2
392 000 00 ●
 Connection tool for LSA- and LSA-Plus-terminals, with pressure sensor and cutting blade, 38 x 177 x 21 mm, 80 g

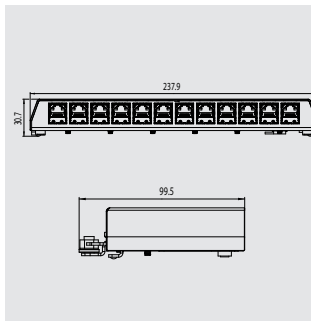
Cat.6A iso- and ClassEA iso-surface mounting patch panel shielded, for generic networks



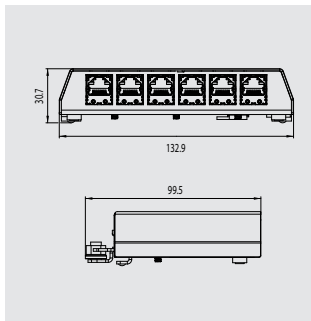
UAE-Cat. BS
135 105 05 ●
 Dummy plug for the protection of unused RJ45-outlets, black (similar RAL 9005), 15 x 15 x 20 mm, 2 g



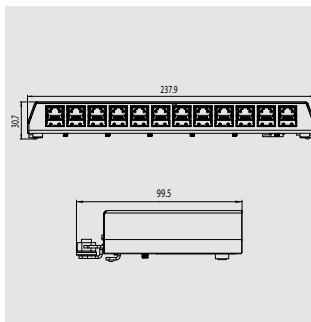
PP-Cat.6A iso-6 Ap
236 101 06 ●
 Category 6_A Patch Panel, 6 RJ45 outlets, for desktop- or wall mounting, DIN-rail mounting with DIN-rail mounting adapter 221 012, fully shielded, stable metal design, quick mounting with latching lid light grey (similar RAL7035) 133 x 31 x 98 mm, 360 g



PP-Cat.6A iso-12 Ap
236 101 12 ●
 Category 6_A Patch Panel, 12 RJ45 outlets, for desktop- or wall mounting, DIN-rail mounting with DIN-rail mounting adapter 221 012, fully shielded, stable metal design, quick mounting with latching lid light grey (similar RAL7035) 238 x 31 x 98 mm, 650 g



PP-ClassEA iso-6 Ap
238 101 06 ●
 Class E_A Patch Panel, 6 RJ45 outlets, for desktop- or wall mounting, DIN-rail mounting with DIN-rail mounting adapter 221 012, fully shielded, stable metal design, quick mounting with latching lid light grey (similar RAL7035) 133 x 31 x 98 mm, 360 g



PP-ClassEA iso-12 Ap
238 101 12 ●
 Class E_A Patch Panel, 12 RJ45 outlets, for desktop- or wall mounting, DIN-rail mounting with DIN-rail mounting adapter 221 012, fully shielded, stable metal design, quick mounting with latching lid light grey (similar RAL7035) 238 x 31 x 98 mm, 650 g



PP-Cat.6A iso-24/1
236 101 100 ●
Patch panel according to Category 6A, 19"/1 U, with 24 RJ45-ports, for direct mounting
front color:
light grey (similar RAL 7035),
482 x 44 x 114 mm, 1660 g

Cat.6A-iso-, ClassEA iso-patch panel, shielded, for generic networks

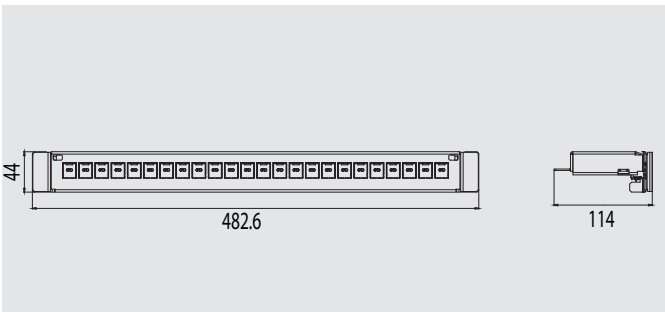


PP-ClassEA iso-24/1
238 101 100 ●
Patch panel according to Class EA, 19"/1 U, with 24 RJ45-ports, for direct mounting
front color:
light grey (similar RAL 7035),
482 x 44 x 114, 1660 g



PP-24/1 PoE**
235 103 02 ●
PoE-patch panel, Midspan solution, 12 x RJ45-Port data inputs, 12 x RJ45-Port outputs, data + PoE, Power supply according to IEEE 802.3af, Datarate 10/100 Mbit/s, Nominal operating voltage: 48 V DC, Power consumption: 4 A, for direct mounting, front color: light grey (similar RAL 7035), 482 x 44 x 114 mm, 1815 g

PoE-patch panel
PP-PoE



SV-PP 48 V PoE
235 103 03 ●
PoE-power supply for PP-24/1 PoE, Output power: 60 W, for up to 3 PoE-devices (class 0-3), 4 x necessary for complete set up of the panel, Operating voltage: 100-240 V-/50-60 Hz, black (similar RAL 9005), 130 x 60 x 32 mm, 475 g

Accessory for patch pane PP-Cat.6A iso and PP-ClassEA iso, shielded



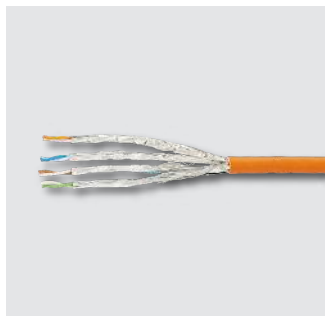
PP-SSK sw
235 100 02 ●
Dust cover for retrofitting, suitable for all patch panes universal modular jacks from Rutenbeck, grey (similar RAL 7005), 14 x 16 mm, 1 g

PP-SSK rw
235 100 07 ●
pure white (similar RAL 9010)



AW 2
392 000 00 ●
Connection tool for LSA- and LSA-Plus-terminals, with pressure sensor and cutting blade, 38 x 177 x 21 mm, 80 g

Cat 7 data cable, shielded, for generic networks



NWK-S/FTP Cat.7 AWG 23
212 070 00 ●
Simplex cable, for the transmission of digital and analog speech-picture-, multi-media- and data signals up to class F (600 MHz) according to EN 50173-1 and ISO/IEC 11801, for CATV up to 862 MHz according to IEC 15018, Poe+ suitable, FRNC (flame retardant), LSOH (zero halogen), orange (similar RAL 2003), cable drum, 1.000 m, 60.000 g



PK Cat.6A iso 0,5 m grey
 215 000 05 ●
 Patch cord, Category 6A,
 Class EA, shielded,
 S/FTP, LSHF,
 grey (similar RAL 7035),
 500 mm, 45 g

PK Cat.6A iso 1,0 m grey
 215 000 10 ●
 1000 mm, 85 g

PK Cat.6A iso 2,0 m grey
 215 000 20 ●
 2000 mm, 170 g

PK Cat.6A iso 3,0 m grey
 215 000 30 ●
 3000 mm, 255 g

PK Cat.6A iso 5,0 m grey
 215 000 50 ●
 5000 mm, 425 g

PK Cat.6A iso 10,0 m grey
 215 000 00 ●
 10000 mm, 850 g



PKV Cat.6A iso 1,0 m grey
 216 000 10 ●
 Patch cord, Category 6A,
 Class EA, shielded,
 S/FTP, LSHF, lockable
 grey (similar RAL 7035),
 1000 mm, 80 g

PKV Cat.6A iso 2,0 m grey
 216 000 20 ●
 2000 mm, 120 g

PKV Cat.6A iso 3,0 m grey
 216 000 30 ●
 3000 mm, 170 g

PKV Cat.6A iso 5,0 m grey
 216 000 50 ●
 5000 mm, 255 g

PKV Cat.6A iso 10,0 m grey
 216 000 00 ●
 10000 mm, 490 g



PKV S
 392 000 11 ●
 key,
 for unlocking patch cords,
 for PKV Cat.6A iso,
 2 g

Cat.6A-iso-patch-cord,
 shielded,
 for generic networks

STP – Cat.6A iso
Field assembly RJ 45 plug
shielded, for generic networks

Always the right choice

Field assembly universal plugs from Rutenbeck are the perfect solution, if a permanent terminal equipment connection is needed in private as well as in commercial environment. The slim design, high mechanical stability as well as optimal shielding and strain relief at data rates up to 10 Gbit/s make the Rutenbeck universal plug suitable for use in all situations.

Easy and safe assembly

The assembly can be done on the construction site fast, safe and without any special tools. The universal plug is designed for being used with the most popular types of cables no matter whether you are using customary Cat.7 cable (solid wires) or flexible patch cords (stranded wires).

Safe in function

The robust zinc die cast housing with 360° shielding characteristics guarantees a trouble-free data transmission in any environment. Outside interferences will have no chance.

Easy assembly

During the assembly all contacts and the PCB are protected by an integrated assembling aid. Therefore, damages will be prevented. The insertion of the wire manager in the housing is anti-twist protected. Shielding connection and strain relief take place by simple closing the plug in one step. When closing up to three audible clicks can be heard. The universal plug is now ready for use.

Fit for Future

Cat. 6A iso – universal plugs from Rutenbeck fully comply to the current highest data transmission product requirements according to ISO/IEC11801. Therefore, data rates up to 10 Gbit/s are no problem. Furthermore, the requirements for PoE+ are also fulfilled.

Product advantages:
Universal plug Cat.6A iso

- Cat.6A iso performance
- downward compatible to Cat.6A / Cat.6 / Cat.5e
- few pre-assembled parts, suitable for construction sites
- quick and safe assembly without special tools
- multi-port capable
- zinc die cast housing for high mechanical stability and optimal shielding
- non-interchangeable terminal marking, B-coding
- 360° screening
- Protection class: IP20 according to IEC 60529
- minimum 750 insertion cycles
- reconnectable up to 4 times

- suitable for PoE+, according to IEEE 802.3at

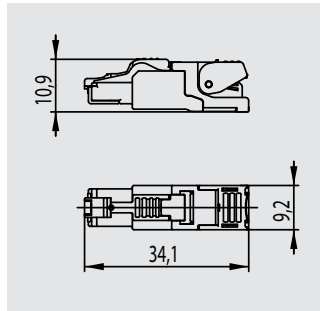
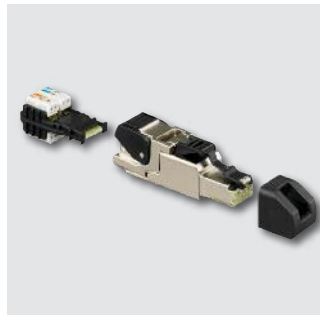
- for solid wires
AWG 24/1 – AWG 22/1
(0,51 – 0,64mm)

- for stranded wires
AWG 27/7 – AWG 22/7
(0,46 – 0,76 mm)

- temperature range:
-40°C - +85°C

The Cat.6A iso – universal plugs comply to the following standards:

- IEC 60 603-7-51, shielded, 500 MHz
- Color code T568B according to TIA/EIA-568-B.2
- 10 Gbit-Ethernet according to IEEE 802.3an



US-Cat.6A iso B

139 003 20

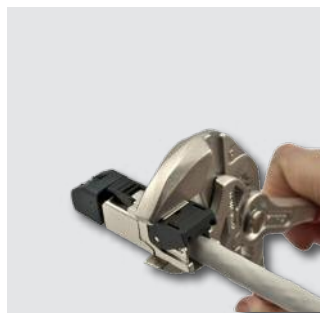
Cat. 6A iso- universal plug, RJ 45, shielded, for field assembly, without special tools, AWG 27 - 22, TIA/EIA 568B, 49 x 14 x 17 mm, 22 g



Universal plug
US Cat.6A iso



Few pre-assembled parts,
suitable for construction sites



Assembly without special tools



STP – Class F_A
Field assembly universal connection module for data cables, shielded, for generic networks

The safe connection

If data cables are damaged or need to be extended, the field assembly universal connection module from Rutenbeck is the perfect solution. Due to its round shape the established connections are protected against dust, water and interferences.

Easy and safe assembly

The assembly can be done on the construction site fast, safe and without any special tools. The universal plug is designed for being used with the most popular types of cables no matter whether you are using customary Cat.7 cable (solid wires) or flexible patch cords (stranded wires).

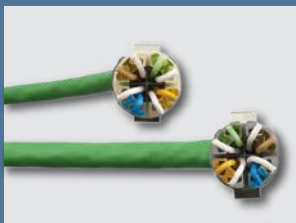
Safe in function

The robust zinc die cast housing with 360° shielding characteristics guarantees a trouble-free data transmission in any environment. Outside interferences will have no chance.

The additional coating of the universal connection module guarantees a potential separation to neighbouring connection modules.

Easy assembly

After the assembly of the clearly marked wire managers at each cable end, the connection takes place by simply screwing them together. Special tools are not necessary. The wire managers are distinctively coded, which makes the assembly easy and safe.



Class F_A-universal connection module from Rutenbeck comply fully to the current highest data transmission product requirements according to ISO/IEC 11801. Therefore, data rates up to 10 Gbit/s are no problem. Furthermore, the requirements for PoE+ are also fulfilled.

Product advantages:
Universal connection module Class F_A

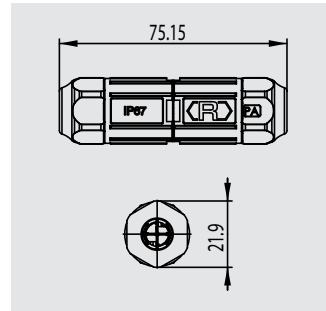
- Class F_A iso performance (1000MHz)
- downward compatible to Cat.6_A / Cat.6A / Cat.6 / Cat.5e
- few pre-assembled parts, suitable for constructions sites
- zinc die cast housing for high mechanical stability and optimal shielding
- round shape
- 360° screening
- insulated
- Protection class: IP67 according to IEC 60529
- reconnectable up to 4 times
- suitable for PoE+, according to IEEE 802.3at

- for solid wires AWG 24/1 – AWG 22/1 (0,51 – 0,64mm)
- for stranded wires AWG 27/7 – AWG 22/7 (0,46 – 0,76mm)

- temperature range: -40°C - +85°C

The Class F_A - universal connection module from Rutenbeck complies to the following standards:

- 10 Gbit-Ethernet according to IEEE 802.3an
- Class F_A according to ISO/IEC 11801 and DIN EN 50173-1
- Cat. 6_A according to ISO/IEC 11801 and DIN EN 50173-1



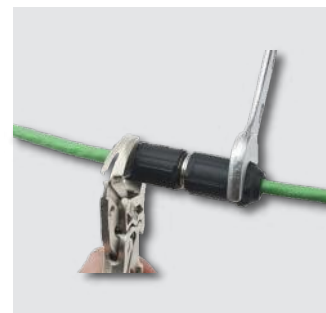
UV-Class FA
139 003 30 ●
Class F_A-universal connection module, shielded, insulated construction, for field assembly, without special tools, for solid wires: AWG 24/1 – AWG 22/1, for stranded wires: AWG 27/7 – AWG 22/7, 75 x 22 (ø) mm, 56 g



Universal connection module Class F_A



Few pre-assembled parts, suitable for construction sites



Assembly without special tools

DATA TECHNOLOGY

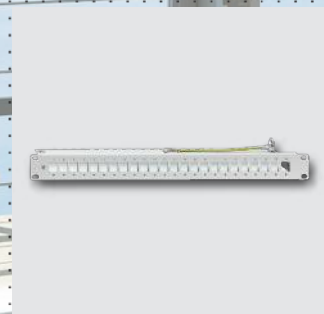
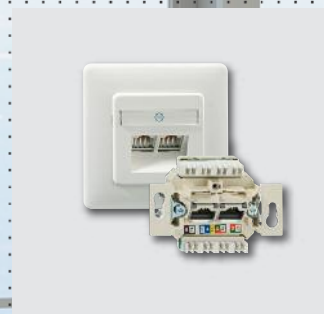
unshielded (UTP)

World-wide there is a large market for unshielded connecting hardware in data installations. Differing from the shielded products, the parts are made of zinc die cast only, if the mechanical stability is required. Otherwise, they are made of high quality plastic. Outstanding data transmission values allow the use in all data technical applications without having to use one single system.

Installation advantages and a solid construction guarantee a high cost-effectiveness.

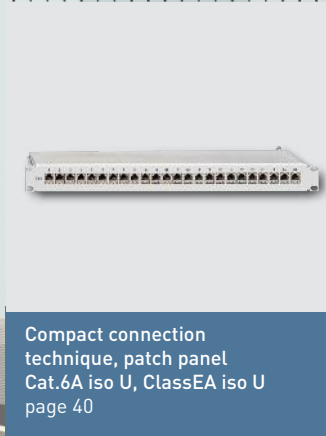
Data jacks from Rutenbeck can be combined with the design wall plates (50 x 50 mm) from all well-known manufacturers of electrical installation material.

All products can be found in detail at www.rutenbeck.com





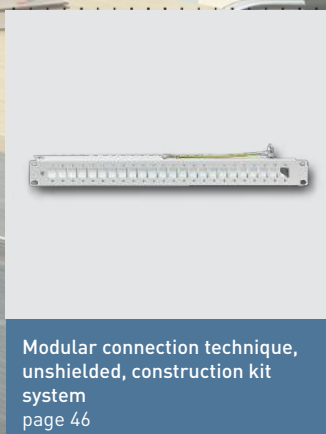
Compact-universal jacks
Cat.6A iso U, ClassEA iso U
page 40



Compact connection
technique, patch panel
Cat.6A iso U, ClassEA iso U
page 40



Modular connection
technique Cat.6A iso U
page 44



Modular connection technique,
unshielded, construction kit
system
page 46

**UTP –
Cat.6A iso U and ClassEA iso U,
compact-jacks and patch panel,
unshielded,
for generic networks**

Unshielded data processing products of Cat.6A iso and ClassEA iso from Rutenbeck guarantee a safe data-transmission at high quality and cost-effectiveness.

All unshielded data processing products from Rutenbeck are quality products "Made in Germany" certified according to ISO 9001.

Various designs enables the installation in different installation situations.

All unshielded data-technology jacks are suited to the use in 10-Gigabit-Ethernet-networks.

- for solid wires (AWG 26–22)

- for combination with design wall plates (UAE) of all well-known manufacturers of electrical installation

- 100% quality-proof

- 25 years guarantee

- made and tested in Germany

- suitable for PoE+ and UPOE

High performance assets

Unshielded Cat.6A iso U-jacks from Rutenbeck comply to the data transmission product requirements according to EIA/TIA as well as with the requirements on the transmission channel according to EIA/TIA for 500 MHz bandwidth (10 Gbit/s). Furthermore, PoE+ (Power over Ethernet) is no problem for the Cat.6A iso U-jacks from Rutenbeck.



Surface mounting design – ideal for supplementary installation

The surface mounting design is recommended for the backfitting and retrofitting of networks. The compact design fits perfectly in any installation environment.

With constantly increasing requirements of transmission characteristics, a fault-free and standard-conform installation has become of greater importance.



Flush mounting design – the universal solution

The praxis-proven design of the flush mounting data-jacks guarantees a safe connection and various installation advantages:

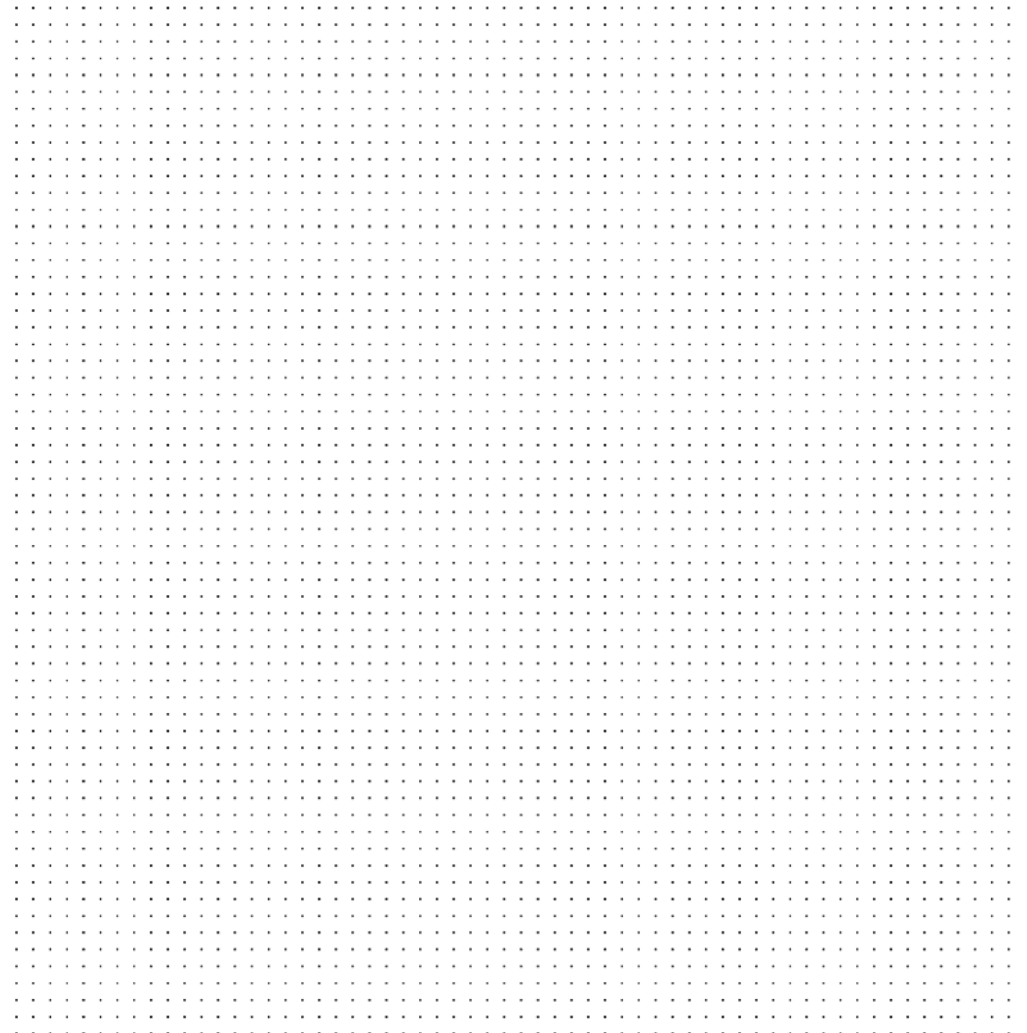
- proven, connection safe LSA-terminals
- clearly labeled terminals
- metric screws suitable for design wall plates of all well-known manufacturers of electrical installation material



Patch panel for generic networks

The patch panel represents the central connecting hardware of a network installation. In combination with the universal jacks, it enables the perfect setup of a structured cabling with optimal coordinated products.

High quality material guarantee for safe installation and data transmission.



Technical data for unshielded Cat.6A iso-U and ClassEA iso-U-connecting hardware

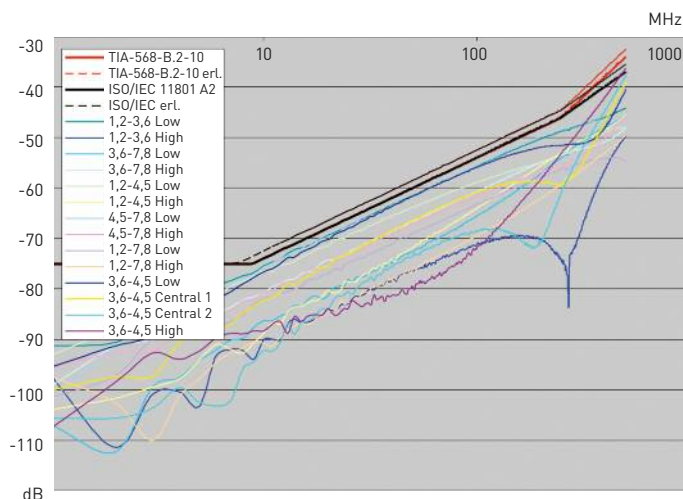
Mechanical characteristics	
General	
Housing	ABS, unshielded
Ambient temperature	-40 °C bis +70 °C
Class according to EN 60 529	IP21
Connector/outlet Cat.6A iso U, ClassEA iso U	
Design Cat.6A iso U	DIN EN 60603-7-51
Design ClassEA iso U	DIN EN 60603-7-41
Connection technique	LSA-terminals for wires 0.4–0.63 mm Ø, AWG 26–22, outer diameter 0.7–1.6 mm at PE, 1 wire at each terminal, number of connections ≥ 50 x
Assembly Cat.6A iso U	flexible printed circuit board made of polyimid with mechanical spring elements (patented)
Assembly ClassEA iso U	flexible printed circuit board made of polyimid with mechanical spring elements (patented)
Contact material/-surface	1,5 µm Ni/0,8 µm Au
Material housing	PBT
Life (insertion and withdrawals)	Cat.6A iso U ≥ 1000 cycles with plugs according to IEC 60 603-7 ClassEA iso U ≥ 1000 cycles with plugs according to IEC 60 603-7

Electrical characteristics Cat.6A iso U, ClassEA iso U	
Voltage	72 V DC, suitable for TNV circuits, according to EN 60 950-1:2011-01
Operation current	500 mA, at 50 °C ambient temperature
PoE-compliant	suitable for PoE+ (Power over Ethernet) according to IEEE 802.3at
Voltage withstand	1000 V (contact – contact)
Isolation resistance	≥ 500 MΩ
Contact resistance	signal contact: 20 mΩ
Color code	T568A and T568B according to TIA/EIA-568-B.2

Transmission characteristics Cat.6A iso U	
ISO/IEC 11801	Cat.6 _A , unshielded
DIN EN 50173	
DIN EN 60603-7-41	500 MHz, unshielded
TIA/EIA-568-C.2	Cat.6A, unshielded

Transmission characteristics ClassEA iso U	
ISO/IEC 11801	ClassE _A , unshielded
DIN EN 50173	
DIN EN 60603-7-41	500 MHz, unshielded
TIA/EIA-568-C.2	Class EA, unshielded

Test- and approval marks



Extended NEXT for 10-Gigabit-Ethernet (typical values according to ISO/IEC and EIA/TIA)

Overview compact components Cat.6A iso U, ClassEA iso U, unshielded

Compact components
ClassEA iso U, Cat.6A iso U

...for the Channel-Link
ClassEA iso U

...for the Permanent-Link
Cat.6A iso U



ClassEA iso U-Universal data jacks
for generic networks

Cat.6A iso U-Universal data jacks
for generic networks



Ap rw*

1-way	132 115 010	●
2-way	132 115 030	●

Ap rw*

1-way	134 115 01	●
2-way	134 115 03	●



Up rw*

1-way	132 112 010	●
2-way	132 112 050	●

Up rw*

1-way	134 112 01	●
2-way	134 112 05	●



Up 0

UP 0

1-way	132 104 010	●
2-way	132 104 050	●

UP 0

1-way	134 104 01	●
2-way	134 104 05	●

Patch panel
for generic networks,
direct mounting



ClassEA iso U

PP-24/1 U

24-way	232 101 100	●
--------	-------------	---

patch panel, 19", 1U,
for direct mounting

Cat.6A iso U

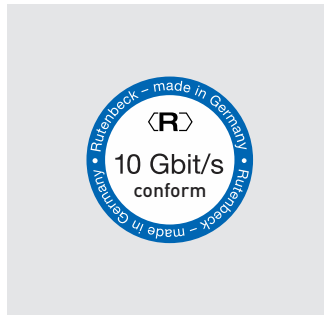
PP-24/1 U

24-way	234 101 100	●
--------	-------------	---

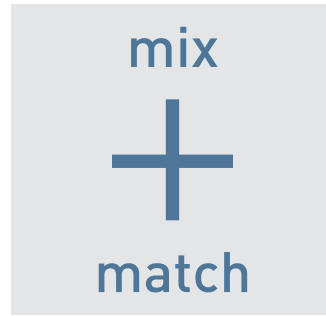
patch panel, 19", 1U,
for direct mounting



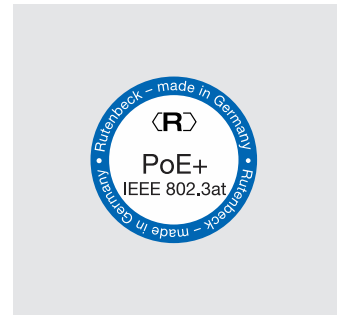
- Cat.6A iso U-components
- ClassEA iso U-components



- Cat.6A iso U-components
- ClassEA iso U-components



- suitable for mix-and-match use
- free choice of cable
- high reserves at cable lengths < 90 m



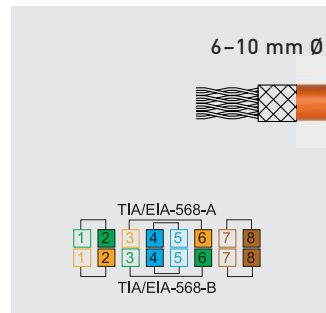
- suitable for PoE+ (Power over Ethernet) according to IEEE 802.3at



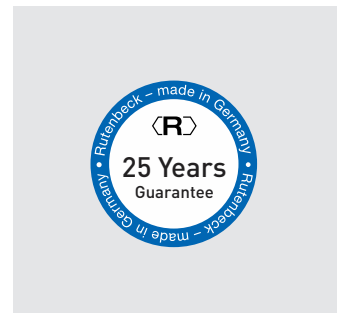
- for combination with design wall plates of all well-known manufacturers of electrical installation material for single and double flush mounting-solutions



- special socket construction guarantees reliable data transmission even if the RJ11/12 jack is inadvertently plugged in incorrectly
- at least 1000 insertion cycles with standardized RJ45 jacks (250 more than the standard requirement)



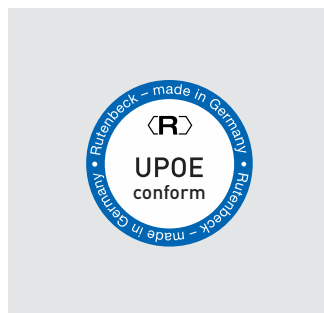
- for data cable with a diameter of 6-10 mm
- coding of terminals A and B in accordance with TIA/EIA-568-B.2



- made and tested in Germany
- 25 years guarantee



- suitable for HDBaseT-applications



- suitable for Cisco UPOE-standard

UTP – Cat.6A iso U
Modular connection technique,
unshielded,
for generic networks

Universal modular jacks –
professional and
practice-oriented

No compromising in design

Universal modular jacks from Rutenbeck are extending the selection of modular connecting systems with a type “direct” design compatibility. Meaning that, up to two Rutenbeck universal modular jacks can be completed with customary TAE wall plates. This allows the integration into any switch design.

In case three modular jacks are supposed to be put into one mounting box, this can be realized by using special mounting adapters and center plates.

Universal modular jacks from Rutenbeck fit the worldwide customary mounting openings of 19.3 x 14.7 mm.

Quick and easy connection

For mounting expensive and complicated special tools are not necessary. The cable only needs to be dismantled and prepared accordingly. For the following steps a cutting tool is completely sufficient. The mounting wedge of the Rutenbeck universal modular jacks helps in case of friction-locked contacting and allows an assembly without any additional installation effort.

Product advantages:

- fits standard Keystone openings
- few pre-assembled parts, suitable for construction sites
- high mechanical stability
- terminals clearly labeled with color codes (A and B coding are of equal value)
- no tools needed for mounting due to mounting wedge
- quick one step mounting of strain relief
- for data cables Ø 6–10 mm
- for solid wires (AWG 24–22)
- for stranded wires (AWG 26)
- Module head can be connected up to 10 times without new cable assembly
- bend-radius optimized cable feeding of 30°

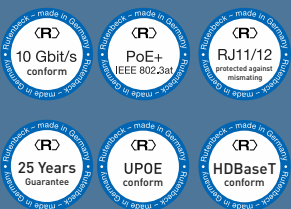
- built-in dust protection cap (removeable, if required, color-exchangeable)
- for combination with design all plates (TAE) of all well-known manufacturers of electrical installation material for single and double solutions
- triple flush mounting solution with special center plate
- 100% quality-proof
- 25 years warranty
- made and tested in Germany
- suitable for PoE+

High performance assets

Unshielded Cat.6A iso U-Universal modules from Rutenbeck comply to the data transmission product requirements according to EIA/TIA as well as with the requirements on the transmission channel according to EIA/TIA and ISO/IEC for 500 MHz bandwidth (10 Gbit/s). Furthermore, PoE+ (Power over Ethernet) is no problem for the Cat.6A iso U Universal modules from Rutenbeck.

..Made and tested“ in Germany

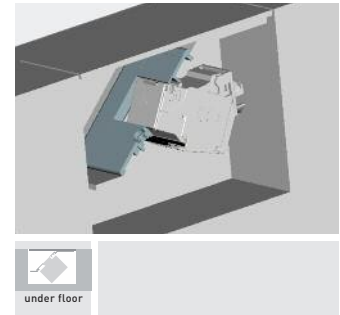
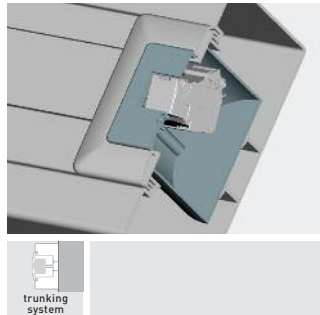
Rutenbeck products are being produced at a very high technological level. They have to pass in Germany a very strict quality tests. For the fulfillment of all performance parameters, Rutenbeck grants 25 years guarantee for these universal modular components!



Universal modular jack

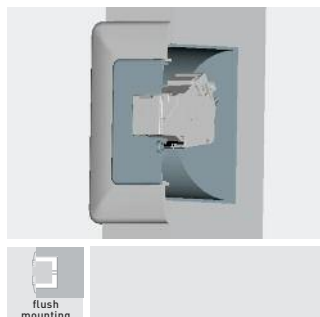


Installations in different environments



The 30°-cable entry of the universal modular jack prevents the data cable from touching the backside of the mounting box too soon. The cable can be laid without unacceptable kinks or too small bend radiuses.

In under floor applications the cable will be led almost parallel to the bottom to the back, because of the bend radius optimized cable feeding. Perfect for small installation situation.



For flush mounting installation a special mounting adapter is available, which allows an accurate cable feeding from the top or bottom, even in difficult situations where only very limited space is available. In order to accommodate the extra cable without bending the cable too much, a twin chamber mounting box should be installed.

Technical data for unshielded
UM-Cat.6A iso-U-connecting
hardware

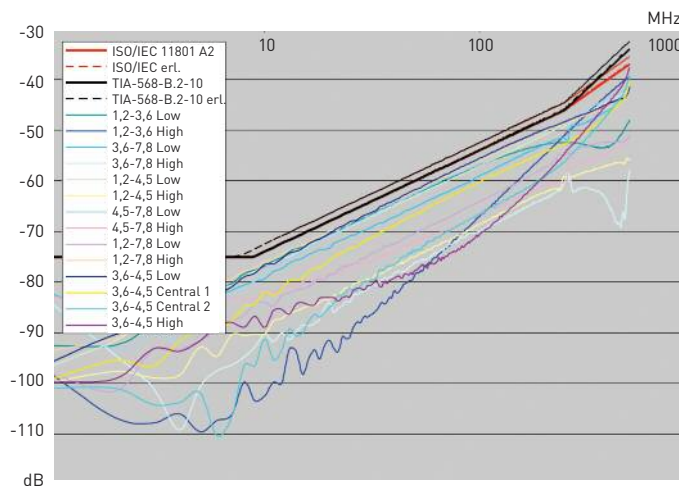


Mechanical characteristics	
General	
Housing	ABS, unshielded
Ambient temperature	-40 °C to +70 °C
Class according to EN 60529	IP21
Connector/outlet	
Design	DIN EN 60603-7-41:2011-01
Connection technique	
Solid wire	IDC terminals for wires Ø 0.51–0.64 mm, AWG 24–22, outer diameter 0.7–1.6 mm at PE, 1 wire each contact, maximum connections 10 times (at the same or larger cross-section)
Stranded wire	IDC terminals for wires 0.13–0.22 mm ² , AWG 26 (PE-Foamskin) – AWG 24 (PE-solid), outer diameter 0.9–1.1 mm at PE, 1 wire each contact, maximum connections 10 times (at the same or larger cross-section)
Assembly	flexible printed circuit board made of polyimid with mechanical spring elements (patented)
Contact material/-surface	1,5 µm Ni/0,8 µm Au
Material housing	PBT
Life (insertion and withdrawals)	≥ 750 cycles with plugs according to IEC 60 603-7

Electrical characteristics	
Voltage	72 V DC, suitable for TNV circuits, according to EN 60 950-1:2011-01
Operation current	500 mA, at 50 °C ambient temperature
PoE-compliant	suitable for PoE+ (Power over Ethernet) according to IEEE 802.3at
Voltage withstand	1000 V (contact – contact)
Isolation resistance	≥ 500 MΩ
Contact resistance	signal contact: 20 mΩ
Color code	T568A and T568B according to TIA/EIA-568-B.2





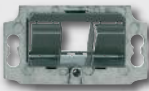






Transmission characteristics	
ISO/IEC 11801	Cat.6 _A , unshielded
DIN EN 50173-1	
DIN EN 60603-7-41	500 MHz, unshielded
TIA/EIA-568-C.2	Cat.6A, unshielded

Test- and approval marks



Extended NEXT
for 10-Gigabit-Ethernet
(typical values according
to ISO/IEC and EIA/TIA)

All products can be found in detail www.rutenbeck.com

Overview unshielded modular components (construction kit system)													
<p>Modular connecting hardware, Cat.6A iso U</p> <p>Accessory</p>	<p>Cat.6A iso U</p>  <p>Universal-modul jack</p> <p>UM-Cat.6A iso U A 137 003 00 Universal modular jack, suitable for standard Keystone openings</p>												
 <p>flush mounting</p>  <p>trunking system</p>  <p>under floor</p>  <p>trunking system</p>  <p>under floor</p>	<table border="1"> <thead> <tr> <th colspan="2">UM-UMA 2 Up</th> </tr> </thead> <tbody> <tr> <td>2-way</td> <td>139 000 04 ●</td> </tr> </tbody> </table> <p>Flush mounting adapter, break off mounting ring can be converted into mounting bracket, without universal modular jacks</p> <table border="1"> <thead> <tr> <th colspan="2">UM-MA 2 Up</th> </tr> </thead> <tbody> <tr> <td>2-way</td> <td>139 000 01 ●</td> </tr> </tbody> </table> <p>Flush mounting adapter, without universal modular jacks</p> <table border="1"> <thead> <tr> <th colspan="2">UM-MA 3 Up</th> </tr> </thead> <tbody> <tr> <td>3-way</td> <td>139 000 02 ●</td> </tr> </tbody> </table> <p>Flush mounting adapter, without universal modular jacks</p>	UM-UMA 2 Up		2-way	139 000 04 ●	UM-MA 2 Up		2-way	139 000 01 ●	UM-MA 3 Up		3-way	139 000 02 ●
UM-UMA 2 Up													
2-way	139 000 04 ●												
UM-MA 2 Up													
2-way	139 000 01 ●												
UM-MA 3 Up													
3-way	139 000 02 ●												
 <p>surface mounting</p>	<table border="1"> <thead> <tr> <th colspan="2">UMflex-ApG rw*</th> </tr> </thead> <tbody> <tr> <td>3-way</td> <td>139 115 01 ●</td> </tr> </tbody> </table> <p>Surface mounting housing, without universal modular jacks, cable entry only from top</p>	UMflex-ApG rw*		3-way	139 115 01 ●								
UMflex-ApG rw*													
3-way	139 115 01 ●												
 <p>DIN-rail</p>	<table border="1"> <thead> <tr> <th colspan="2">UM-MA REG</th> </tr> </thead> <tbody> <tr> <td>1-way</td> <td>139 000 03 ●</td> </tr> </tbody> </table> <p>DIN-rail mounting adapter, 1 DIN unit wide, without universal modular jack</p>	UM-MA REG		1-way	139 000 03 ●								
UM-MA REG													
1-way	139 000 03 ●												
	<table border="1"> <thead> <tr> <th colspan="2">PP-UM A-24/1</th> </tr> </thead> <tbody> <tr> <td>24-way</td> <td>239 000 00 ●</td> </tr> </tbody> </table> <p>patch panel, 19"/1 U, for direct mounting, without universal modular jacks</p>	PP-UM A-24/1		24-way	239 000 00 ●								
PP-UM A-24/1													
24-way	239 000 00 ●												
 <p>surface mounting</p>  <p>surface mounting</p>	<table border="1"> <thead> <tr> <th colspan="2">PP-UM A-6 Ap</th> </tr> </thead> <tbody> <tr> <td>6-way</td> <td>239 101 06 ●</td> </tr> </tbody> </table> <p>surface mounting-patch panel, without universal modular jacks</p> <table border="1"> <thead> <tr> <th colspan="2">PP-UM A-12 Ap</th> </tr> </thead> <tbody> <tr> <td>12-way</td> <td>239 101 16 ●</td> </tr> </tbody> </table> <p>surface mounting-patch panel, without universal modular jacks</p> <table border="1"> <thead> <tr> <th colspan="2">CP-UM A-12 Ap</th> </tr> </thead> <tbody> <tr> <td>12-way</td> <td>239 101 12 ●</td> </tr> </tbody> </table> <p>Consolidation point, without universal modular jacks</p>	PP-UM A-6 Ap		6-way	239 101 06 ●	PP-UM A-12 Ap		12-way	239 101 16 ●	CP-UM A-12 Ap		12-way	239 101 12 ●
PP-UM A-6 Ap													
6-way	239 101 06 ●												
PP-UM A-12 Ap													
12-way	239 101 16 ●												
CP-UM A-12 Ap													
12-way	239 101 12 ●												

All products can be found in detail www.rutenbeck.com

Overview unshielded modular components (construction kit system)

Modular connecting hardware, Cat.6A iso U

Accessory



Cat.6A iso U



UM-Cat.6A iso U A
137 003 00

Universal modular jack, suitable for standard Keystone openings



	Ap	Ap rw*
for center plate 2-way a. 3-way	100 100 01 ●	100 100 51 ●
	Wall plate	

	ZSt UM-MA 2	ZSt UM-MA 2 rw*
2-way	139 100 03 ●	139 100 53 ●
	Center plate	

	ZSt UM-MA 3	ZSt UM-MA 3 rw*
3-way	139 100 02 ●	139 100 52 ●
	Center plate	



DATA TECHNOLOGY

SOHO and special solutions

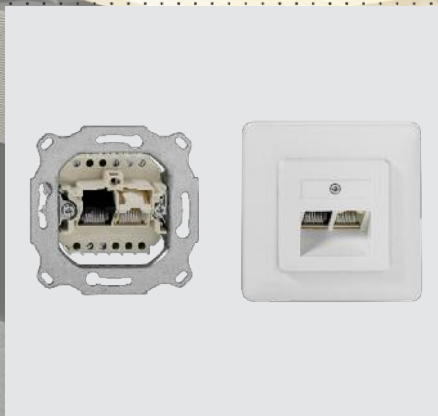
Innovative products, for example, for the installation in electrical distribution boxes enable the installation of smaller networks in private homes as well as in commercial buildings (SOHO).

We especially designed our **line21®**- and our **POF** products for retrofitting.

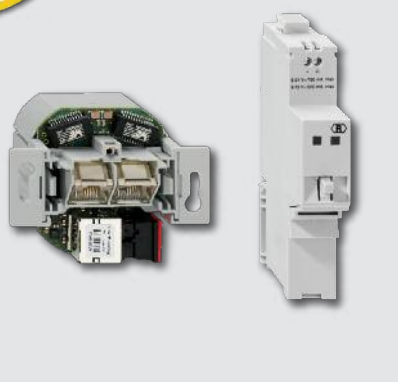




NEW



NEW



AC WLAN

WLAN-Accesspoint in a data jack –
safe mobility for any network

AC WLAN

- WLAN in addition to data outlet
- 150 Mbit/s – IEEE802.11 b/g/n
- all known encryption methods
- adjustable range
- time profiles for LAN and WLAN
- indication of functions with illuminated jack
- guest access for easy surfing
- printer-/data connection via USB-interface
- with central management
- design compatible to fit the design covers of the switching industry or as DIN-rail version



WLAN – efficient and exactly as needed

The flush-mounting WLAN-Accesspoint offers an excellent alternative to meet the requirements for modern network infrastructures according to DIN 18015-2 and RAL RG 678 without sacrificing the flexible use of modern mobile technologies such as tablet PCs or laptops or limit the wireless data rates. In addition, the AC WLAN works like a normal wireless data outlet with an RJ45 jack for a conventional data terminal device (data rate of 100 Mbit/s). The power supply is directly over 230 V at the back of the unit. The AC WLAN is connected with the local data network via conventional copper data cable or via polymer optical fiber (POF). The WLAN range can be adapted and limited to the conditions of the area. This creates powerful area radio cells, which ensure max. bandwidth within the area while working with low power consumption and low radiation.

Traditional WLAN-Accesspoints try to reach as many points in an object by using the highest possible output power. In addition to the high-energy requirement and increased radio emission for such solutions, this leads to delineation problems of the accesspoints with each other and thus to overcoupling of the WLAN areas and reduced data rates.

The Rutenbeck WLAN-Accesspoints are the world's first that fits into a commercial flush mounting installation box and is compatible with all the design programs of well known switch manufactures.

Time management

New software features allow the individual, time-controlled activation of the WLAN or the front RJ-45 outlet.

For example, in private areas the WLAN-network access can be activated for children's use for only a limited time. During the week different times can be programmed than on the weekends. Holiday programs are also possible.

In commercial areas not only the WLAN-network will be activated in the conference room according to the occupancy. The front RJ45 data outlet is only activated during that time and therefore, the network access is protected against misuse in addition to the protection of a firewall if no conference takes place.

The function of the WLAN as well as the front RJ 45-outlet will be indicated with an LED in the RJ-45 outlet area. If the illumination of the data jack is disturbing, i.e. in the bedroom, this function can be switched off.

Easy access to the internet – the guest access

The new guest access allows i.e. visitors the uncomplicated access to the internet without access to the local network. For this guest access different access data will be stored for the guests in the AC WLAN.

PoE for retro-fitting

The PoE-version can be exchanged directly against existing data jacks, even if there is no 230-V supply available. It will not only be supplied with power and data by PoE, (PoE class 0), it also feeds devices connected at the RJ-45 outlet with PoE (PoE class 2, max. 6.49 W).

USB for additional functions

The AC WLAN UAE/USB offers additional possibilities for the network integration of USB-devices.

The power supply (2.5 W) is being done by the USB-interface.

Application examples:

- the Data Stick can be used as a network drive
- the USB-printer can be used as a network printer
- the AC WLAN can be used as a router by connecting a GSM/LTE stick

The AC WLAN UAE/USB is also available for mounting on a DIN-rail.

New software brings management

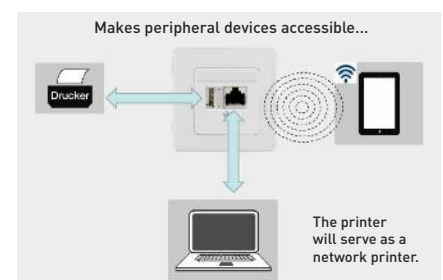
The current software supports a central management of all devices in the network.

When using several AC WLANs are being, the controlling and management will be simplified significantly. The number of managed AC WLANs is unlimited.

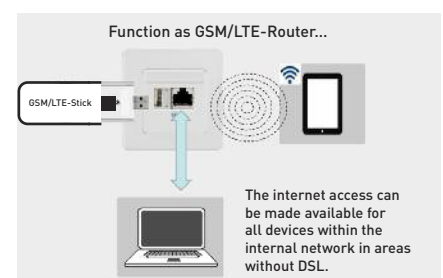
Connection USB-Data Stick

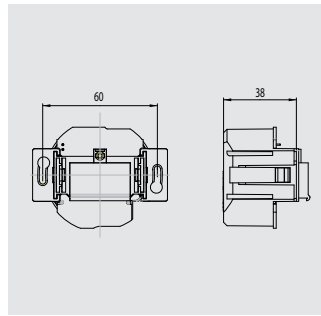


Connection USB-Printer

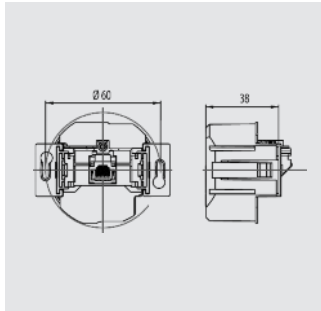


Extended Function GSM/LTE-Router

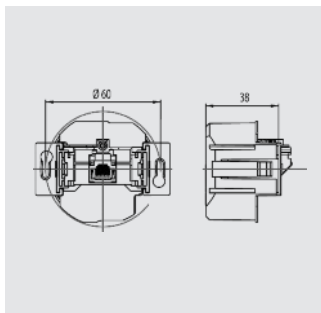


WLAN-Accesspoint
AC WLAN 230V**AC WLAN Up rw****226 104 10**

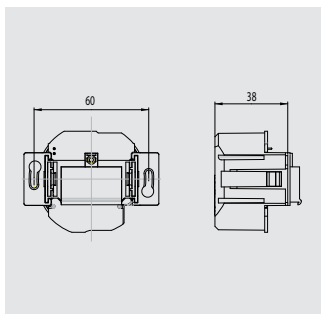
Flush mounting WLAN-Accesspoint, with center plate and wall plate, 150 Mbit/s, 802.11 b/g/n, WEP/WPA2, operating mode as well as bridge, repeater, with timer and time switching function, indication of functions via LED, reset with reset magnet, network connection with screw terminals, rated operating voltage 100-240 V- / 50-60 Hz, 3 VA typical, pure white (similar RAL 9010), 80 x 80 x 50 mm, 112 g

**AC WLAN UAE Up rw****226 104 030**

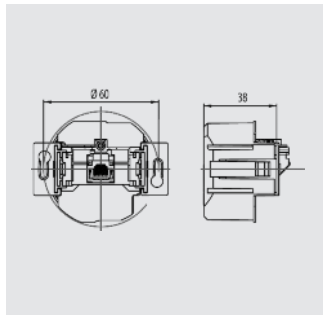
Flush mounting WLAN-Accesspoint, with center plate and wall plate, 150 Mbit/s, 802.11 b/g/n, WEP/WPA2, operating mode as well as bridge, repeater, indication of functions at RJ45-outlet (can be switched off), reset with reset magnet, integrated data outlet (RJ45) 100 Mbit/s, network connection with screw terminals, rated operating voltage 100-240 V- / 50-60 Hz, 3 VA typical, pure white (similar RAL 9010), 80 x 80 x 50 mm, 112 g

**AC WLAN POF/UAE****1xUp rw 2,2 mm****226 104 050**

Flush mounting WLAN-Accesspoint, with center plate and wall plate, 150 Mbit/s, 802.11 b/g/n, WEP/WPA2, operating mode as well as bridge, repeater, indication of functions at RJ45-outlet (can be switched off), reset with reset magnet, integrated data outlet (RJ45) 100 Mbit/s, POF network connection (2.2 mm), rated operating voltage 100-240 V- / 50-60 Hz, 3 VA typical, pure white (similar RAL 9010), 80 x 80 x 50 mm, 115 g

**AC WLAN UAE/USB Up rw****226 104 07**

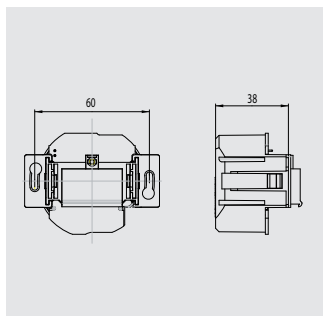
Flush mounting WLAN-Accesspoint, with center plate and wall plate, 150 Mbit/s; 802.11 b/g/n, WEP/WPA2, operating mode as well as bridge, repeater, with timer and time switching function, indication of functions at RJ45-outlet (can be switched off), reset with reset magnet, integrated data outlet (RJ45), 100 Mbit/s; integrated USB-2.0 interface (USB A / 2.5 W), network connection with screw terminals, rated operating voltage: 100-240 V- / 50-60 Hz, 3 VA typical, pure white (similar RAL 9010), 80 x 80 x 50 mm, 112 g



AC WLAN UAE PoE Up rw
226 104 06 ●

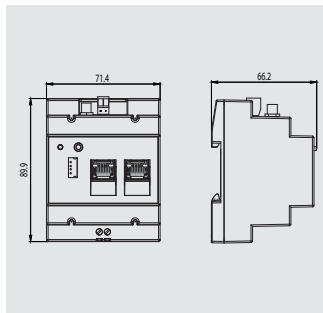
Flush mounting WLAN-Accesspoint, with center plate and wall plate, 150 Mbit/s, 802.11 b/g/n, WEP/WPA2, operating mode as well as bridge, repeater, with timer- and time switching function, indication of functions at RJ45-outlet (can be switched off), reset with reset magnet, integrated data outlet (RJ 45), 100 Mbit/s with PoE-feeding (class 2), Network- and power supply (PoE) with screw terminals, rated operating voltage: PoE (class 0), 3 VA typical, pure white (similar RAL 9010), 80 x 80 x 50 mm, 112 g

WLAN-Accesspoint
AC WLAN PoE



AC WLAN UAE/USB PoE Up rw
226 104 09 ●

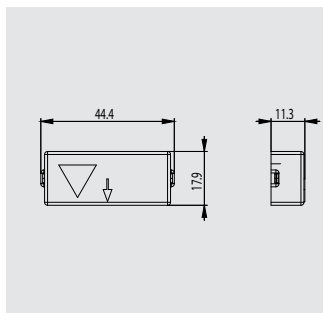
Flush mounting WLAN-Accesspoint, with center plate and wall plate, 150 Mbit/s, 802.11 b/g/n, WEP/WPA2, operating mode as well as bridge, repeater, with timer- and time switching function, indication of functions at RJ45-outlet (can be switched off), reset with reset magnet, integrated data outlet (RJ 45), 100 Mbit/s with PoE-feeding (class 2), integrated USB-2.0 interface (USB A/2.5 W), Network- and power supply (PoE) with screw terminals, rated operating voltage: PoE (class 0), 3 VA typical, pure white (similar RAL 9010), 80 x 80 x 50 mm, 112 g



ACR WLAN 3xUAE/USB
226 104 08 ●

WLAN-Accesspoint for mounting on a DIN-rail, 150 Mbit/s, 802.11 b/g/n, WEP/WPA2, 2 integrated data outlets (RJ 45), 100 Mbit/s, integrated USB-2.0 interface (USB A/2.5 W), operating mode as well as bridge, repeater, with timer- and time switching function, indication of functions via LED, reset with push-button, power supply output: 12 V DC, 3 W rated operating voltage: 100-240 V~ / 50-60 Hz, 3 VA typical, alternatively 12 V DC / 3 W light grey (similar RAL 7035), 72 x 90 x 65 mm, 155 g

WLAN-Accesspoint
ACR WLAN



RM
392 000 10 ●
Reset-magnet, for AC WLAN
40 x 17 x 10 mm, 11 g

WLAN-Accesspoint
Accessory

Components for Small Office- and Home Office-Applications (SOHO)

Increasing requirements in the performance and flexibility of data use and distribution in private homes as well as in commercial building (SOHO) demand specialized installation solutions.

International standards underline these requests with clear guidelines. As stated in the current drafts of the DIN 18 015-2 (minimum provisions for new installations in building), a network connection is required even for the minimum provision of an apartment. Under the aspect of long term maintenance value, this will be a very important issue in the future.

The components in DIN-rail mounting design for new as well as supplementary installations optimize the built-in installations and mounting. Data rates up to 1000 Mbit/s cover the needs of future applications and increase the value of the respective building.

Installation in conventional electrical distribution boxes or separate Multimedia patch panel omit the data cabinets. The often needed additional devices can be embedded central and safely with an optimal optical impression.

Therefore, the requirements in the structural cabling according to EN 50173-1 are fulfilled as well as the requirements of DIN VDE, for example, Insulation Class II.

Active as passive components only need to be installed. The wide range of functions supports the performance without any additional programming or setting of parameters.

Just connect and all is set!

Saving natural resources and environmental protection



All active components will work at the same time with less power consumption. Green-IT-aspects derived from the professional environment will consequently be fulfilled even in smaller applications.

New installation in the electrical distribution box...



...or with separat Multimedia patch panel

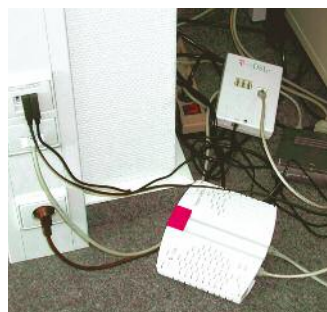
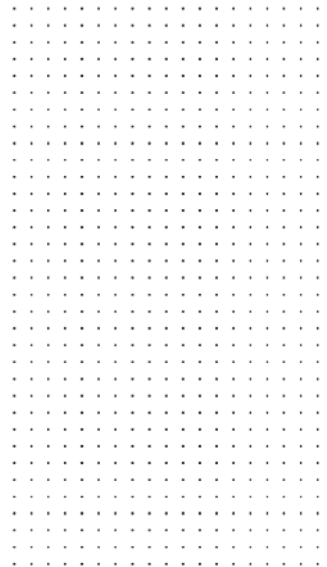


Suitable applications

- PC networking
- connection to Internet of one or several PCs
- telephone (analog/ISDN/ Internet-telephony, voice over IP)
- multimedia-applications (video-, picture-, sound-transmission)

System advantages

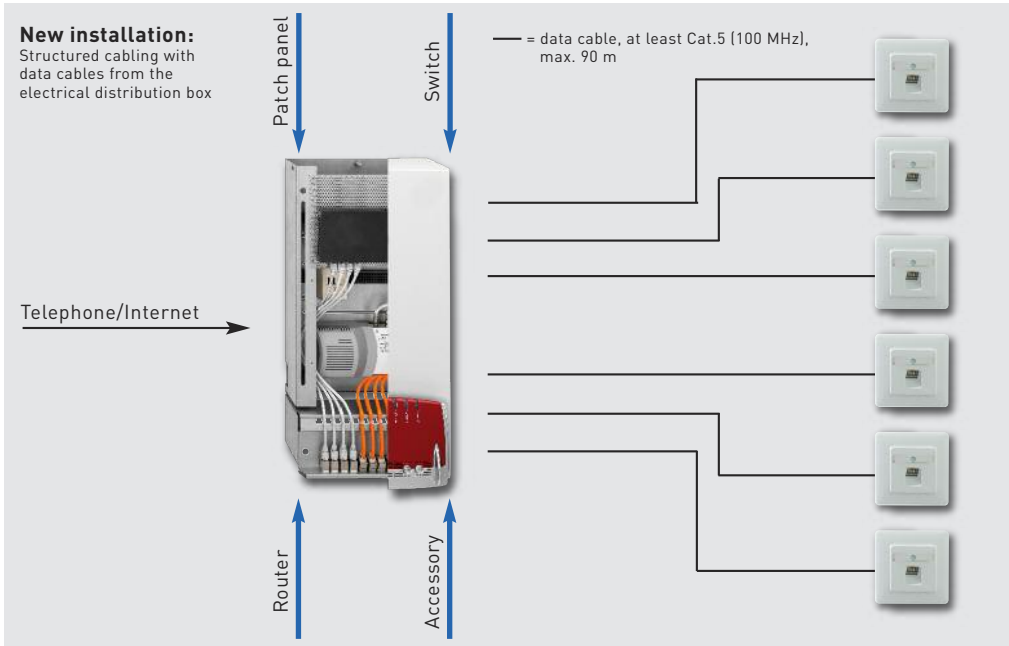
- structured, standard conform solution
- solution for DIN-rail-mounting according to Insulation Class II
- use in conventional installation surroundings
- easy installation and to put into operation
- expandable, if necessary
- compatible with present and future solutions
- "Green IT" – environmental friendly and preserving the natural resources



Nowadays, often like this ...



... and tomorrow maybe like this.

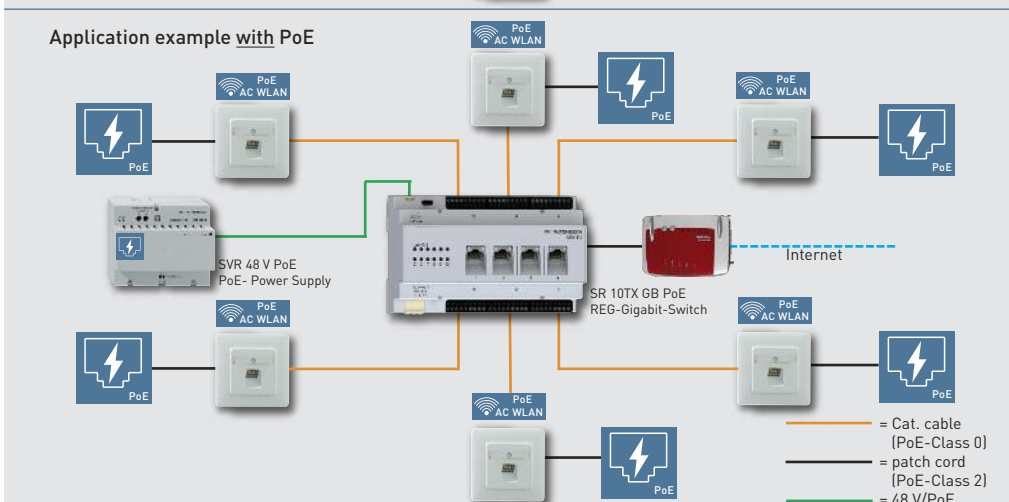
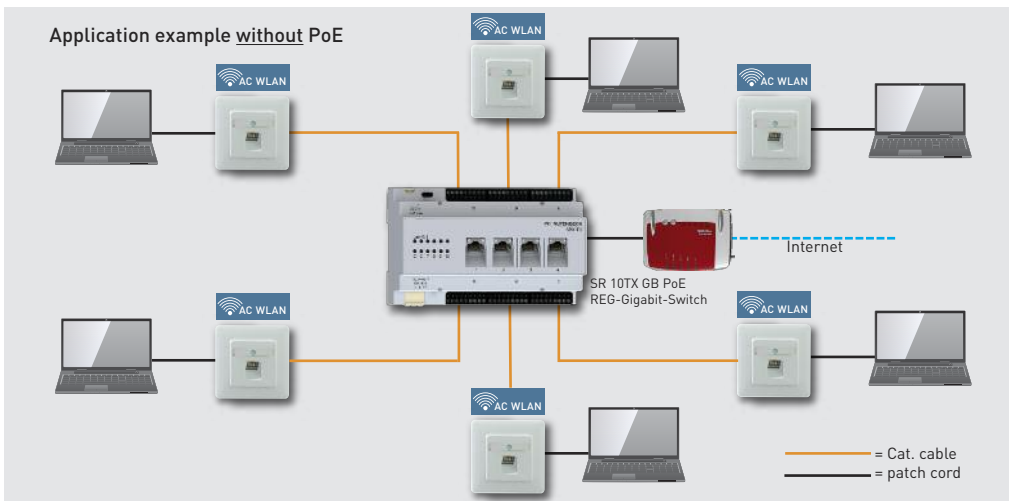


The generic network for new installations according to EN 50 173-4

With new installations, only structures which fulfill all the requirements of future applications should be installed, today. For this reason, a data jack is necessary at all present and not only at places where telephone- or PC applications should be used, but also at places where TV- or video will be used or music will be desired in the future.



The basis of this installation is represented by the central component, the patch panel for mounting on a DIN-rail or the patch panel for surface mounting in combination with our data jacks in compact or modular design.



PoE – data and power from one connection

PoE (Power over Ethernet) is a standardized method to power feed data terminals directly from the network, in addition to the data without influencing any data. The transmission takes place by use of conventional data cables. The data terminals will be connected with RJ45 with 8 contacts, like it always has been.

Actual powers are up to 15.4 W at PoE, 30 W at PoE+ and 60 W at UPOE (Cisco-standard). In addition new standards up to 100 W (PoE++) are in preparation.

Active system devices Switch SR 5TX GB



Gigabit-Switch for DIN-rail mounting SR 5TX GB

The SR 5TX GB is the best choice for dependable and permanent connection of IT-equipment to the network. After the connection of the 230 V five devices can be linked. If more devices need to be linked, another SR 5TX GB can be connected for cascading to any front port. Each port has a service LED which indicates the operating state.

Performance features

- 6 DIN units wide
- 5 x RJ45-ports (slanted outlet)
- Protection class: IP20 according to EN 60529
- Insulation class II
- integrated power supply 100-240 V
- LEDs for operation and function
- cascadable by using front ports
- extended temperature range (-40 - 55°C)

Functional features

- data rate 10/100/1000 Mbit/s
- multicast-capable
- autosensing, autonegotiation
- autopartitioning, MDI/MDIX
- port trunking/monitoring/mirroring
- VLAN support according to IEEE 802.3Q
- energy efficient according to IEEE 802.3az
- wake-on-LAN-functionality

Passive system devices Midspan patch panel PPR 6 PoE



Midspan patch panel PPR 6 PoE

With PoE (Power over Ethernet) it is possible to power feed data terminals like IP webcams or IP telephones directly from the network – additional to the data without influencing them. Midspan solutions have the advantage of being able to use the already existing switches. The midspan patch panel joins the data ports of the switches with the power supply.

The PoE Midspan patch panel contains all necessary methods for an uncomplicated plug-and play of the connected data terminals.

Performance features

- 6 DIN units wide
- standard-conform system solution
- for up to 3 PoE-devices
- max. 15.4 W at each port (class 0-3)
- 6 x RJ45-ports, 3 x data inputs, 3 x data+PoE-outputs (slanted outlet)
- closable ports, dust cover
- Protection class: IP20 according to EN 60529
- Insulation class II



PoE-Power Supply SVR 48 V PoE

The PoE-power supply is optimal customized for the midspan patch panel PPR 6 PoE. Up to 3 PoE-devices (class 0-3) can be powered from the electrical distribution box. The connection takes place with screw terminals, therefore, the PoE patch panel and power supply can be installed flexible and independently of each other in the electrical distribution box.

Performance features

- 6 DIN units wide
- 48-W- PoE-Power
- LED for operation
- Protection class: IP20 according to EN 60529
- Insulation class II

NEW



Gigabit-Switch for DIN-rail mounting SR 10TX GB PoE

The number of IP-based system devices is permanently increasing. In addition many devices are powered with Power over Ethernet (PoE). The needed space in central IP-distributor solutions increases accordingly, while the available space is anyway limited.

The SR 10TX GB PoE opens a totally new installation method in the market. Since additional patch panels are no longer needed, space can be saved in the electrical distribution box. Besides 4 Gigabit-front ports, additional 6 Gigabit ports are available at detachable screw terminals, which are located behind the cover after being mounted. Patch panels are not needed at this "direct connection" and the direct connected devices can be power fed with PoE. Up to total power of 45 W is at disposal. If more power is needed, a separate PoE power supply can be connected. Depending on the available power of the power supply, all 6 installation ports can be supplied with 25.5 W.

A special variant is available for applications where PoE is not needed.

Performance features

- 8 DIN units wide
- 4 x RJ45-ports (slanted outlet)
- 6 installation ports (detachable screw terminal block, 9poles)
- Protection class: IP20 according to EN 60529
- Insulation class II
- integrated power supply 230 V
- 45 W PoE-power at the installation ports
- 48 V-input for PoE- power extension to max. 30 W at the installation ports each
- LEDs for operation and service function

Functional features

- data rate 10/100/1000 Mbit/s
- multicast-capable
- autosensing, autonegotiation
- autopartitioning, MDI/MDIX
- Port Trunking/Monitoring/ Mirroring
- VLAN support according to IEEE 802.3Q
- energy efficient according to IEEE 802.3az
- wake-on-LAN-functionality

Active system devices
PoE-Switch
SR 10TX GB PoE

Active and passive
FO (fibre optical)
system components



Splice box FO for DIN-rail mounting PPR 3SC-M

Since the introduction of fiber optic applications in private homes (FTTH=Fibre To The Home) the desire to use the high performance of the optical fibre has consistently increased.

The splice box serves as the central distribution component in the electrical distribution box.

The splice box is fully equipped with splice tray, couplings, pigtails and cable gland/strain relief, which is located upper top right or upper top left (M20 bolting).

Due to the extended temperature range from -40°- 75°C, the splice box can also be used for various applications in industrial areas.

The standard design consists of 3 SC-Duplex –couplings (62 µm), however, additional variants are available upon request.

Performance features

- 6 DIN units wide
- 3 x SC Duplex (MM), (slanted outlet)
- integrated splice comb
- integrated with splice tray
- ready-to-splice couplings/pigtails
- with cable gland/strain relief
- Protection class: IP20 according to EN 60529
- Insulation class II
- extended temperature range for applications in industrial areas
- according to EN 60529 and DIN 43880



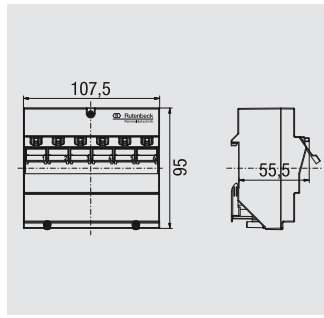
Switch FO for DIN-rail mounting SR 2TX/2SC

The FO-switch can be used for the connection of FO-data jacks and/or terminal devices at homes – or industrial networks and is the optimal supplement for the splice box PPR 3SC-M. All switches support Fast Ethernet (100 Mbit/s), which means more bandwidth than most Internet connection can supply. The connection to the router or to other switches of the network takes place with the RJ-45 front ports. Two SC-Duplex ports for single- or multimode fibres are located at the front for fiber optical applications. For Data-light an according variant with 4 connections is available. The power supply must be done with 12-60V DC, whereas extra redundancy requests from industrial areas can also be fulfilled. The temperature range for this environment has also been defined: -40° – 55°C.

Additional variants are available upon request.

Performance features

- 6 DIN units wide
- 2 x SC Duplex (SM or MM)
- 2 x RJ45
- data rate 10/100Mbit/s
- LEDs for operation and service function
- Protection class: IP20 according to EN 60529
- Insulation class II
- extended temperature range for applications in industrial areas
- according to EN 60529 and DIN 43880

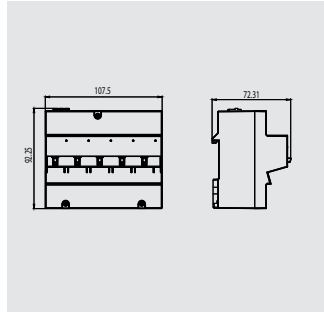


PPR 6*
238 102 00 ●
Patch panel for DIN-rail mounting,
6 x RJ45-ports, Cat.5e, Class D,
suitable for Gigabit-Ethernet,
light grey (similar RAL 7035),
108 x 95 x 56 mm = 6 DIN units wide,
199 g

* modular version see page 15

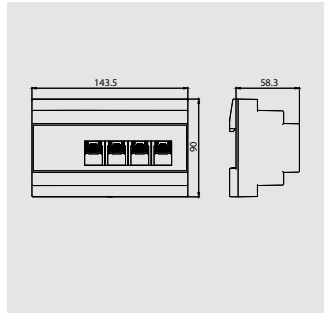
Active and passive
system components for
mounting in an electrical
distribution box

NEW



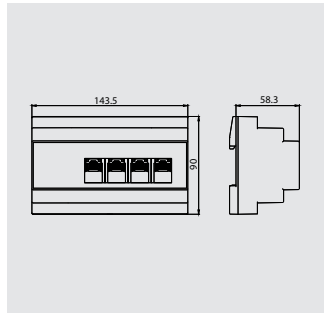
SR 5TX GB
235 105 03 ●
Gigabit-switch for DIN-rail mounting,
5 x RJ45-port
10/100/1000Mbit/s, multicast-capable,
VLAN-support,
nominal operating voltage:
100-240 V-/50-60 Hz, ≤ 4,3VA,
≤ 0,6VA in standby mode,
light grey (similar RAL 7035),
108 x 93 x 73 mm = 6 DIN units wide,
350 g

NEW

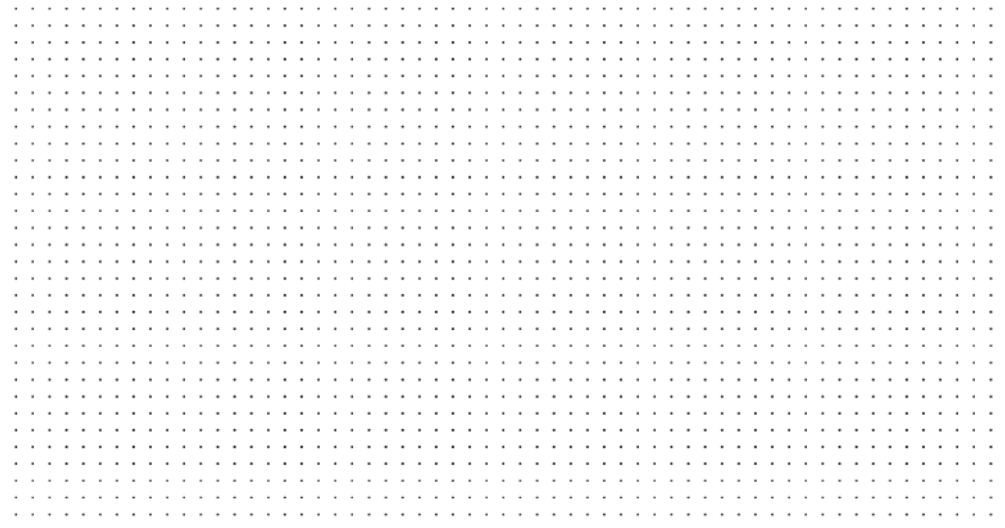


SR 10TX GB PoE
235 105 04 ●
Gigabit-switch for DIN-rail mounting,
4 x RJ45-front ports
10/100/1000 Mbit/s,
6 x installation ports 10/100/1000
Mbit/s, 45 W-PoE-power at the in-
stallations-ports – expandable to
180 W with external 48 V-power
supply (DC), multicast-capable,
VLAN-Support,
nominal operating voltage:
100-240 V-/50-60 Hz, ≤10VA,
light grey (similar RAL 7035),
144 x 90 x 59 mm = 8 DIN units wide,
350 g

NEW



SR 10TX GB
235 105 05 ●
Gigabit-switch for DIN-rail mounting,
4 x RJ45-front
ports 10/100/1000 Mbit/s,
6 x installation ports 10/100/1000
Mbit/s, multicast-capable, VLAN-
support,
nominal operating voltage:
100-240 V-/50-60 Hz, ≤10VA,
light grey (similar RAL 7035),
144 x 90 x 59 mm = 8 DIN units wide,
350 g



Passive system components for mounting in an electrical distribution box

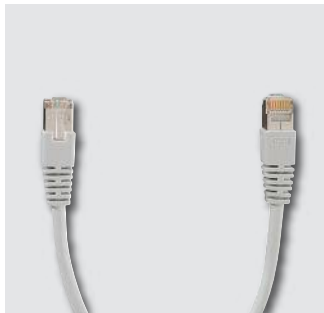


PPR 6 PoE
235 103 00 ●
 PoE-Patch panel for DIN-rail mounting, Midspan solution, 3 x RJ45-ports data inputs, 3 x RJ45-ports outputs, Data + PoE, suitable for 10/100 Mbit/s, Nominal operating voltage: 48 V DC, power consumption 1 A, light grey (similar RAL 7035), 108 x 95 x 56 mm = 6 DIN units wide, 190 g



SVR 48 V PoE**
235 103 01 ●
 PoE-power supply for DIN-rail mounting, Output power: 48 W, for up to 3 PoE-devices (class 0-3), Operating voltage: 100-240 V~/50-60 Hz, light grey (similar RAL 7035), 108 x 95 x 56 mm = 6 DIN units wide, 300 g

Accessory for SOHO-Components



PK 0,35 m
235 102 01 ●
 Patch cord, 0.35 m for connection of DIN-components in the subdistribution, 350 mm, 30 g

PK 0,23 m
235 102 02 ●
 Patch cord, 230 mm, 30 g



AW 2
392 000 00 ●
 Connection tool for LSA- and LSA-Plus-terminals, with cutting blade, 38 x 177 x 21 mm, 80 g

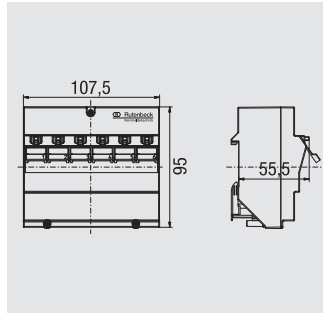


ADAP UAE/TAE 3x6 NFN
154 006 02 ●
 Adaptercord RJ 45/UAE, 0.15 m, for analog telephones in generic networks or for use with a line21®-UAE (8/8), black, 40 x 47 x 26 mm, 23 g

**product diversification planned

● Discount group 1 ● Discount group 2

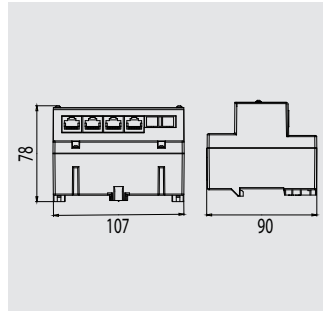
NEW



PPR 3SC-M
228 102 01 ●
FO-splice box for DIN-rail mounting,
3 x SC Duplex (MM/62µm),
with splice comb and -tray,
with couplings and pigtails,
with cable glands and strain relief
(M20),
temperature range -40 - 75°C,
light grey (similar RAL 7035),
108 x 90 x 80 mm = 6 DIN units wide,
220 g

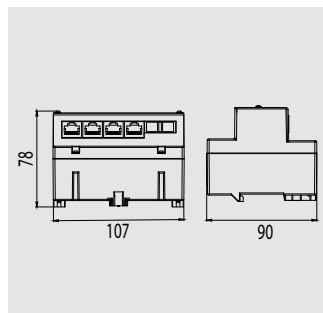
Active and passive
FO (fibre optical)-
system components for
mounting in an electrical

NEW

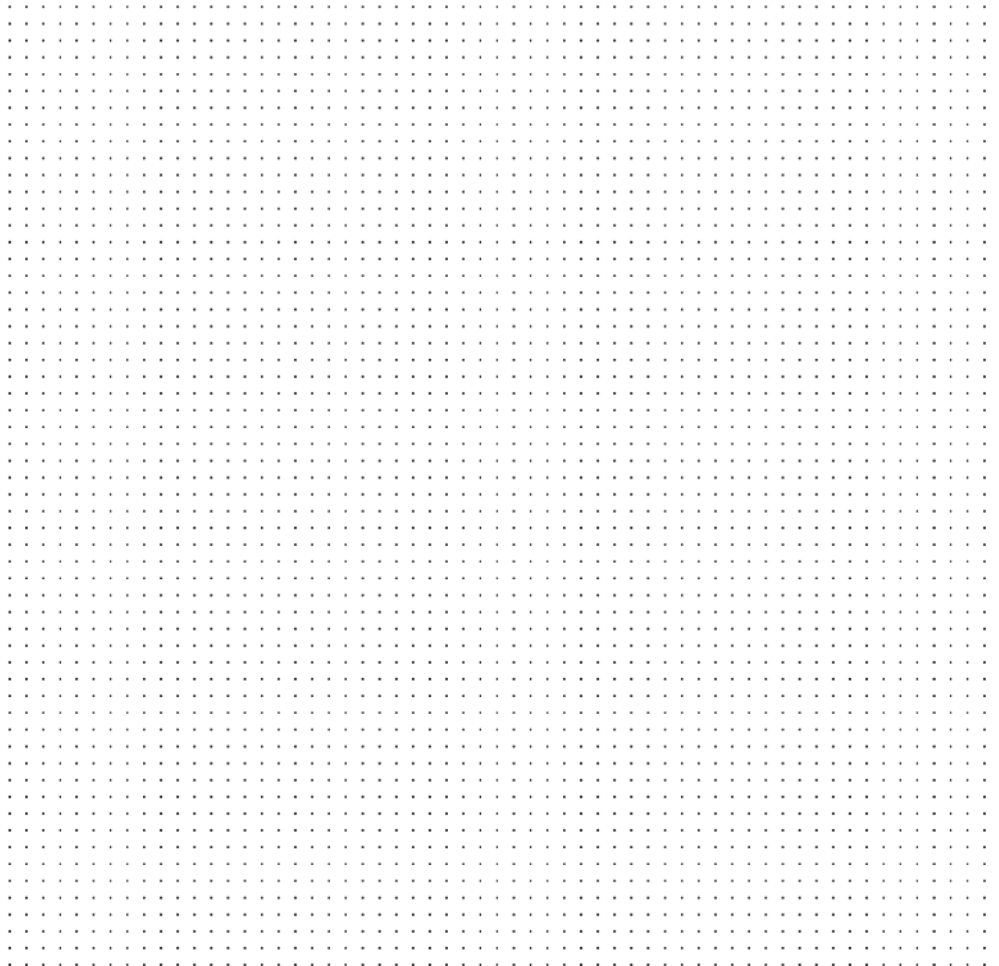


SR 2TX/2SC-M
228 105 02 ●
Switch for DIN-rail mounting,
(2 x UAE/2 x SC Duplex (MM
/62µm)),
for applications up to 100 Mbit/s,
nominal operating voltage:
12-60V DC, 1A,
temperature range -40-55°C,
light grey (similar RAL 7035),
108 x 90 x 77 mm = 6 DIN units wide,
300 g

NEW



SR 2TX/2SC-S
228 105 01 ●
Switch for DIN-rail mounting,
(2 x UAE/2 x
SCDuplex(SM/9/125µm)),
for applications up to 100 Mbit/s,
nominal operating voltage:
12-60V DC, 1A,
temperature range -40-55°C,
light grey (similar RAL 7035),
108 x 90 x 77 mm = 6 DIN units wide,
300 g

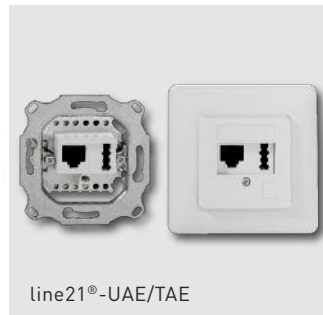
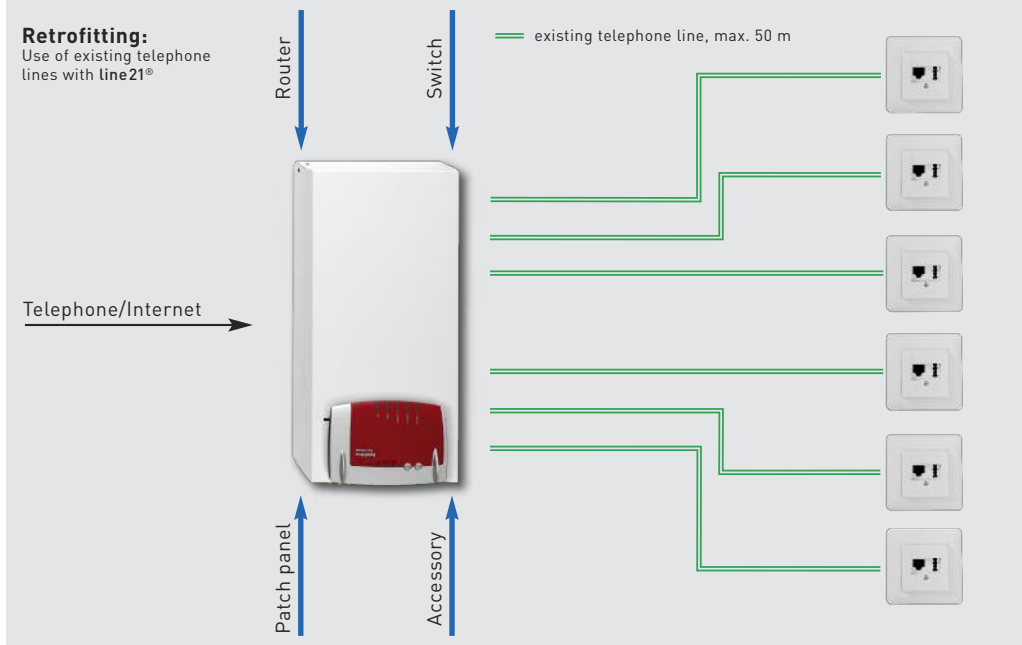


line21® for retrofitting

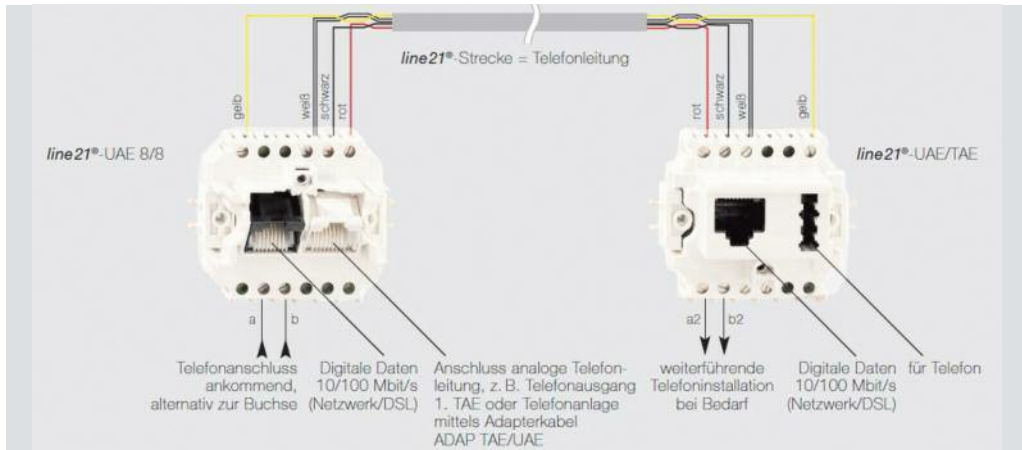
New technologies allow numerous applications without complex cable installations also in retrofitting. The technology of line21® allows the use of the existing analog telephone lines for the additional networking of PCs as well as for retrofitting of DSL-accesses, simply by replacing the existing jacks. The line still can be used for telephone calls, since the applications run parallel without interfering one another. Data rates up to 100 Mbit/s on telephone lines up to 30 m do not cause any problems. At a transmission rate of 10 Mbit/s, the telephone line can be up to 50 m long. There are no application restrictions at all, neither for the telephone nor for the network.

The installation

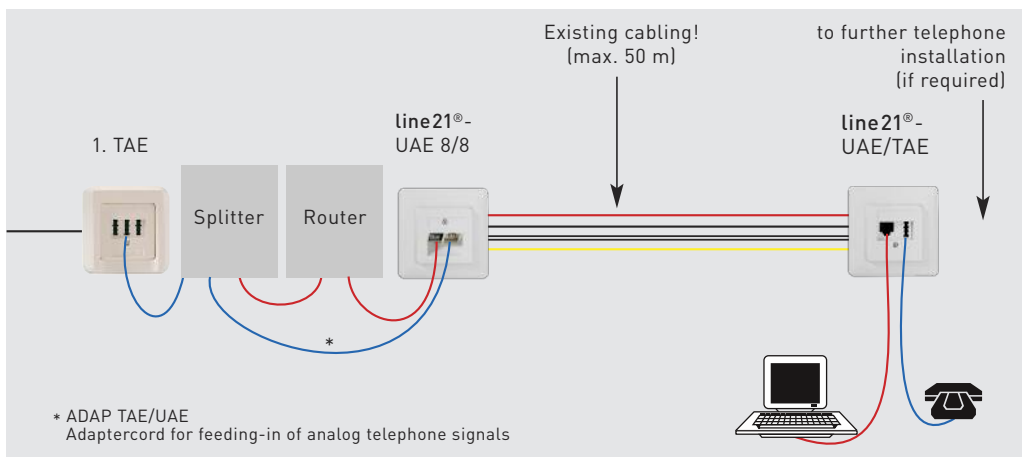
The installation is safe and easy. The jacks at the connection points of the terminal equipment will be replaced with line21®-jacks. The telephone line will be connected with terminal screws. The outlets in the front are suitable for the terminal equipment with UAE-plugs. As always, these jacks can be used with the design covers of all well-known manufacturer of electrical installation material giving the user an optimal optical impression after the installation. If a whole network and not only single link should be retrofitted, a patch panel as a central distributor sets up the necessary premises for the installation of up to 6 line21®-lines. The connection of all cables takes place with the proven LSA-Plus-technique. The DIN-rail-mounting patch panel as well as additionally available products for DIN-rail mounting e. g. switch and router allow the use of standard distribution boxes for installing these and other necessary devices. An optimal optical solution for small installations by omitting additional 10''- or 19''-cabinets.

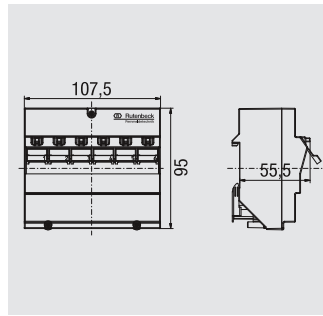


Connection examples



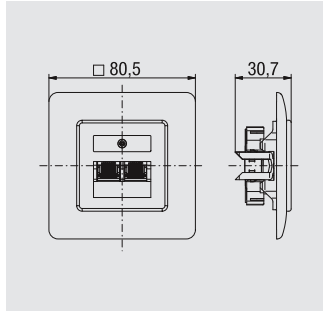
The application



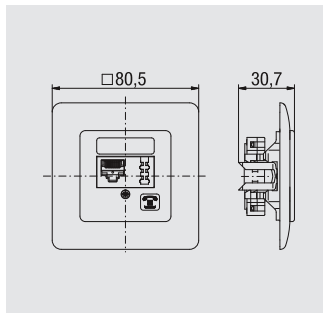
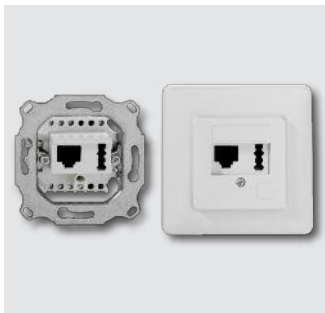


line21®-PPR 6
225 100 01 ●
 Patch panel for DIN-rail mounting,
 6 x RJ45-ports, for applications
 up to 100 Mbit/s,
 light grey (similar RAL 7035),
 108 x 95 x 56 mm = 6 DIN units wide,
 182 g

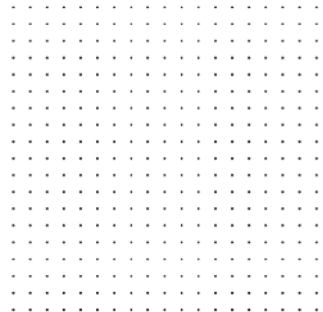
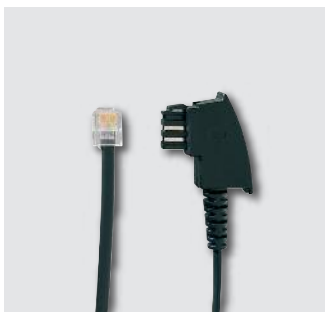
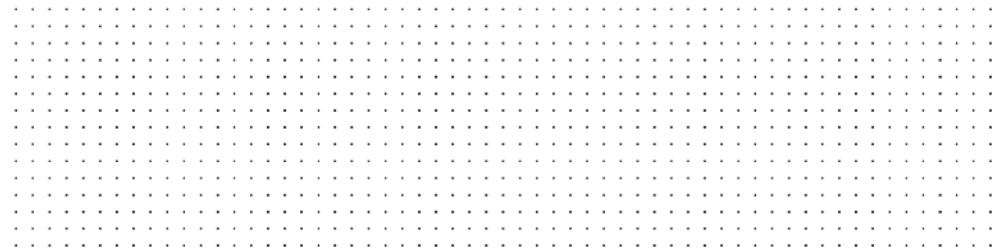
line21®-System devices
 for retrofitting



line21®-UAE 8/8 Up rw
225 112 01 ●
 Connection jack, 2 x 8 way,
 2 x 4 screw terminals for line21®-
 system line and fixed telephone
 connection data/telephone,
 with spreading claws,
 for applications up to 100Mbit/s,
 pure white (similar RAL 9010),
 80 x 80 x 31 mm, 52 g



line21®-UAE/TAE Up rw
225 112 02 ●
 Connection jack, 2 x 6 way,
 2 x 4 screw terminals for line21®-
 system line and fixed telephone
 connection data/telephone,
 with spreading claws,
 for applications up to 100Mbit/s,
 pure white (similar RAL 9010),
 80 x 80 x 31 mm, 52 g



line21®-ADAP TAE/UAE
225 100 10 ●
 Adaptercord TAE/UAE,
 for feeding-in analog telephone
 signals in a line21®-line
 (i.e. 1. TAE to line 21®-UAE 8/8),
 black, 500 mm, 15 g

Accessory for line21®-
 system devices

POF – The trendsetting cabling alternative

POF-cables (Polymer optical fibre) are being used in automobile- and lighting applications for years. Robust, easy, uncomplicated and safe connection as well as high data rates at very low costs are some of reasons for this success.

The next step is to use these advantages for home networking as well. With the multitude of new network based services in the home area (like "Triple-Quad-Play") the use of POF offers numerous of advantages for new installations and retrofitting.

The cable/fibre

Duplex cable with 2.2 mm diameter is being used. The cables are very thin and at the same time so robust that they can be installed without any trouble underneath wallpapers, baseboards or carpets. The maximum bending radiuses are much more uncritical than with glass fibre and therefore don't break as easily.

The connection

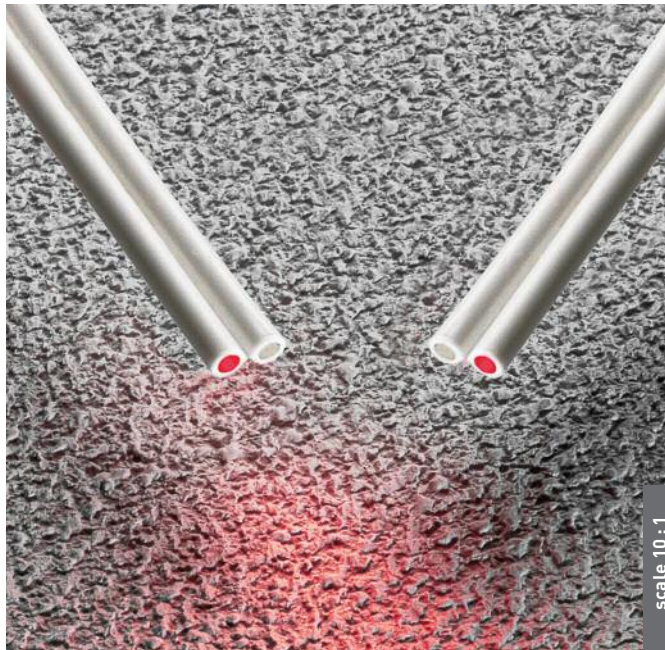
The connection takes place at the push-pull connector without any tools. After trimming the cable length, the fibres will be inserted in the optical push-pull connector and latched. Finished.

The tool

A simple cutting tool is necessary for parallel trimming of the cable. Basically, all sharp blades could be used for cutting.

The light

A visible light with a wave length of 650 nm is being used for the transmission. Unlike the laserlight, which is used for glass fibre, the light of POF is totally harmless. Furthermore, the function of the link can be checked "optically" at any time.



scale 10 : 1



DATA LIGHT is a trademark and stands for high-quality installation components in the area of POF-applications. All DATA LIGHT-products are mechanically and electrically compatible and use consistent connector-systems and POF-cable.

Certification

All POF-products are according the current standard requirements:
 Cable:
 IEC 60793-1/2 class A4a.2
 Application/tests:
 ETSI TS 105 175-1-1/1-2 soo supplemented with IEEE 802.3bv

The installation

Because of the small bending radiuses and the high robustness, the installation is very easy. Even a later retrofitting e. g. in pipes is possible. The installation next to 230-V-power cables is allowed. The maximum cable length is 100 m at data rates up to 100 Mbit/s and 55 m at 1000 Mbit/s.

The most important advantages at a glance:

- safe, radiation-free data transmission
- robust and safe connection up to 1000 Mbit/s
- easy, tool-free installation and handling
- transmission with visible light (= function control at the same time)

The applications

For all applications with data rates up to 1000 Mbit/s. The high data rates meet the requirement of applications like "Triple-Quad-Play" (IP-TV and many more).

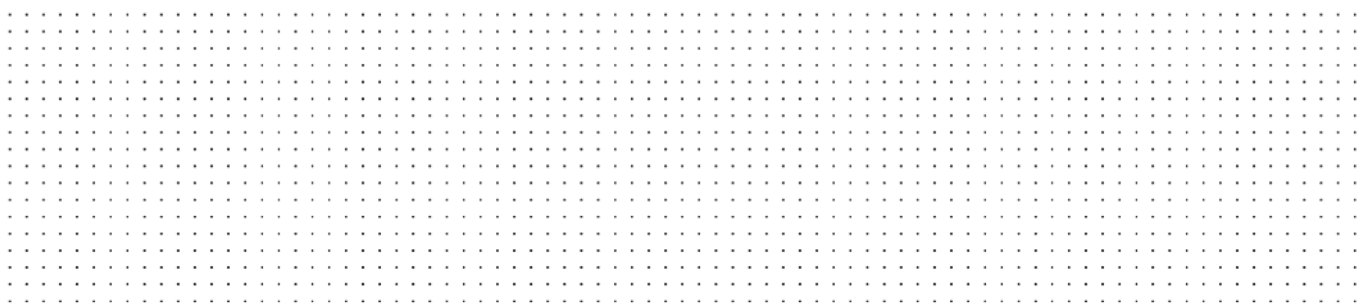
Application areas

All network application for new installations and retrofitting (up to 1000 Mbit/s):

- PC-networking
- internet access
- multimedia/"Triple-Quad-Play"
- IP-TV
- IP-telephony
- IP-building technology
- online-Gaming
- multiroom-Audio
- and any more

Cable and Installation pipe solutions

Suitable cable and installation pipe solutions with integrated POF-fibre can be obtained at Fränkischen Rohrwerke.





POF-flush mounting solution

The permanent solution for fixed installations. Suitable for the commercially available design wall plates. Depending on the application there are solutions for 100 Mbit/s or 1000 Mbit/s are available. For retrofitting of WIFI in all rooms, the AC WLAN POF/UAE is the right choice!

Performance features

- transmission length
100 m with POF 2.2 mm (100 Mbit/s)
55 m with POF 2.2 mm (1000 Mbit/s)
- Nominal operating voltage:
100-240 V~/50-60 Hz
- optical connector:
2.2 mm Duplex POF (650 nm typically)

Functional features

- transmission rate 100 Mbit/s Ethernet 10/100 TX Ethernet 100 FX (Half-/full duplex, MDI/MDIX)
- alternatively
Ethernet 10/100/1000 TX Ethernet 1000 FX (Half-/full duplex, MDI/MDIX)
- for commercially available flush-mounting installation
- integrated 230-V-power supply
- safe, radiation-free data transmission
- harmless for the eyes
- suitable for IP-TV, Multimedia and data transmission (multicast-capable)

POF – The trendsetting cabling alternative



POF-DIN-rail mounting solution

The central component for the fixed installation. Enables the setup of a central POF-distributor in a conventional electrical distribution box.

Performance features

- transmission length
100 m with POF 2.2 mm (100 Mbit/s)
55 m with POF 2.2 mm (1000 Mbit/s)
- Nominal operating voltage:
SELV; AC/DC, via screw terminals
- optical connector:
2.2 mm Duplex POF (650 nm typically)
- 1 DIN unit wide = 18 mm
- insulation class II

Functional features

- transmission rate 100 Mbit/s Ethernet 10/100 TX Ethernet 100 FX (Half-/full duplex, MDI/MDIX)
- alternatively
Ethernet 10/100/1000 TX Ethernet 1000 FX (Half-/full duplex, MDI/MDIX)
- safe, radiation-free data transmission
- harmless for the eyes
- suitable for IP-TV, Multimedia and data transmission (multicast-capable)



POF-switch-solutions

POF-switch-solutions for DIN-rail mounting or Desktop solutions complete the portfolio. Depending on the application there are devices with various interfaces available.

Performance features

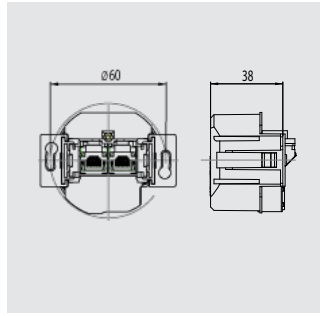
- transmission length
100 m with POF 2.2 mm (100 Mbit/s)
- optical connector:
2.2 mm Duplex POF (650 nm typically)

Functional features

- transmission rate 100 Mbit/s Ethernet 10/100 TX Ethernet 100 FX (Half-/full duplex, MDI/MDIX)
- safe, radiation-free data transmission
- harmless for the eyes
- suitable for IP-TV, Multimedia and data transmission (multicast-capable)

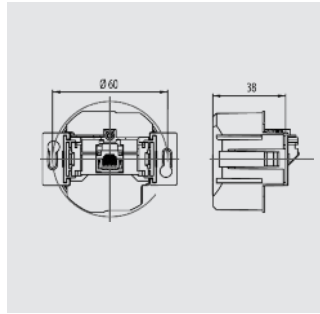
Media converter/
AC WLAN, Switches,
POF/UAE

NEW Gbit



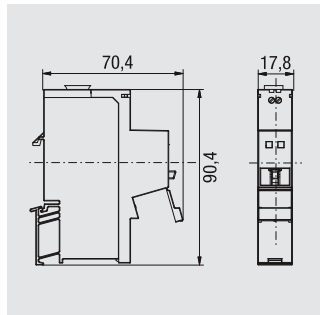
POF GB/UAE 2xUp rw 2,2 mm
180 105 070 ●
Flush-mounting media converter,
2-way, for applications up to
1000 Mbit/s,
Nominal operating voltage:
100-240 V~/50-60 Hz, 2,8 VA typ.,
70 x 53 x 50 mm, 100 g

POF/UAE 2xUp rw 2,2 mm
180 104 070 ●
for applications up to 100 Mbit/s



AC WLAN POF/UAE
1xUp rw 2,2 mm
226 104 050 ●
Flush mounting WLAN-Accesspoint,
with center plate and wall plate,
150 Mbit/s, 802.11 b/g/n, WEP/WPA2,
operating mode as well as bridge,
repeater, integrated data outlet (RJ45)
100 Mbit/s, POF network
connection (2.2 mm), rated operating
voltage 100-240 V~/ 50-60 Hz, 3 VA
typical, pure white (similar RAL 9010),
80 x 80 x 50 mm, 115 g

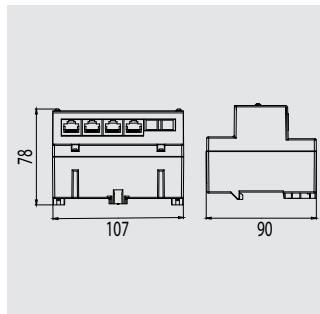
NEW Gbit



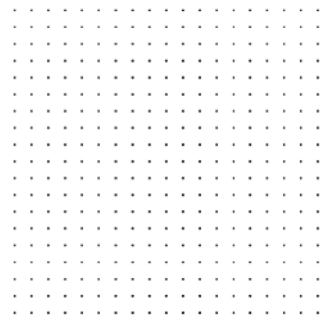
POF GB/UAE 1xPPR 2,2 mm
280 105 00 ●
DIN-rail mounting media converter,
1-way, for applications up to 1000
Mbit/s, Nominal operating voltage:
8-52 V DC, 1,9 VA typ,
light grey (similar RAL 7035),
18 x 90 x 70 mm = 1 DIN unit wide,
47 g

POF/UAE 1xPPR 2,2 mm
280 102 00
for applications up to 100 Mbit/s

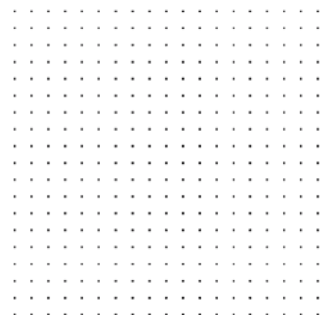
NEW



SR 1TX/4POF
280 105 01
switch for DIN-rail mounting,
(1 x UAE/4 x POF),
for applications up to 100 Mbit/s ,
Nominal operating voltage:
12-60 V DC, 1A,
light grey (similar RAL 7035),
108 x 90 x 77 mm, 6 DIN units wide,
300 g



POF/UAE 4xAp 2,2mm
180 101 03 ●
Desktop-switch 4-way
(1 x UAE/3 x POF),
For applications up to 100 Mbit/s,
Operating voltage:
100-240 V~/50-60 Hz, 1,7 VA typ.,
greenblue (similar RAL 6004),
20 x 84 x 61 mm, 160 g



POF 5xAp 2,2mm
180 101 04 ●
Desktop-switch, 5-way (5 x POF),
For applications up to 100 Mbit/s,
Operating voltage:
100-240 V~/50-60 Hz, 3,6 VA typ.,
greenblue (similar RAL 6004),
120 x 20 x 80 mm, 250 g



POF/UAE/SFP 8xAp 2,2mm
180 101 05 ●
Desktop-switch, 8-way
(1 x UAE/1 x SFP/6 x POF),
For applications up to 100 Mbit/s,
Operating voltage:
100-240 V~/50-60 Hz, 7,5 VA typ.,
greenblue (similar RAL 6004),
196 x 30 x 124 mm, 655 g



POF K 100 2,2 mm**
180 000 04 ●
POF-SI-cable, duplex, 100 m,
Fibre diameter 2.2 mm,
black (similar RAL 9005)
800 g

Keystone-modul, cable
und accessory for POF



KMK-POF
180 006 00 ●
POF-Keystone-module,
for mounting adapter KMK-MA Up
and UM-MA x Up and other
Keystone-receptacles,
Connection: 2 x POF 2,2 mm,
36 x 14 x 20 mm, 56 g



POF VB 2,2 mm
392 000 07 ●
Connector for POF-fibres,
Connection: 2 x POF 2,2 mm,
mousegrey (similar RAL 7005),
24 x 18 x 10 mm, 3 g

POF VB 1,5 mm
392 000 06 ●
Connection: 2 x POF 1,5 mm

POF-VB 1,5/2,2 mm
392 000 08 ●
Connection: 1 x POF 2,2 mm,
1 x POF 1,5 mm



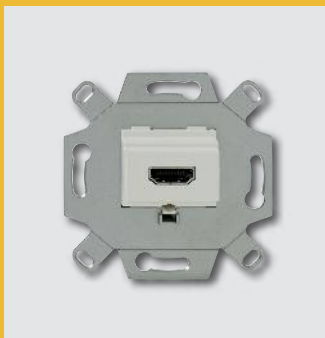
POF SW
392 000 04 ●
Cutting tool for POF-fibres
1.5/2.2 mm
red (similar RAL 3000),
44 x 31 x 8 mm, 15 g

MULTIMEDIA

Communications adapter and cable solutions

New installations in apartments are nowadays equipped with a communications infrastructure in accordance with DIN 18015-2 and RAL 678 specifying a certain level of technology. Device connections are to be integrated in the future as well – and this is not covered by simply providing a sufficient number of wall outlets. Especially for modern LCD or LED TVs, which most often are to be installed directly onto the wall, a nest of patch cables, extension cords, and numerous other unsightly wiring and connection arrangements reduce the aesthetics of such high-grade solutions. Rutenbeck communication adapters help to reduce cable clutter in workrooms, offices, training and conference rooms. Ready to use plug-in solutions are also possible if there is enough space in such areas as desks or consoles.



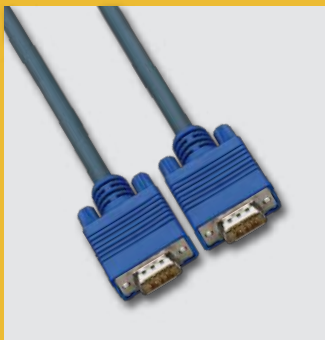


**Installation solution
 (HDMI example)**

For a trouble-free installation under consideration of the maximum bending-radiuses the use of the Kaiser "Electronics-box", Art.-No. 1068-02 or 9062-74 is recommended.

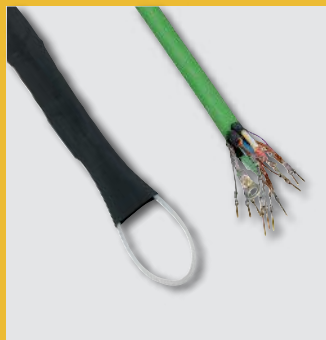


**Plug&play solution
 (HDMI example)**



**The right cable for all solutions:
 From Rutenbeck, of course!**

For reliable operation at distances of up to 20 m, Rutenbeck provides the right VGA/HDMI cable – ready to be plugged in as feeder cable or from the reel in fixed or customized lengths.



The function of all VGA/HDMI cables is guaranteed over the entire installation length.



USB-CHARGER - STRONG, FAST AND SMART

A typical family situation – always when you need a suitable charger for your smartphone or tablet, it cannot be found or everybody in the family needs it at the same time. Since the Rutenbeck USB-Charger is integrated in the installation, this situation cannot occur. In this case adequate power is very important to avoid unnecessary long charging time and also to be able to charge more than one device at one charger.

The Rutenbeck USB-Charger is best solution for these applications and of course, suits your switching program.

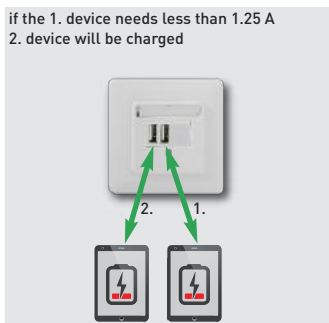
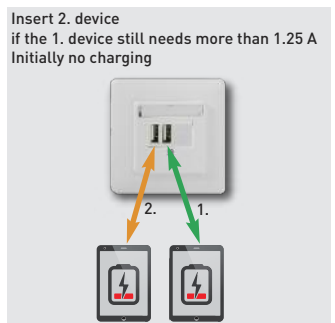
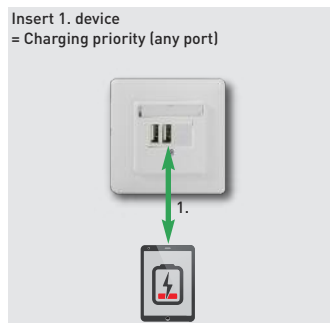
Maximum performance in flush-mounting design

The Rutenbeck USB-Charger with a charging current of 2.5 A is currently the most powerful charger on the market. The fast parallel charging of USB-devices is no problem. The standby power consumption is with less than 0.2 VA considerably lower compared to many other conventional plug power charger which means no extra costs for your budget.

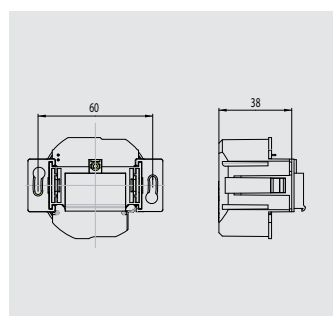
Of course, the Rutenbeck USB-Charger matches the switching program of your choice!

Parallel charging with management

With the most common chargers the parallel charging of USB-devices is only possible up to the maximum charging current and afterwards, they will shut off completely. Considering the increasing amount of devices that need and use more and more power, i.e. tablets, this can be a problem. Especially after a total discharge of an accumulator, the device can only be charged again with the original shipped plug power supply. However, this is no problem for the Rutenbeck USB-Charger. The state of the accumulator will be recognized and if necessary, re-adjusted. If an additional USB-device is connected, the first connected device will be charged until enough current for the second device is available. Then, both devices will be charged parallel up to 100%. Of course, defective accumulators (short-circuit) will be recognized and the charging function will be switched off in order to avoid any subsequent damage.



USB-solutions active



SV USB 2xUp rw
227 104 08 ●
USB charging device for flush mounting, 2-way, with center plate and wall plate, for smartphones/tablets etc., with power management, overload protection and operating indication, nominal operating voltage: 100–240 V~/ 50–60 Hz, 0,2VA typical (without USB devices), charging current max. 2.5A in total, pure white (similar RAL 9010), 80 x 80 x 50 mm, 140 g



USB-HUB - MORE THAN ONLY CHARGING

An everyday problem – with the constantly smaller dimensions of IT-equipment, the amount of available USB-interfaces decreases and are occupied instantly. In addition there is also the common “cable chaos” at desktop devices which makes the handling more difficult.

These problems can easily be solved with the Rutenbeck USB 3.0-Hub for flush mounting. Simply exchange it with a 230 V power outlet and the powerful charging of tablets with 2 A charging current will also be taken care of immediately. The perfect solution for every workplace in the office and at home and of course, the Rutenbeck Hub 3.0 also fits your switching program of your choice.

USB 3.0-“Maximum Speed”

After installation and connection of the Rutenbeck-USB Hub at 230 V, the Hub will be connected with the left port (Uplink=USB-type B (micro)) to the PC. With the two ports in the middle (USB 3.0, type A) installed USB-devices as printers or scanners, as well as USB-storages or hard drives can be connected to the PC.

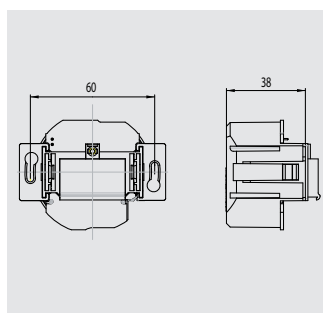
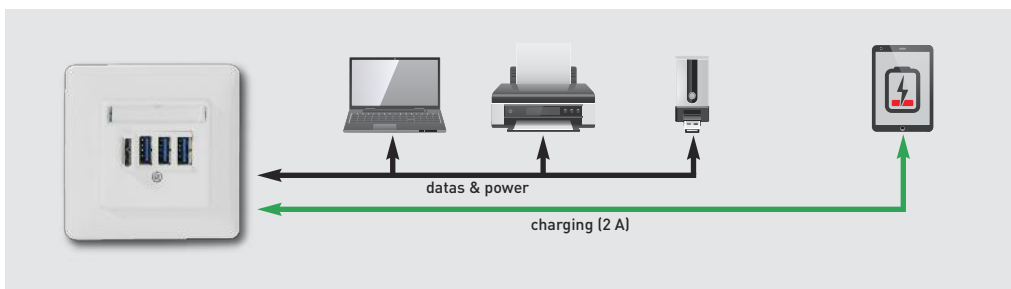
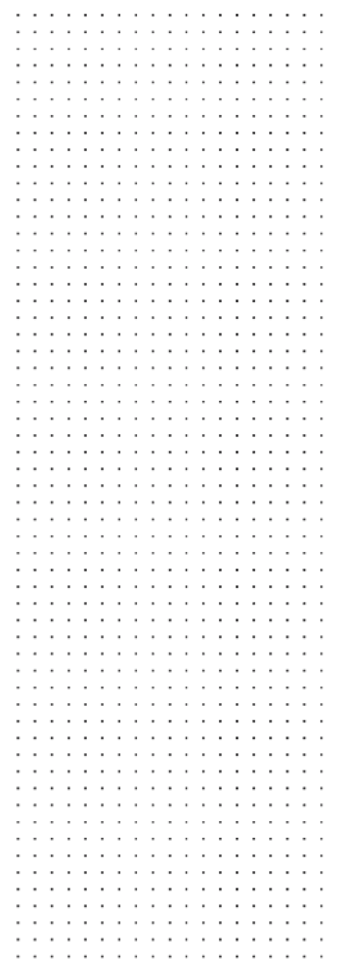
Each port delivers up to 900 mA for the necessary power supply of the connected device. With USB 3.0 the data transmission between the devices takes place with “Highspeed” up to 4.8 Gbit/s, therefore, parallel operation of the devices at the Hub is possible without any compromises.

The USB-Charger included

The port on the right side (USB type A) serves exclusively as a charging port for your tablet. With a charging current of 2A, connected USB-devices will be charged fast and effective.

Of course, mobile phones or smart phones can be charged with up to 900 mA with the center two ports. They are connected to the PC at the same time and also allow backups, updates and so on.

If the interfaces are not being used, the USB-Hub has a very low standby power consumption (0.5 VA), a lot less than the most plug power supplies, which means no extra costs for your next electricity bill.













USB 4xUp rw 227 104 07 ●




USB Hub for flush mounting, USB 3.0, with center plate and wall plate, 3-port hub for USB 3.0 devices, uplink to PC via USB 3.0 Micro USB, with charging function for Smartphones/ tablets etc., quick charging outlet (right USB-port), with powermanagement and overload protection, nominal operating voltage: 100-240 V~/ 50-60 Hz, 0.5VA typical (without USB devices), charging current max. 2A in total, pure white (similar RAL 9010), 80 x 80 x 50 mm, 140 g

USB-solutions active








Overview Communications Adapter Copper (construction kit system)



	KM-BNC-F 170 003 00		KM-BNC-C 170 003 01		KM-BNC-IEC 170 003 02 (only in combination with 170 003 00)		KM-Cinch 170 003 04 (rw*) 170 003 05 (sw***) 170 003 06 (red) 170 003 07 (yellow)		KM-MK 3,5 mm 170 003 03 (Stereo)		KM-LS 170 003 08 (sw***) 170 003 09 (red) (Banana)
	BNC-F (Antenna)										
	Up 170 000 01 Up rw* 170 000 51 Up g** 170 000 61										
	BNC-C/IEC/Cinch (Antenna/Koax)		Up 170 000 03 Up rw* 170 000 53 Up g** 170 000 63	Up 170 000 03 Up rw* 170 000 53 Up g** 170 000 63	Up 170 000 03 Up rw* 170 000 53 Up g** 170 000 63						
	Mini-Klinke 3,5mm (Headphone)							Up 170 000 02 Up rw* 170 000 52 Up g** 170 000 62			
	LS-MA Up (Loudspeaker)									Up 170 000 04 Up rw* 170 000 54 Up g** 170 000 64	

Overview Communications Adapter Copper (complete version)

	USB 2.0	USB 2.0 -jack	Up 0 170 105 01	Up 0 rw* 170 105 51	Up 0 g** 170 105 61
	USB 3.0	USB 3.0 - jack	Up 0 170 105 04	Up 0 rw* 170 105 54	Up 0 g** 170 105 64
	VGA	VGA- jack	Up 0 170 105 02	Up 0 rw* 170 105 52	Up 0 g** 170 105 62
		VGA-jack with pigtail	Up 0 170 105 05	Up 0 rw* 170 105 55	Up 0 g** 170 105 65
	HDMI	HDMI- jack	Up 0 170 105 03	Up 0 rw* 170 105 53	Up 0 g** 170 105 63

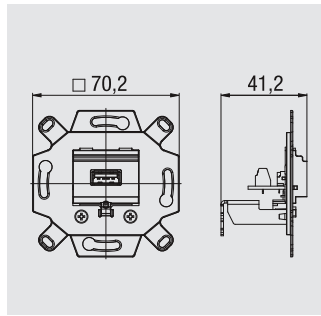
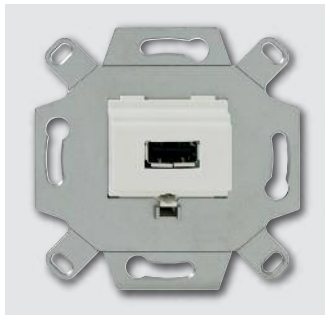
*rw = pure white
** g = grey
***sw = black

Overview Communications Adapter FOC, POF (construction kit system)				
	 KM-SC-M 172 003 00 KM-SC-S 172 003 03	 KM-SC-M Duplex 172 003 01 KM-SC-S Duplex 172 003 04	 KM-LC-M 172 003 06 KM-LC-S 172 003 07	 KM-ST-M 172 003 02 KM-ST-S 172 003 05
 SC/LC (LWL)	Up 172 000 01 Up rw* 172 000 51 Up g** 172 000 61		Up 172 000 01 Up rw* 172 000 51 Up g** 172 000 61	
 SC-Duplex (LWL)		Up 172 000 02 Up rw* 172 000 52 Up g** 172 000 62		
 ST (LWL)				Up 172 000 03 Up rw* 172 000 53 Up g** 172 000 63

Wall plates and center plates, suitable for all Communications Adapter						
 Wall plate	Wall plate	<table border="1"> <tr> <td>AP</td> <td>AP rw*</td> </tr> <tr> <td>100 100 01</td> <td>100 100 51</td> </tr> </table>	AP	AP rw*	100 100 01	100 100 51
AP	AP rw*					
100 100 01	100 100 51					
 Center plate	Center plate	<table border="1"> <tr> <td>ZSt UM-MA 2</td> <td>ZSt UM-MA 2 rw*</td> </tr> <tr> <td>139 100 03</td> <td>139 100 53</td> </tr> </table>	ZSt UM-MA 2	ZSt UM-MA 2 rw*	139 100 03	139 100 53
ZSt UM-MA 2	ZSt UM-MA 2 rw*					
139 100 03	139 100 53					

*rw = pure white
** g = grey

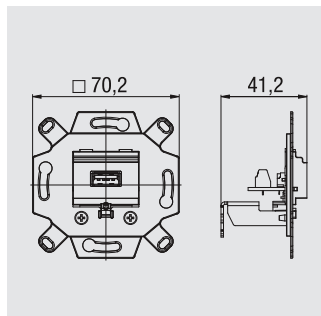
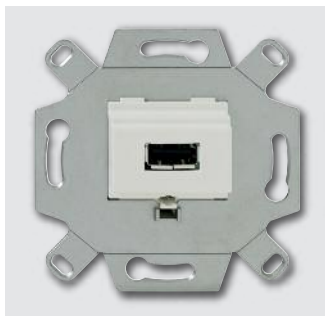
Communications adapter
copper, jacks



KM-USB Up 0
170 105 01 ●
USB-jack, 1-way,
with 5 screw terminals,
for customary TAE-center
plates, can be combined with
ZSt UM-MA 2 and wall plate
AP, break off mounting ring
can be converted into
mounting bracket,
pearl white (similar RAL 1013),
70 x 70 x 41 mm, 43 g

KM-USB Up 0 rw
170 105 51 ●
pure white (similar RAL 9010)

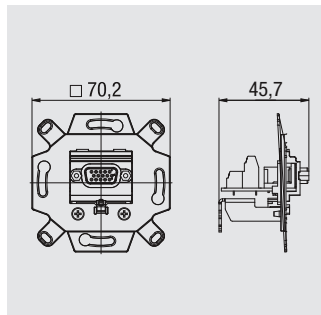
KM-USB Up 0 g
170 105 61 ●
mousegrey (similar RAL 7005)



KM-USB 3.0 Up 0
170 105 04 ●
USB 3.0 -jack, 1-way, with 5
screw terminals, for customary
TAE-center plates, can be
combined with ZSt UM-MA 2
and wall plate AP, break off
mounting ring can be converted
into mounting bracket,
pearl white (similar RAL 1013),
70 x 70 x 41 mm, 43 g

KM-USB 3.0 Up 0 rw
170 105 54 ●
pure white (similar RAL 9010)

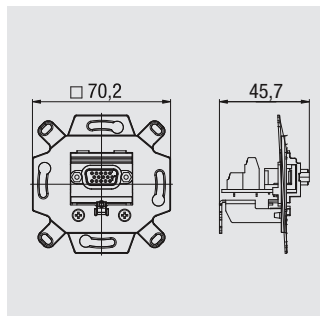
KM-USB 3.0 Up 0 g
170 105 64 ●
mousegrey (similar RAL 7005)



KM-VGA Up 0
170 105 02 ●
VGA-jack, 1-way, with 14
screw terminals, for customary
TAE-center plates, can be
combined with ZSt UM-MA 2
and wall plate AP, break off
mounting ring can be converted
into mounting bracket,
pearl white (similar RAL 1013),
70 x 70 x 46 mm, 58 g

KM-VGA Up 0 rw
170 105 52 ●
pure white (similar RAL 9010)

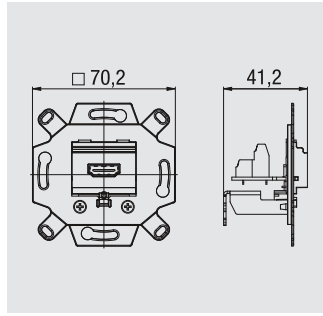
KM-VGA Up 0 g
170 105 62 ●
mousegrey (similar RAL 7005)



KM-VGA KP Up 0
170 105 05 ●
VGA-jack, 1-way, with pigtail
(30 cm), for customary
TAE-center plates, can be
combined with ZSt UM-MA 2
and wall plate AP, break off
mounting ring can be converted
into mounting bracket,
pearl white (similar RAL 1013),
70 x 70 x 46 mm, 58 g

KM-VGA KP Up 0 rw
170 105 55 ●
pure white (similar RAL 9010)

KM-VGA KP Up 0 g
170 105 65 ●
mousegrey (similar RAL 7005)

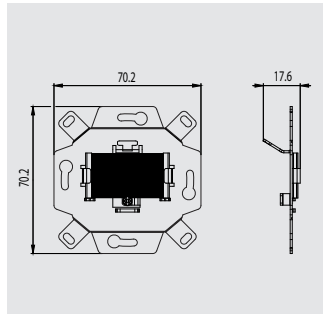
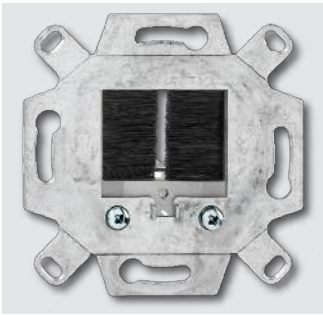


KM-HDMI Up 0
170 105 03 ●
 HDMI-jack, 1-way,
 with 20 screw terminals,
 for customary TAE-center plates,
 can be combined with ZSt UM-MA 2
 and wall plate AP, break off
 mounting ring can be converted
 into mounting bracket,
 pearl white (similar RAL 1013),
 70 x 70 x 41 mm, 53 g

Communications adapter
 copper, jacks

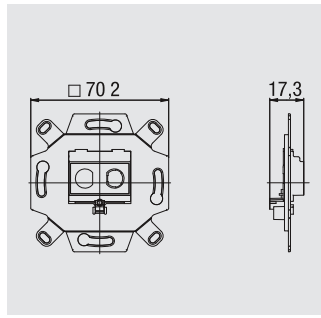
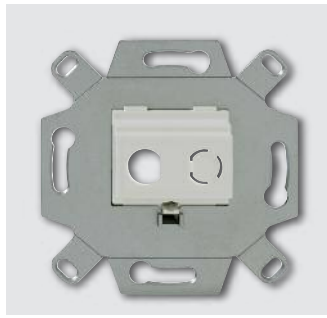
KM-HDMI Up 0 rw
170 105 53 ●
 pure white (similar RAL 9010)

KM-HDMI Up 0 g
170 105 63 ●
 mousegrey (similar RAL 7005)



KD Up 0
193 105 10 ●
 Universal cable feedthrough
 for flush mounting,
 cut out size of the cable feed
 through 32.5 x 17.5 mm, for
 customary TAE-center plates,
 break off mounting ring can be
 converted into mounting bracket,
 with strain relief on the backside
 70 x 70 x 17 mm, 46 g

Communications adapter
copper,
mounting adapter



BNC-F-MA Up

170 000 01 ●

Mounting adapter (flush mounting) for BNC-F, 2-way, for customary TAE-center plates, can be combined with ZSt UM-MA 2 and wall plate AP, break off mounting ring can be converted into mounting bracket, pearl white (similar RAL 1013), 70 x 70 x 17 mm, 25 g

BNC-F-MA Up rw

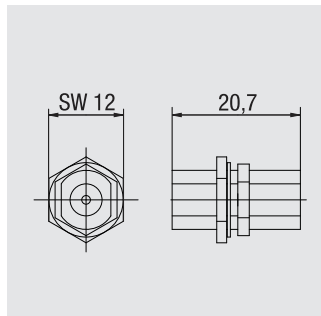
170 000 51 ●

pure white (similar RAL 9010)

BNC-F-MA Up g

170 000 61 ●

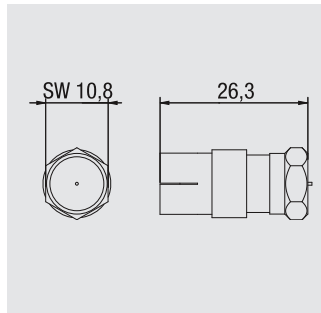
mousegrey (similar RAL 7005)



KM-BNC-F

170 003 00 ●

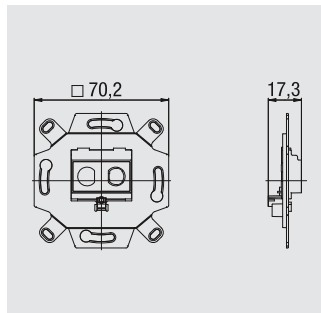
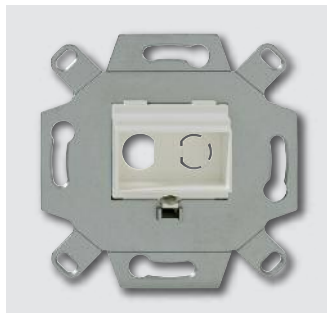
BNC-F-jack, 12 mm, for mounting adapter BNC-F-MA Up, screw connection, 12 x 12 x 21 mm, 5 g



KM-BNC-IEC

170 003 02 ●

BNC-IEC-jack, screw connection, only in combination with 170 003 00, 11 x 11 x 26 mm, 8 g



BNC-C/IEC/Cinch-MA Up

170 000 03 ●

Mounting adapter (flush mounting) for BNC-C/IEC/Cinch-connections, 2-way, for customary TAE-center plates, can be combined with ZSt UM-MA 2 and wall plate AP, break off mounting ring can be converted into mounting bracket, pearl white (similar RAL 1013), 70 x 70 x 17 mm, 25 g

BNC-C/IEC/Cinch-MA Up rw

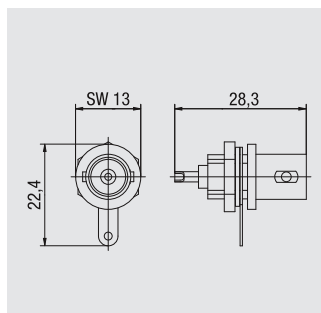
170 000 53 ●

pure white (similar RAL 9010)

BNC-C/IEC/Cinch-MA Up g

170 000 63 ●

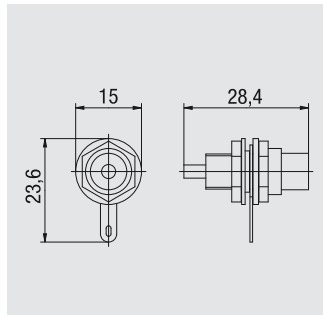
mousegrey (similar RAL 7005)



KM-BNC-C

170 003 01 ●

BNC-C-connector, for mounting adapter BNC-C/IEC/Cinch-MA Up, soldering tag, 22 x 13 x 28 mm, 6 g



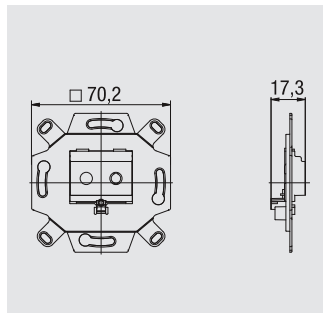
KM-Cinch rw
170 003 04 ●
Cinch-jack, for mounting adapter
BNC-C/IEC/Cinch-MA Up,
soldering tag, white,
15 x 24 x 28 mm, 8 g

KM-Cinch sw
170 003 05 ●
black (similar RAL 9005)

KM-Cinch rot
170 003 06 ●
red (similar RAL 3000)

KM-Cinch yellow
170 003 07 ●
yellow (similar RAL 1021)

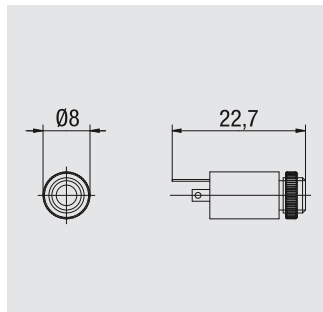
Communications adapter
copper,
mounting adapter



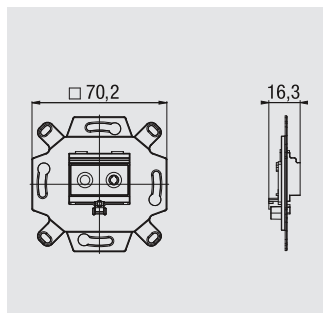
MK-MA Up
170 000 02 ●
Mounting adapter (flush mounting)
for 3.5 mm mini-connections,
2-way, for customary TAE-center
plates, can be combined with ZSt
UM-MA 2 and wall plate AP,
break off mounting ring can be
converted into mounting bracket,
pearl white (similar RAL 1013),
70 x 70 x 17 mm, 25 g

MK-MA Up rw
170 000 52 ●
pure white (similar RAL 9010)

MK-MA Up g
170 000 62 ●
mousegrey (similar RAL 7005)



KM-MK 3,5 mm
170 003 03 ●
Mini-jack, 3.5 mm,
for mounting adapter MK-MA Up,
soldering tag,
8 x 8 x 23 mm, 3 g

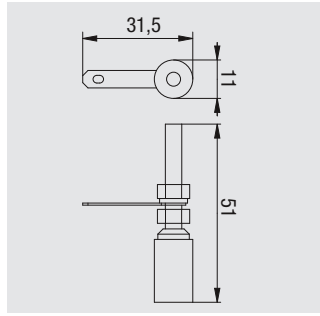


LS-MA Up
170 000 04 ●
Mounting adapter (flush mounting)
for KM-LS-connections, 2-way,
for customary TAE-center plates,
can be combined with ZSt UM-MA 2
and wall plate AP,
break off mounting ring can be
converted into mounting bracket,
pearl white (similar RAL 1013),
70 x 70 x 17 mm, 25 g

LS-MA Up rw
170 000 54 ●
pure white (similar RAL 9010)

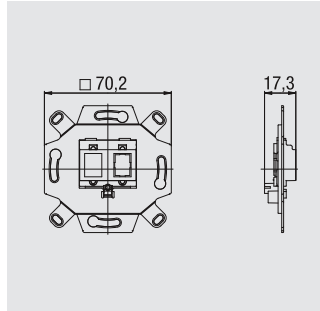
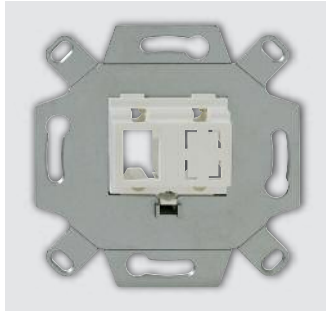
LS-MA Up g
170 000 64 ●
mousegrey (similar RAL 7005)

Communications adapter
copper, connectors,
fibre optics couplings



KM-LS sw
170 003 08 ●
LS-jack, for mounting adapter
LS-MA Up, cable lug/soldering tag
(ground),
black (similar RAL 9005),
11 x 32 x 51 mm, 17 g

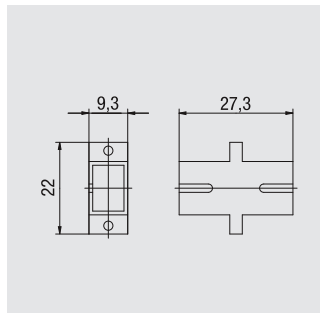
KM-LS rot ●
170 003 09
red (similar RAL 3000)



SC/LC-MA Up
172 000 01 ●
Mounting adapter (flush mounting)
for SC-connections, 2-way, for
customary TAE-center plates,
can be combined with ZSt UM-MA 2
and wall plate AP, break off
mounting ring can be converted
into mounting bracket,
pearl white (similar RAL 1013),
70 x 70 x 17 mm, 26 g

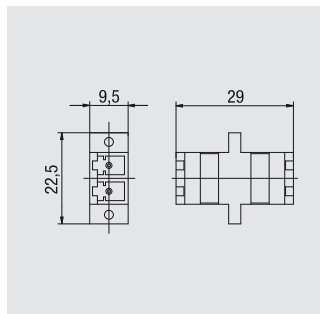
SC/LC-MA Up rw
172 000 51 ●
pure white (similar RAL 9010)

SC/LC-MA Up g
172 000 61 ●
mousegrey (similar RAL 7005)



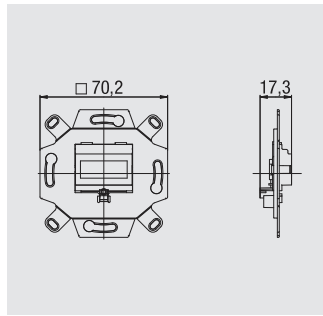
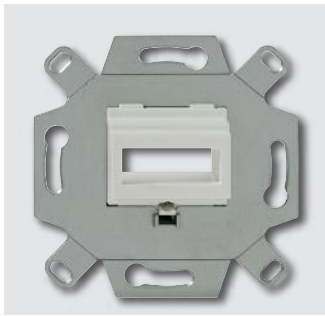
KM-SC-M
172 003 00 ●
SC-coupling, multimode,
for mounting adapter SC/LC-MA Up,
screw connection,
9 x 22 x 27 mm, 10 g

KM-SC-S
172 003 03 ●
SC-coupling, singlemode,
screw connection,
9 x 22 x 27 mm, 10 g



KM-LC-M
172 003 06 ●
LC-coupling, multimode,
for mounting adapter SC/LC-MA Up,
screw connection,
10 x 23 x 29 mm, 8 g

KM-LC-S
172 003 07 ●
LC-coupling,
singlemode

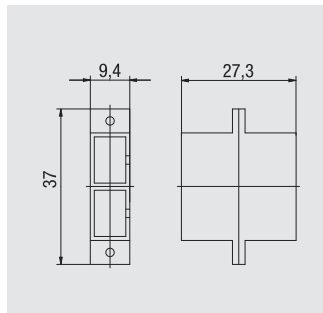


SC Duplex-MA Up
172 000 02 ●
Mounting adapter (flush mounting) for SC-Duplex-connections, 1-way, for customary TAE-center plates, can be combined with ZSt UM-MA 2 and wall plate AP, break off mounting ring can be converted into mounting bracket, pearl white (similar RAL 1013), 70 x 70 x 17 mm, 26 g

SC Duplex-MA Up rw
172 000 52 ●
pure white (similar RAL 9010)

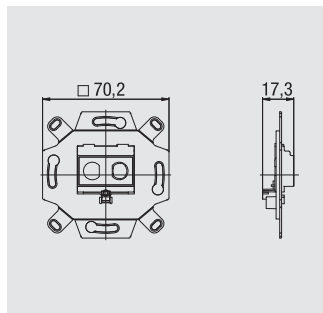
SC Duplex-MA Up g
172 000 62 ●
mousegrey (similar RAL 7005)

Communications adapter,
fibre optics couplings



KM-SC-M Duplex
172 003 01 ●
SC-Duplex-coupling, multimode, for mounting adapter SC Duplex-MA Up, screw connection, 9 x 37 x 27 mm, 19 g

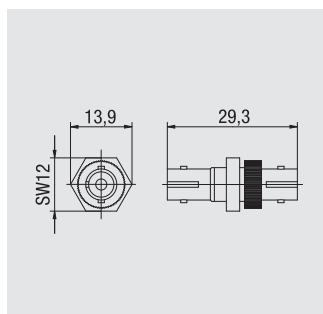
KM-SC-S Duplex
172 003 04 ●
SC-Duplex-coupling, singlemode, screw connection



ST-MA Up
172 000 03 ●
Mounting adapter (flush mounting) for ST-connections, 2-way, for customary TAE-center plates, can be combined with ZSt UM-MA 2 and wall plate AP, break off mounting ring can be converted into mounting bracket, pearl white (similar RAL 1013), 70 x 70 x 17 mm, 26 g

ST-MA Up rw
172 000 53 ●
pure white (similar RAL 9010)










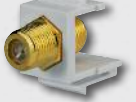



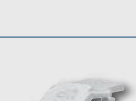



ST-MA Up g
172 000 63 ●
mousegrey (similar RAL 7005)

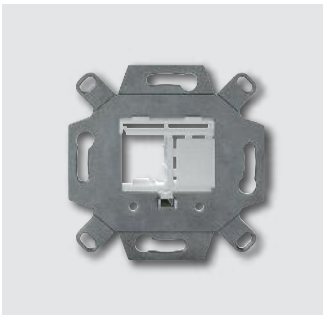


KM-ST-M
172 003 02 ●
ST-coupling, multimode, for mounting adapter ST-MA Up, single-hole assembly, 14 x 12 x 29 mm, 8 g

KM-ST-S
172 003 05 ●
ST-coupling, singlemode

Overview communications adapter FOC, POF (construction kit system)

					
 Cat.6 coupling 139 003 60  Cat.6 Angular coupling 139 003 70	<p>KMK-MA Up rw*</p> <p>170 000 55</p> <p>KMK-MA Up sw*</p> <p>170 000 65</p>	<p>UMflex-ApG rw*</p> <p>139 115 01</p>	<p>PP-UM A-6 Ap</p> <p>239 101 06</p>	<p>PP-UM A-24/1</p> <p>239 000 00</p>	<p>CP-UM A-12 Ap</p> <p>239 101 12</p>
 KMK-HDMI 170 106 53 (rw*) 170 106 63 (sw**)	<p>Mounting adapter, 1/2-way, without keystones</p>	<p>Surface mounting housing, 3-way, without keystones, cable entry only from top page 18</p>	<p>Surface mounting- patch panel, without keystones page 20</p>	<p>Patch panel, 24 Ports, 19"/1 U, for direct moun- ting, without keystones page 20</p>	<p>Surface mounting housing, 12-way, without keystones page 20</p>
 KMK-HDMI KP 170 106 52 (rw*) 170 106 62 (sw**)			<p>PP-UM A-12 Ap</p> <p>239 101 16</p>		
 KMK-USB 170 106 51 (rw*) 170 106 61 (sw**)			<p>Surface mounting- patch panel, without keystones page 20</p>		
 KMK-USB 3.0 170 106 50 (rw*) 170 106 60 (sw**)					
 KMK-BNC-F 170 006 00 (rw*) 170 006 60 (sw**)			<p>MM Ap</p> <p>239 101 18</p>		
 KMK-BNC-C 170 006 01 (rw*) 170 006 61 (sw**)			<p>Multimedia patch panel, without keystones, page 21</p>		
 KMK-Cinch 170 006 04 (rw* rw*) 170 006 05 (sw** rw*) 170 006 06 (red rw*) 170 006 07 (yellow rw*) 170 006 64 (rw* sw**) 170 006 65 (sw** sw**) 170 006 66 (red sw**) 170 006 67 (yellow sw**)					
 KMK-LS 170 006 08 (sw** rw*) 170 006 09 (red rw*) 170 006 68 (sw** sw**) 170 006 69 (red sw**)					
 KMK-ST-M 172 006 02 (rw*) 172 006 62 (sw**)					
 KMK-ST-S 172 006 05 (rw*) 172 006 65 (sw**)					
 KMK-LC-M 172 006 06 (rw*) 172 006 66 (sw**)					
 KMK-LC-S 172 006 07 (rw*) 172 006 67 (sw**)					



KMK-MA Up rw
 170 000 55 ●
 Mounting adapter (flush mounting) for Keystone-modules KMK, 2-way, for customary TAE-center plates, can be combined with ZSt UM-MA 2 and wall plate AP, break off mounting ring can be converted into mounting bracket, pure white (similar RAL 9010)
 70 x 70 x 17 mm, 26 g

Communications adapter,
 Keystone design,
 mounting adapter

KMK-MA Up sw
 170 000 65 ●
 black (similar RAL 9005)



KMK-HDMI rw
 170 106 53 ●
 HDMI-Keystone (jack/jack) for mounting adapter KMK-MA Up and other Keystone-receptacles, pure white (similar RAL 9010)

Communications adapter,
 Keystone design,
 keystones

KMK-HDMI sw
 170 106 63 ●
 black (similar RAL 9005)



KMK-HDMI KP rw
 170 106 52 ●
 HDMI-Keystone (jack/jack) for mounting adapter KMK-MA Up, with pigtails (30 cm) and other Keystone-receptacles, pure white (similar RAL 9010)

KMK-HDMI KP sw
 170 106 62 ●
 black (similar RAL 9005)



KMK-USB rw
 170 106 51 ●
 USB-Keystone, USB 2.0 USB-A (jack/jack) for mounting adapter KMK-MA Up and other Keystone-receptacles, pure white (similar RAL 9010)

KMK-USB sw
 170 106 61 ●
 black (similar RAL 9005)



KMK-USB 3.0 rw
 170 106 50 ●
 USB-Keystone, USB 3.0 USB-A (jack/jack) for mounting adapter KMK-MA Up and other Keystone-receptacles, pure white (similar RAL 9010)

KMK-USB 3.0 sw
 170 106 60 ●
 black (similar RAL 9005)

Communications adapter,
Keystone design,
Keystones



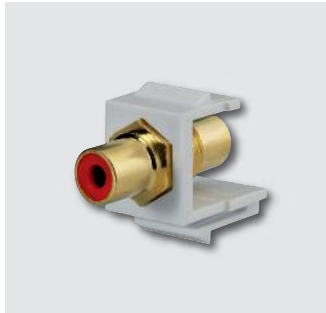
KMK-BNC-F rw
170 006 00 ●
BNC-F-Keystone, screw
connection (socket/socket),
for mounting adapter KMK-MA Up
and other Keystone-receptacles,
pure white (similar RAL 9010)

KMK-BNC-F sw
170 006 60 ●
black (similar RAL 9005)



KMK-BNC-C rw
170 006 01 ●
BNC-C-Keystone,
(socket/socket),
for mounting adapter KMK-MA Up
and other Keystone-receptacles,
pure white (similar RAL 9010)

KMK-BNC-C sw
170 006 61 ●
black (similar RAL 9005)



KMK-Cinch rw rw
170 006 04 ●
Cinch-Keystone, white,
(jack/jack)
for mounting adapter KMK-MA Up
and other Keystone-receptacles,
pure white (similar RAL 9010)

KMK-Cinch sw rw
170 006 05 ●
Cinch-Keystone, black,
pure white (similar RAL 9010)

KMK-Cinch rot rw
170 006 06 ●
Cinch-Keystone, red,
pure white (similar RAL 9010)

KMK-Cinch gelb rw
170 006 07 ●
Cinch-Keystone, yellow,
pure white (similar RAL 9010)

KMK-Cinch rw sw
170 006 64 ●
Cinch-Keystone, white,
black (similar RAL 9005)

KMK-Cinch sw sw
170 006 65 ●
Cinch-Keystone, black,
black (similar RAL 9005)

KMK-Cinch rot sw
170 006 66 ●
Cinch-Keystone, red,
black (similar RAL 9005)

KMK-Cinch gelb sw
170 006 67 ●
Cinch-Keystone, yellow,
black (similar RAL 9005)



KMK-LS sw rw
170 006 08 ●
LS-Keystone, black,
(jack/jack)
for mounting adapter KMK-MA Up
and other Keystone-receptacles,
pure white (similar RAL 9010)

KMK-LS rot rw
170 006 09 ●
LS-Keystone, red,
pure white (similar RAL 9010)

KMK-LS sw sw
170 006 68 ●
LS-Keystone, black,
black (similar RAL 9005)

KMK-LS rot sw
170 006 69 ●
LS-Keystone, red,
black (similar RAL 9005)



KMK-ST-M rw
172 006 02 ●
ST-coupling, Keystone,
multimode,
for mounting adapter KMK-MA Up
and other Keystone-receptacles,
pure white (similar RAL 9010)

KMK-ST-M sw
172 006 62 ●
black (similar RAL 9005)

KMK-ST-S rw
172 006 05 ●
ST-coupling, Keystone,
singlemode,
for mounting adapter KMK-MA Up
and other Keystone-receptacles,
pure white (similar RAL 9010)

KMK-ST-S sw
172 006 65 ●
black (similar RAL 9005)



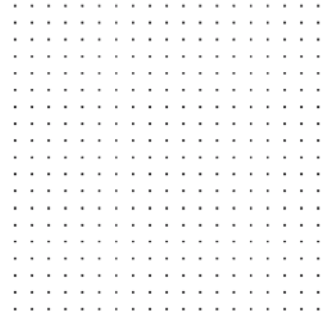
KMK-LC-M rw
172 006 06 ●
LC-coupling, Keystone,
multimode,
for mounting adapter KMK-MA Up
and other Keystone-receptacles,
pure white (similar RAL 9010)

KMK-LC-M sw
172 006 66 ●
black (similar RAL 9005)

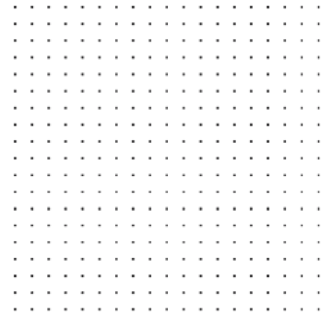
KMK-LC-S rw
172 006 07 ●
LC-coupling, Keystone,
singlemode,
for mounting adapter KMK-MA Up
and other Keystone-receptacles,
pure white (similar RAL 9010)

KMK-LC-S sw
172 006 67 ●
black (similar RAL 9005)

Communications adapter,
Keystone design,
Keystones

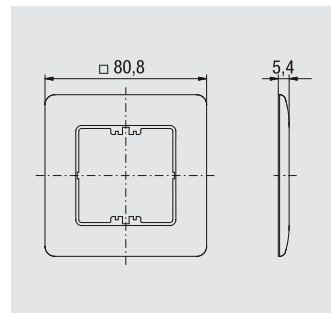


KMK-POF
180 006 00 ●
POF-coupling, Keystone,
for mounting adapter KMK-MA Up
and other Keystone-receptacles,
connection: 2x POF 2.2 mm,
black (similar RAL 9005),
36 x 14 x 20 mm, 56 g



KMK-BK rw
170 100 52 ●
Blind cover,
for mounting adapter KMK-MA Up
and other Keystone-receptacles,
pure white (similar RAL 9010)

KMK-BK sw
170 100 62
black (similar RAL 9005)

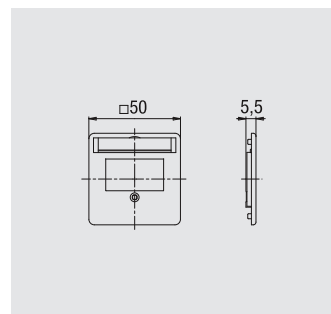
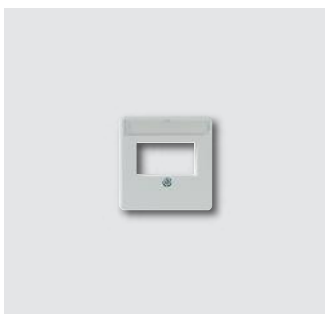


AP
100 100 01 ●
Wall plate, for mounting
adapter UM-MA 2 Up,
UM-MA 3 Up and for
communications adapter,
pearl white (similar RAL 1013),
80 x 80 x 5 mm, 12 g

AP rw
100 100 51 ●
pure white (similar RAL 9010)

Wall plates, center plates
and accessory for the
communications adapter

Wall plates and
center plates made of ABS,
available in pearl white
(similar RAL 1013) and
pure white (similar RAL 9010)



ZSt UM-MA 2
139 100 03 ●
Center plate,
for 2 modular outlets RJ 45,
with labelling strip,
for UM-MA 2 Up,
pearl white (similar RAL 1013),
50 x 50 x 6 mm, 6 g

ZSt UM-MA 2 rw
139 100 53 ●
pure white (similar RAL 9010)

HDMI

Through the optimized HDMI cables specifically designed for installation in professional applications, high bandwidths can be transmitted over long distances. All communication signals (data, clock, audio, etc.) are transmitted in this case, as well as the copy protection HDCP.



Technical characteristics								
Article-description	flame-retardant (FR)	flammability rate (V0)	Cable diameter	Connector types	HDMI Standard	HDMI High Speed	3D-capable	4k-capable
AK HDMI		x	12,0mm	connector/connector	x	up to 5 m	x	x
EK HDMI	x		10,0mm	connector/direct connection		x	x	x
K HDMI	x		10,0mm	connector/connector		x	x	x
K HDMI-CC	x		10,0mm	direct connection/direct connection		x	x	x
K HDMI 1m	x		10,0mm	additional length for K HDMI		x	x	x
AK ES HDMI		x	12,0mm	connector/round connector	x		x	x
AKE HDMI		x	7,5mm	connector/connector		x	x	x

Rutenbeck HDMI-cables are available as male/male or as a feeder cable. The feeder cables are already equipped with a male jack. At the other end of the cable, there is a pulling aid, with which the cable can be pulled, for example, into cable ducts.

The maximum resolution in relation to the length can be retrieved from the planning matrix on page 85.

VGA

Rutenbeck VGA-cables are available as male/female, male/male, or as a feeder cable. The feeder cables are already equipped with a male jack. At the other end of the cable, there is a pulling aid, with which the cable can be pulled, for example, into cable ducts.

not needed. Both versions, finished cables as well as feeder solutions, are available in standard lengths of 5–20 m, in any intermediate/special lengths upon request.

The maximum resolution in relation to the length can be retrieved from the planning matrix on page 88.

The shrink-fitted cable loop is removed next. Then the crimped finished single wires can be immediately placed on male or female jacks. Special tools are

In this case, order the pre-packaged length (1 m) and corresponding required additional lengths (prepackaged length + X x additional length = total length). Crimp sets for male/female jacks and the required crimper can be ordered as well.

Technical characteristics						
Article-description	halogen-free (OH)	flame-retardant (FR)	flammability rate (V0)	Cable diameter	Connector types	VGA-solution
VK VGA		x		8,0 mm	connector/connector (incl. Gender Changer)	QXGA
EK VGA	x		x	7,3 mm	connector/crimp connection	WUXGA
K VGA-S	x		x	7,3 mm	connector/connector	WUXGA
K VGA-B	x		x	7,3 mm	connector/jack	WUXGA
K VGA-CC	x		x	7,3 mm	crimp connection/crimp connection	WUXGA
K VGA	x		x	7,3 mm	additional length for K VGA/S/B/CC	WUXGA
AK ES VGA		x		8,0 mm	connector/round connector	QXGA

QXGA = 2048 x 1536 dpi, WUXGA = 1920 x 1200 dpi

Rutenbeck multimedia solutions: Always right...

High-quality equipment in the field of audio and video with increasing demands require a high signal quality. Wrong cables or unsuitable connection and adapter solutions, however, can lead to significant performance losses and limit the listening and viewing pleasure, or even make viewing or listening completely impossible.

The use of matched and coordinated components is recommended. Multimedia cables and solutions offered by Rutenbeck enable extremely long connection paths when the supplying device (source) and the terminal device are linked directly without the need for additional amplification, signal conversion and without additional energy consumption. Connect – and you are done.

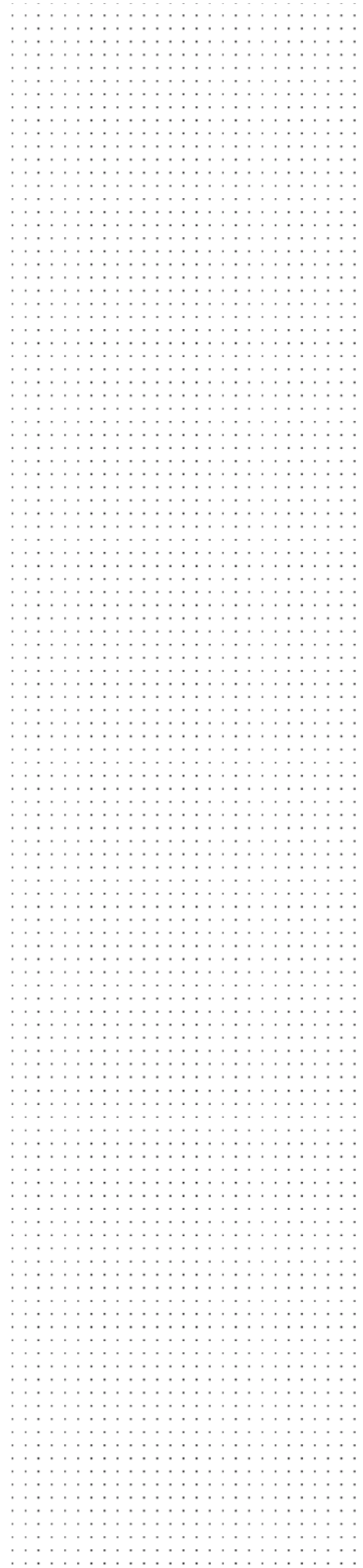
Since passive solutions do not require any power supplies, these solutions are energy savers in the truest sense of the word and therefore "green" solutions.



Accessories

Matching male/female jacks are available for the feeder cables with prefinished crimped wires.

Cable matrix HDMI								
Resol.	H	V	Refresh	MHz	5 m	10 m	15 m	20 m
SVGA	800	600	60	41	D1	D1	D1	D1
	800	600	75	51	D1	D1	D1	D1
	800	600	85	58	D1	D1	D1	D1
XGA	1024	768	60	67	D1	D1	D1	D1
	1024	768	75	84	D1	D1	D1	D1
	1024	768	85	95	D1	D1	D1	D1
WXGA	1366	768	60	89	D1	D1	D1	D1
	1366	768	75	112	D1	D1	D1	D1
	1366	768	85	127	D1	D1	D1	D1
SXGA	1280	1024	60	112	D1	D1	D1	D1
	1280	1024	75	140	D1	D1	D1	D1
	1280	1024	85	158	D1	D1	D1	D1
WSXGA	1600	1024	60	140	D1	D1	D1	D1
UXGA	1600	1280	60	164	D1	D1	D1	D1
WUXGA	1920	1280	60	165	D1	D1	D1	D1
WQXGA	2560	1600	60	330	D2	D2	D2	D2



Installation solutions
HDMI connection cable
HDMI feeder cable



AK HDMI 5 m
218 000 050 ●
HDMI connection cable,
ready to connect,
black,
5 m (male/male),
12,0 mm Ø, 420 g

AK HDMI 10 m
218 000 100 ●
10 m (male/male),
12,0 mm Ø, 1500 g

AK HDMI 15 m
218 000 150 ●
15 m (male/male),
12,0 mm Ø, 2280 g

AK HDMI 20 m
218 000 200 ●
20 m (male/male),
12,0 mm Ø, 3040 g



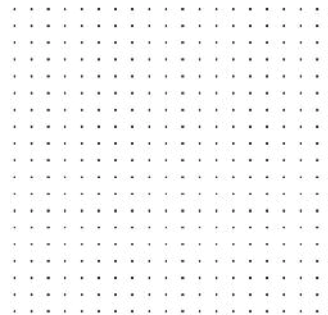
EK HDMI 5 m
218 300 05 ●
HDMI feeder cable,
ready to connect,
magenta,
5 m (male/crimp termination),
10,0 mm Ø, 1440 g

EK HDMI 10 m
218 300 10 ●
10 m (male/crimp termination),
10,0 mm Ø, 2100 g

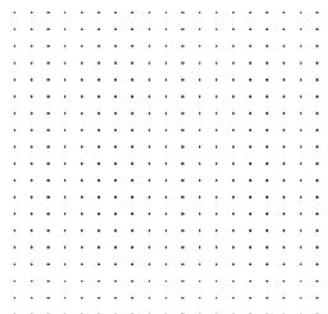
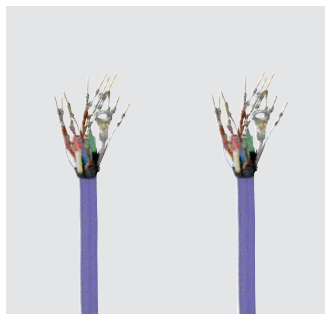
EK HDMI 15 m
218 300 15 ●
15 m (male/crimp termination),
10,0 mm Ø, 2800 g

EK HDMI 20 m
218 300 20 ●
20 m (male/crimp termination),
10,0 mm Ø, 3500 g

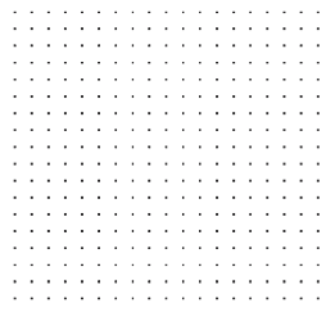
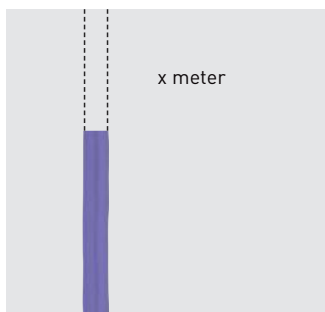
Installation solutions
HDMI cable
HDMI cable, customized



K HDMI
218 200 01 ●
HDMI connection cable,
ready to connect,
magenta,
1 m (male/male),
10,0 mm Ø



K HDMI-CC
218 500 01 ●
HDMI connection cable,
ready to connect,
magenta,
1 m (crimp termination/
crimp termination),
10,0 mm Ø



K HDMI 1 m
218 200 02 ●
HDMI additional lengths, 1 m,
to K HDMI and K HDMI-CC,
magenta,
10,0 mm Ø, 1440 g,*

K HDMI 100 m
218 200 00 ●
HDMI cable, 100 m, on bulk rolls,
magenta,
10,0 mm Ø, 144.000 g,*



AK ES HDMI 4,7 m
218 400 05 ●
 HDMI-terminal devices- connection cable, flexible feeder cable, 4.7 m, with plug and round connector (ø 17 mm), black, 12,0 mm Ø, 480 g

AK ES HDMI 9,7 m
218 400 10 ●
 9.7m, with plug and round connector, black, 12,0 mm Ø, 950 g

AK ES HDMI 14,7 m
218 400 15 ●
 14.7 m, with plug and round connector, black, 12,0 mm Ø, 1490 g

AK ES HDMI 19,7 m
218 400 20 ●
 19.7 m, with plug and round connector, black, 12,0 mm Ø, 3000 g

Terminal devices – connection cable
 HDMI feeder cable



EKM HDMI-S 0,3 m
176 102 05 ●
 HDMI-Adapter cable for HDMI-feeder cable AK ES HDMI, 0.3 m, with plug and round connector (ø 17 mm), black, 12 mm Ø, 85 g

EKM HDMI-B 0,3 m
176 102 06 ●
 0.3 m, with plug and round connector (ø 17 mm), black, 12 mm Ø, 50 g



EZH
176 102 07 ●
 Pulling aid for HDMI/VGA-Feeder cable AK ES, 17 mm Ø, 25 g

Accessory for HDMI feeder cable



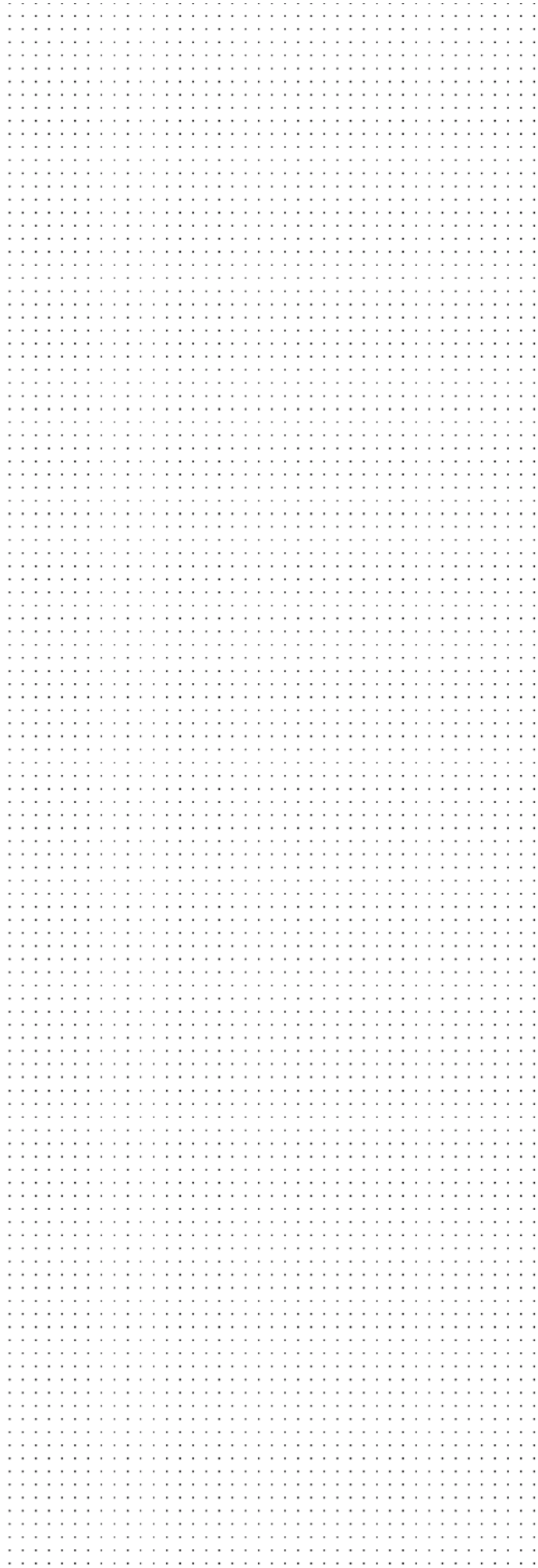
AKE HDMI 2 m
218 100 02 ●
 HDMI – terminal devices connection cable, 2 m (male/male), black, 7,5 mm Ø, 130 g

AKE HDMI 3 m
218 100 03 ●
 3 m (male/male), black, 7,5 mm Ø, 180 g

AKE HDMI 5 m
218 100 05 ●
 5 m (male/male), black, 7,5 mm Ø, 300 g

Terminal devices – connection cable
 HDMI connection cable

Cable matrix VGA								
Resol.	H	V	Refr.	MHz	5 m	10 m	15 m	20 m
VGA	640	480	60	26	1	1	1	1
	640	480	75	33	1	1	1	1
	640	480	85	37	1	1	1	1
SVGA	800	600	60	41	1	1	1	1
	800	600	75	51	1	1	1	1
	800	600	85	58	1	1	1	1
XGA	1024	768	60	67	1	1	1	1
	1024	768	75	84	1	1	1	1
	1024	768	85	95	1	1	1	1
WXGA	1366	768	60	89	1	1	1	1
	1366	768	75	112	1	1	1	1
	1366	768	85	127	1	1	1	1
SXGA	1280	1024	60	112	1	1	1	1
	1280	1024	75	140	1	1	1	1
	1280	1024	85	158	1	1	1	1
WSXGA	1600	1024	60	140	1	1	1	1
	1600	1024	75	174	1	1	1	1
	1600	1024	85	198	1	1	1	1
UXGA	1600	1280	60	164	1	1	1	1
	1600	1280	75	204	1	1	1	1
	1600	1280	85	232	1	1	1	1
WUXGA	1920	1280	60	196	1	1	1	1
	1920	1280	75	245	1	1	1	
	1920	1280	85	278	1	1		





VK VGA 5 m
 217 100 050 ●
 VGA patch cable,
 ready to connect,
 blue,
 5 m (male/male),
 delivery with gender changer
 8 mm Ø, 471 g

VK VGA 10 m
 217 100 100 ●
 10 m (male/male),
 8 mm Ø, 771 g

VK VGA 15 m
 217 100 150 ●
 15 m (male/male),
 8 mm Ø, 1211 g

VK VGA 20 m
 217 100 200 ●
 20 m (male/male),
 8 mm Ø, 1551 g

Installation solution
 VGA connection cable
 VGA feeder cable

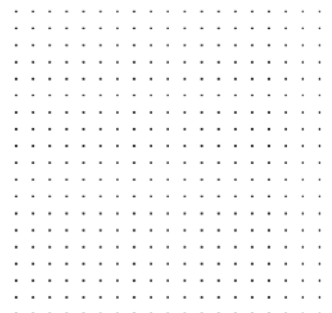


EK VGA 5 m
 217 300 05 ●
 VGA feeder cable,
 ready to connect, green,
 5 m (male/crimp termination),
 7,3 mm Ø, 917 g

EK VGA 10 m
 217 300 10 ●
 10 m (male/crimp termination),
 7,3 mm Ø, 1292 g

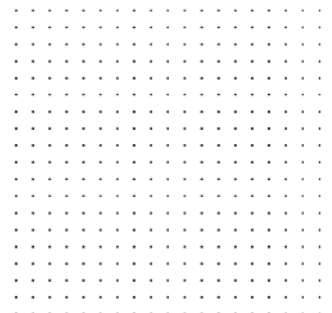
EK VGA 15 m
 217 300 15 ●
 15 m (male/crimp termination),
 7,3 mm Ø, 1667 g

EK VGA 20 m
 217 300 20 ●
 20 m (male/crimp termination),
 7,3 mm Ø, 2042 g



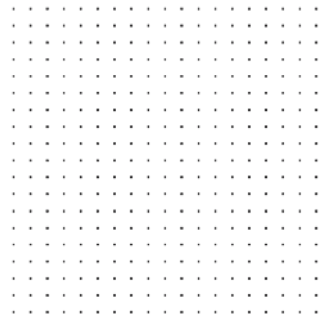
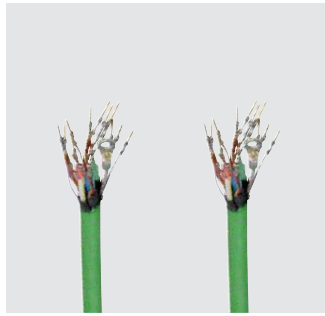
K VGA-S
 217 200 01 ●
 VGA-connection cable,
 1 m (male/male),
 7,3 mm Ø

Communications adapter
 VGA cable, customized

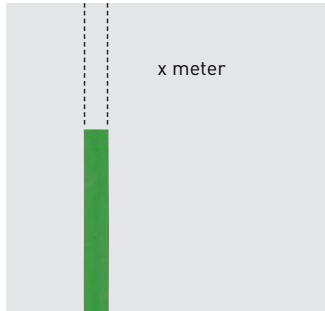


K VGA-B
 217 200 02 ●
 VGA connection cable,
 ready to connect, free of halogen,
 flame-retarded, green,
 1 m (male/female),
 7,3 mm Ø

VGA cable,
customized



K VGA-CC
217 500 01 ●
VGA-connection cable,
ready to connect, green,
1 m (crimp termination/crimp
termination),
7,3 mm Ø

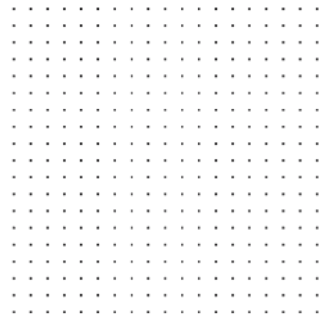


K VGA 1 m
217 200 03
VGA additional lengths, 1 m, to K
VGA-S, K VGA-B und K VGA-CC,
green,
7,3 mm Ø, 800 g,*

K VGA 100 m
217 200 00 ●
VGA cable, 100 m, on bulk rolls,
green,
7,3 mm Ø, 80.000 g,*

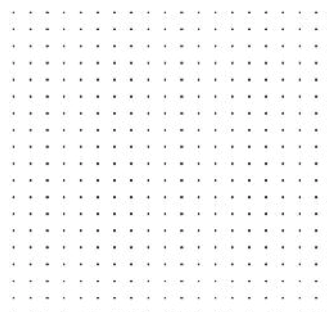
* max. transmission length see VGA
cable matrix on page 88

Accessories for
VGA cable



VGA-S C
176 102 01 ●
VGA plug,
for crimp termination,
in connection with EK-VGA

VGA-B C
176 102 02
VGA socket,
for crimp termination,
in connection with EK-VGA



CZ
392 000 09 ●
Crimping tool, for assembling
VGA-S C/VGA-B C to K-VGA
100 m (bulk rolls),
1200 g



AK ES VGA 4,7 m
 217 600 05 ●
 VGA-terminal devices-connection cable, flexible feeder cable, 4.7 m, with plug and round connector (ø 17 mm), blue, 8 mm Ø , 410 g

AK ES VGA 9,7 m
 217 600 10 ●
 9,7 m, with plug and round connector, blue, 8 mm Ø , 780 g

AK ES VGA 14,7 m
 217 600 15 ●
 14,7 m, with plug and round connector, blue, 8 mm Ø , 895 g

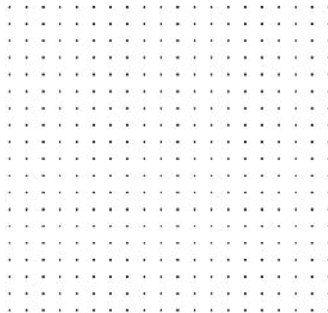
AK ES VGA 19,7 m
 217 600 20 ●
 19,7 m, with plug and round connector, blue, 8 mm Ø , 1200 g

Terminal devices –
 connection cable
 VGA feeder cable



EKM VGA-S 0,3 m
 176 102 03 ●
 VGA-Adapter cable for VGA-feeder cable AK ES VGA, 0.3 m, with plug and round connector (ø 17 mm), blue, 8 mm Ø , 70 g

EKM VGA-B 0,3 m
 176 102 04 ●
 0.3 m, with jack and round connector, blue, 8 mm Ø , 70 g



EZH
 176 102 07 ●
 Pulling aid for HDMI/VGA-feeder cable AK ES, 17 mm Ø , 25 g

Accessories for
 VGA feeder cable

TELEMATIC

Saving Energy with Green IT



Due to today's climate changes and the constantly increasing energy costs, it is becoming more and more important to save energy. The remote switching and alarm dialling devices from Rutenbeck allow you to control your devices as needed and therefore, enables you to save energy and money.

Monitor machines, production facilities as well as your vacation home!

Control the heating of your vacation home, which needs another setting due to the change of weather or perhaps the lights of the signs in your display window! All simply via SMS or IP-based via the internet.

Do not depend on your neighbor or janitor – get directly informed via SMS in case of a malfunction or burglary in your vacation home! This way you are able to react immediately and switch on the required devices needed for these cases.

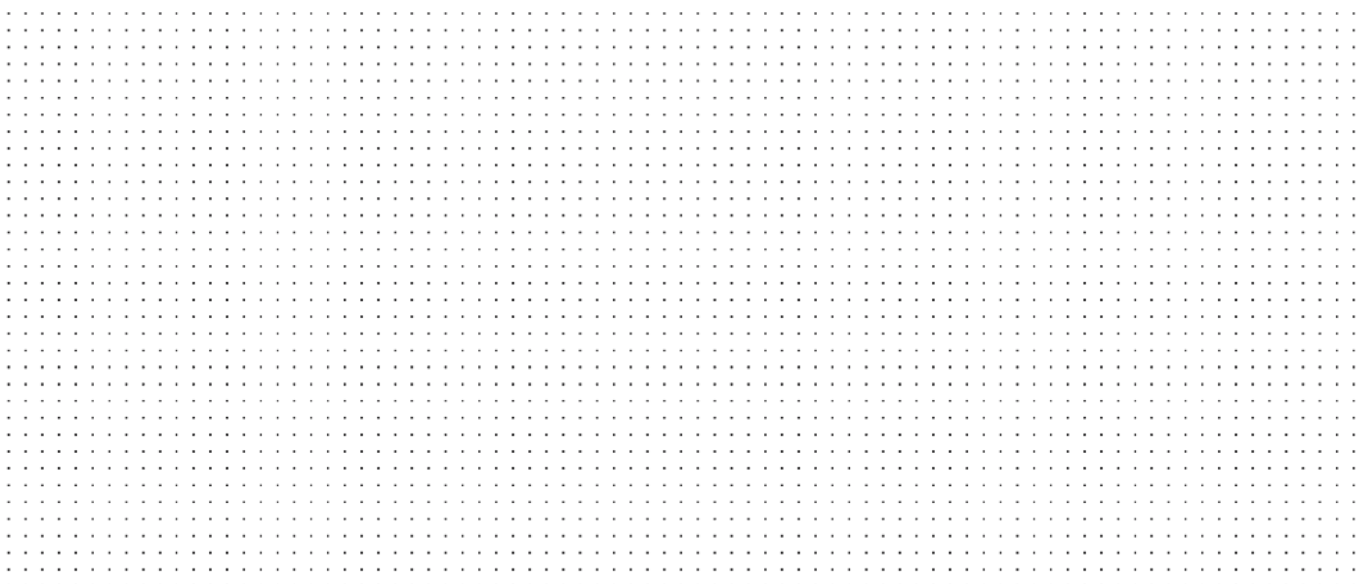
IP-based switching devices do not only enable remote switching, they also offer a time switch function for a presence simulation. Modifications of the settings are always available for up to 4 devices with a web browser from any place in the world with internet access.



Remote switching and alarm dialing devices (analog/GSM)

Article description	TCR GSM/GPS*
Housing	REG
Measurements in mm	144x90x65
Weight in g	325
Protection class	IP20
Power supply	integrated
UPS connectable	yes, accu integrated
Speech output	-
Access protection via 4 digit PIN	•
Telephone line monitoring	•
R&TTE-conform	•
Programming of the device	Telephone call, SMS, PC
Integrated push-button for local switching of the switching output	•
Screw terminals for the connection of external push-buttons	•
Connection of temperature sensor possible	2
Temperature range	-25 to +50 °C
Connection to GSM (SIM card needed)	•
Alarm dialling function	
Alarm inputs (conventional)	2
Alarm phone numbers	4x4
Alarmtransfer via SMS	•
Remote switching function	
Remote switching per SMS	•
Remote switching per CLIP	•
Switching outputs (conventional)	2
Switching possibility at device	•
Potential free relay outputs	2
Operation instructions	on CD
Short guide	293 635
Article-No.	700 802 600

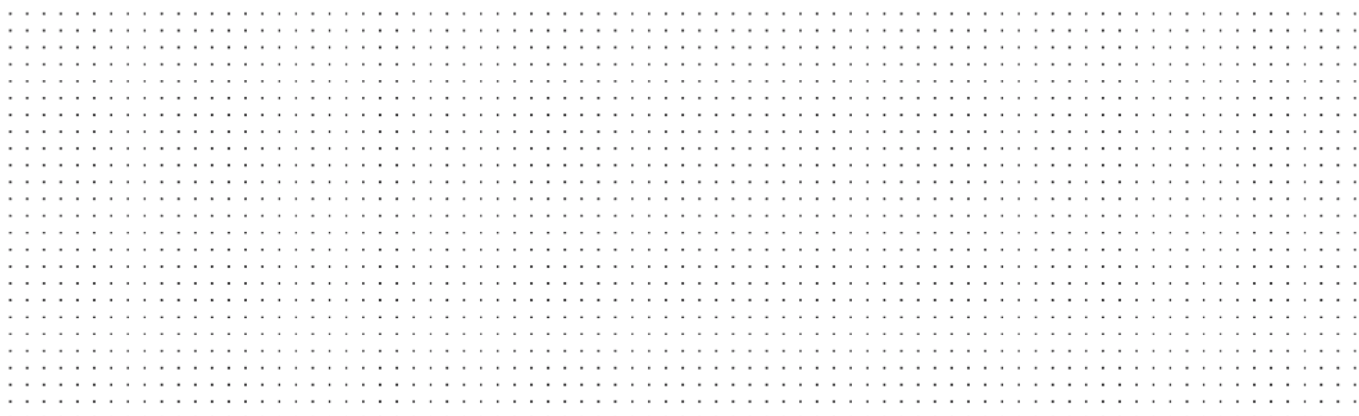
* phased out 2017



Overview IP-switching devices

Article description	TC IP 1	TCR IP 4
Housing	Plug-plug adapter	REG
Measurements in mm	66 x 136 x 76	72 x 90 x 65
Weight in g	170	298
Color	pure white (similar RAL 9010)	light grey (similar RAL 7035)
Protection class	IP20	IP20
Power supply	100-240 V AC/50-60 Hz	100-240 V AC/50-60 Hz (Klemmen)
Power consumption	1 – 1,6 W	1 – 3,5 W
Connection to LAN (RJ45)	10 Mbit/s	10 Mbit/s
Integrated push-button for local switching of the switching output	•	•
Screw terminals for the connection of external push-buttons	–	•
LED on/off	•	•
LED link/activity	•	•
Connection of temperature sensor possible	•	•
Temperature range	-25 to +55 °C	-25 to +55 °C
Programming and operation of the device	Browser	Browser
Access protection through passwords	for admin and user	for admin and user
Manual allocation of IP address or DHCP	•	•
Time switch	•	•
Operation as time switch	•	•
Time switches per switching output	4 switching on or switching off times	5 switching on or switching off times
Automatic time synchronization via internet	•	•
Power reserve (after disconnection from 230 V power supply)	4 days	4 days
Time accuracy	≤ 1,7 s/ day	≤ 1,7 s/ day
Remote switching function	•	•
Switching outputs	1	4
Switching power	16 A/230 V	10 A/230 V
Switching possibility at device	•	•
Switching possibility via browser/internet	•	•
Potential free relay outputs	–	•
Operation instructions	293 636	293 656
Article-No.	700 902 610	700 802 610

REG = DIN-rail-mounting housing



**Telecontrol-device
TCR GSM/GPS**

Alarming, remote switching and temperature surveillance with SMS.

The TCR GSM/GPS is an alarming and remote switching device for the mobile network in a surface mounting housing. For operation an activated SIM-card of any service provider is needed. The TCR GSM/GPS has two switching outputs, two alarm inputs and two analog inputs for the connection of temperature sensors. In changing of state at the inputs, the TCR GSM/GPS automatically sends short messages (SMS) via mobile network to up to four phone numbers.

The programming of the device can be done

- with a telephone call,
- with SMS,
- via the USB-interface of a PC or
- from a distance from a PC with GSM-modem.

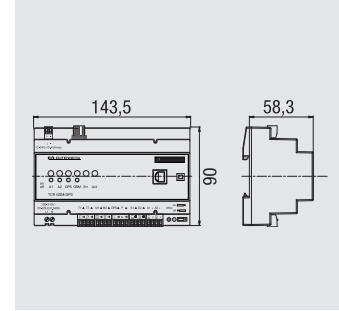
Temperature sensors can be connected at two analog inputs. The temperature can be requested with a SMS. An alarm SMS can be initiated at certain temperature levels.

The switching states of the outputs and the settings are saved at a power failure and will be restored, when the power returns. The power supply is monitored, so when switching on power and at power failure, a SMS will be sent to up to four phone numbers. The accumulator buffering allows the sending and reception of SMS for a longer period of time.

The TCR GSM/GPS will be shipped with accumulator, GSM antenna, USB-cable and a CD, which contains detailed operating instructions and the PC-program for easy programming.

TCR GSM/GPS:
Housing made of PC

Protection class IP20 according to EN 60 529



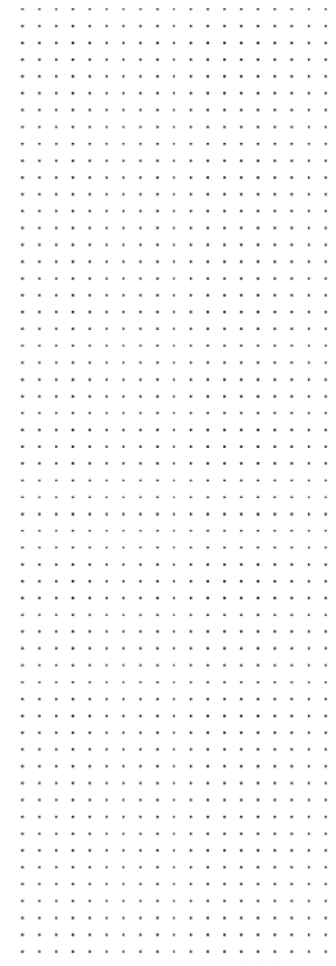
TCR GSM/GPS*
700 802 600 ●
with external FME-Magnetic foot antenna (3 m), light grey (similar RAL 7035), 144 x 90 x 65 mm = 8 TE, 325 g

Performance features

- 2 alarm inputs, activated with potential-free contacts, activation time and make-/break operation can be set
- each alarm input sends in case of alarm a SMS to up to four phone numbers
- 2 analog inputs for the connection of temperature sensors (optional)
- alarming with SMS at exceeding/falling below temperature level (optional)
- inquiry of temperature with SMS at connected temperature sensors -25 to +50 °C, (optional)
- 2 switching outputs (potential free contact 48 V/2 Amps)
- timer function (up to 24 hours) for the switching outputs
- display of the switching state of the connected devices with LEDs
- switching by use of externally connected push-buttons or built-in push-buttons
- easy configuration with a simple telephone call
- programming with SMS, via the USB-interface of a PC or from a distance from a PC with GSM-modem
- PC program for the configuration included
- possibility to reset to factory settings with SMS or push-buttons
- alarming and remote switching with SMS
- checking of the function standby by sending SMS in routine intervals [ALIVE-function]
- evaluation of the CLIP-function for switching of switching output 1
- surveillance of power supply
- buffering of all switching states and settings at power failure
- SMS at powering up and at power failure
- accumulator buffering allows the sending and the reception of SMS for a longer term
- display of credit with SMS at prepaid-cards
- integrated power supply of the TCR GSM/GPS, nominal voltage 230 V AC, 50-60 Hz

GPS (optional, for boats and mobile homes)

- GPS-receiver connectable and can be activated/de-activated
- GPS-tracking, time interval for sending of coordinates can be set
- surveillance of the GPS position, alarming with SMS at alteration



Functional description

The controlling takes place with a telephone call, SMS or with push-buttons at the device.

For easy applications the device can be configured with a telephone call. The device can also be configured with SMS, via the USB-interface of a PC or from a distance from a PC with GSM-modem.

By configuration with a telephone call, the phone number of the caller will be saved as phone number 1 for all functions, viz. a SMS will be sent to phone number 1, when alarm input 1 or 2 is activated. A SMS is also sent to phone number 1 when switching-on or switching-off the power supply.

After the configuration with a telephone call, the switching output 1 can be activated with a free of charge telephone call (CLIP-function). Here the phone number of the caller is recognized by the TCR GSM/GPS and the switching output 1 is activated without the incoming call being accepted (the call is free of charge). The duration of the switching-impulses can be set at both outputs. The impulse time can be set between 1 second and 24 hours.

The switching outputs are equipped with relays, at which devices with low-voltages up to 48 V can be connected. The switching of the outputs can be done with SMS or with push-buttons and will be indicated at two LEDs. The outputs can be on for a programmable time (impulse operation).

The states of all input and outputs can be recalled per SMS at any time.

With prepaid cards the TCR GSM/GPS will send a notification per SMS if a programmable minimum credit level has been reached

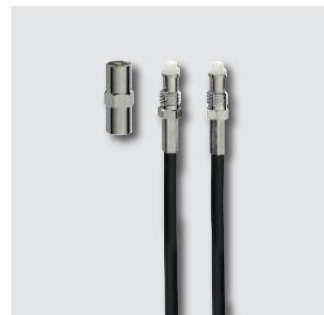
At the PS2-receptacle an external GPS-receiver (optional) can be activated by push-button at the device for the surveillance of position. The position data can be recalled with SMS. A change of position will be sent from TCR GSM/GPS with SMS. The time span between the short messages is programmable.



Temperature sensor
700 802 201 ●
Resolution 1 °C,
B-value 3435 K ± 1%,
10 kΩ at 25 °C,
black (similar RAL 9005),
600 mm, 6 g



GPS receiver NL-303P*
700 902 601 ●
Perfectly suitable for the determination of positions in connection with the TC GSM/GPS, SIRF Star III/ Low Power Chipset, magnetic and non-slip bottom, waterproof housing, LED-indicator for GPS status
Ø 53 x 19 mm,
Cable length 1650 mm, 71 g



FME-Extension*
700 902 603 ●
Consisting of extension cable and a FME-coupling, the set is needed in order to extend the cable of the external FME-magnetic foot antenna, cable length 4000 mm, 158 g

**Remote switching device
TC IP 1**

The TC IP 1 allows the switching of electrical devices (network printer, DSL-modem, IP-CAM and so on) via the TCP/IP-network.

The device is located in a plug-plug adapter housing. To put into operation the TC IP 1 simply has to be connected to a power outlet and the respective network. The device to be switched will plugged into the provided power outlet of the TC IP 1.

The TC IP 1 can be switched from all computers of the same network with their web browser by IP-address 192.168.0.2.

A local operation is possible with a push-button on the device. The actual switching state of the output is indicated by a LED at the push-button for switching.

The TC IP 1 has an integrated time switching function. Up to 4 switching on and 4 switching off times can be selected.

With a web browser it is possible to display the actual temperature at connected temperature sensor as well as the settings of the network characteristics and the time switch.

The TC IP 1 can also be operated from the Internet if there is a fixed IP-address or a DNS-server for the translation of the dynamic IP in a host name provided.

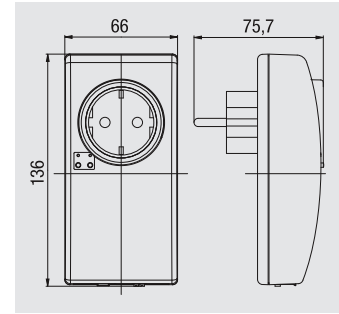
The TC IP 1 can also be operated from a mobile phone, if this supports JavaScript. More informations on www.rutenbeck.com.

The TC IP 1 will be delivered with a detailed operating instructions.

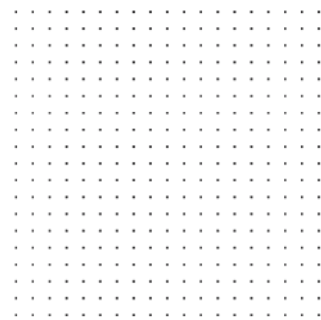
TC IP 1:

Housing made of ABS V0 (flame-retardant)

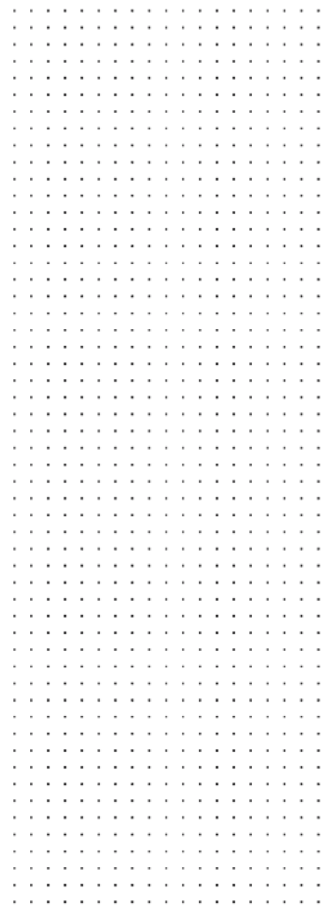
Protection class IP20 according to EN 60529



TC IP 1
700 902 610 ●
pure white [similar RAL 9010],
66 x 136 x 76 mm, 170 g

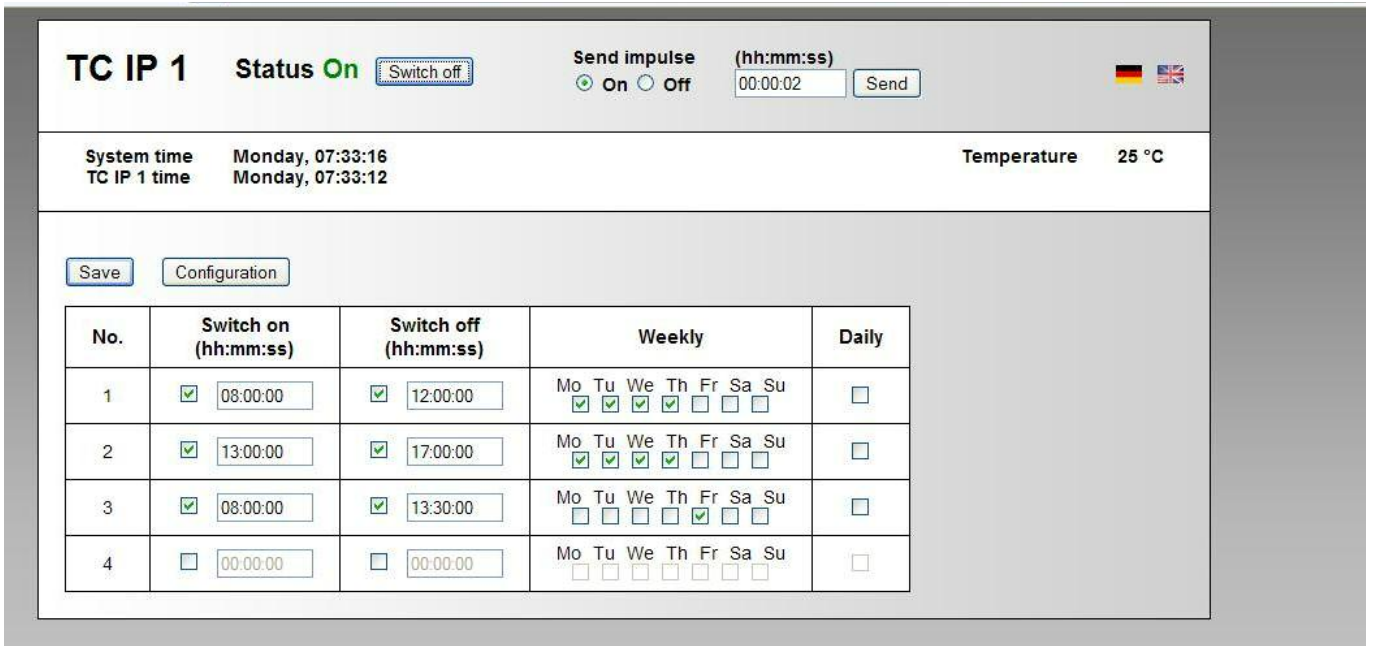


Temperature sensor
700 802 201 ●
Resolution 1 °C,
B-value 3435 K ± 1%,
10 kΩ at 25 °C,
black [similar RAL 9005],
600 mm, 6 g



Performance features

- integrated power supply
- 1 switching output
16 Amps/230 V
- indication of the switching state of the switching output
- local operation of the switching output
- network connection RJ45
- link-/activity indication for the network connection
- analog input for the connection of a temperature sensor (optional)
- temperature surveillance with web browser, analysis range -25-55 °C, resolution 1 °C
- easy configuration with web browser
- can be resetted to factory settings
- buffering of all settings and time at a power failure
- automatic time synchronization via internet
- operation as time switch
- power consumption about 1 W
- cross-platform operation with web browser
- manual allocation of a fixed IP-address or dynamic IP-address via DHCP
- access protection through optional passwords
- controlling via UDP



Application example

First the TC IP 1 will be connected with a patch cord to the local network. After this the temperature sensor (optional) will be connected at the spring terminals.

After the connection to a power outlet the TC IP 1 can be reached with a browser. After entering the address <http://192.168.0.2> the main menu of the TC IP 1 opens (see picture above).

With the button „Configuration“ in the main menu you will access the system settings of TC IP 1. Here you can enter and modify IP-address and passwords.

The TC IP 1 has an integrated time switching function. Up to 4 switching on and 4 switching off times can be selected. At any one time one switching on time is combined in a group with a switching off time. The days of a week can be allocated to each group.

In the above example a laser printer of a company is connected at the TC IP 1. The printer will be switched on from Monday to Friday at 8 o'clock in the morning and switched off at 12 o'clock. After the lunch break the printer will be switched on again at 13 o'clock and switched off at 17 o'clock. On Fridays the printer will be turned on at 8 o'clock in the morning and switched off at 13:30 o'clock. On weekends is the printer not in use. If the printer is needed outside the programmed times, the user is able to switch the printer on at any time either with the built-in pushbutton or from the website.

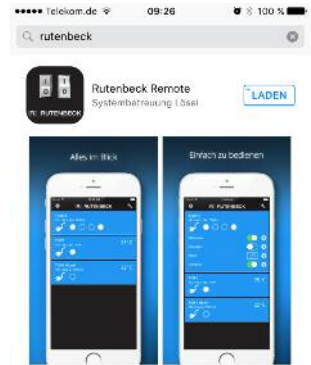
The output can be switched in impulse mode if needed. It will be distinguished between two kinds of impulses. The on-impulse switches on the output for the selected time and the off-impulse switches off the output for the selected time. If the output is already switched on while sending an on-impulse, it will be switched off after passing the impulse time. The actual switching state of the output will be indicated on the website with status „On“ or „Off“.

Rutenbeck REMOTE

Iphone/iPad APP now available free of charge in the APP-store.

With the APP you are able to remote control your IP devices comfortably direct from your smartphone or tablet!

And of course, the App is free of charge! For now only available for Apple-devices.



**Remote switching device
TCR IP 4**

The TCR IP 4 allows the switching of electrical devices via the TCP/IP-network. The device is located in a housing for mounting on a DIN-rail.

The TCR IP 4 can be switched from all computers of the same network with their web browser by IP-address 192.168.0.3.

A local operation is possible with the built-in or external connected push-buttons. The actual switching state of an output is indicated by a LED located at the push-button for switching.

The TCR IP 4 has an integrated time switching function. For each switching output, up to 4 switching on and 4 switching off times can be selected.

With a web browser it is possible to display the actual temperature at connected temperature sensor as well as the settings of the network characteristics and the time switch.

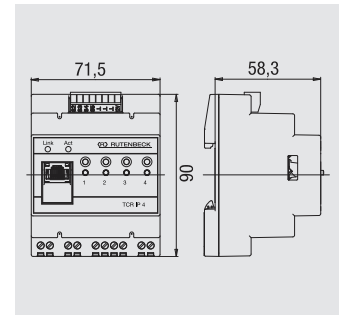
The TCR IP 4 can also be operated from the Internet if there is a fixed IP-address or a DNS-server for the translation of the dynamic IP in a host name provided.

The TCR IP 4 can also be operated from a mobile phone, if this supports JavaScript. More informations on www.rutenbeck.com.

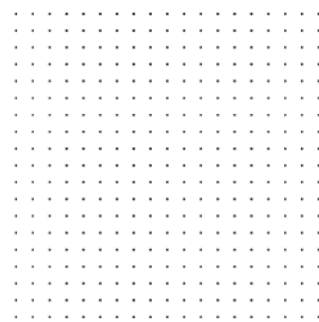
The TCR IP 4 will be delivered with a detailed operating instructions.

TCR IP 4:
Housing made of PC

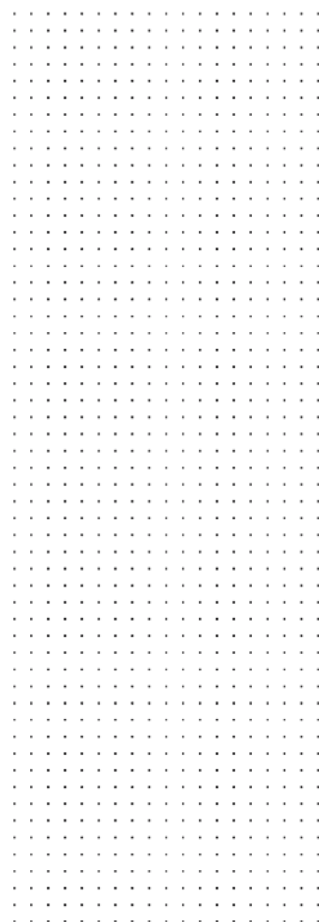
Protection class IP20 according to EN 60529



TCR IP 4
700 802 610 ●
DIN-rail mounting housing
4 DIN units wide,
light grey (similar RAL 7035),
72 x 90 x 65 mm, 298 g



Temperature sensor
700 802 201 ●
Resolution 1 °C,
B-value 3435 K ± 1%,
10 kΩ at 25 °C,
black (similar RAL 9005),
600 mm, 6 g



Performance features

- integrated power supply
- 4 switching outputs, potentialfree contact max. 10 Amps/ 230 V
- indication of the switching
- state of the switching outputs
- network connection RJ45
- link-/activity indication for the network connection
- analog input for the connection of a temperature sensor (optional)
- temperature surveillance with web browser, analysis range -25-55 °C, resolution 1 °C
- easy configuration with web browser
- can be resetted to factory settings
- buffering of all settings and time at a power failure
- automatic time synchronisation via Internet
- operation as time switch with 4 switching outputs
- power consumption about 1 W
- cross-platform operation with web browser
- manual allocation of a fixed IP-address or dynamic IP-address via DHCP
- access protection through optional passwords
- controlling via UDP

No.	Interval	Action	Time (hh:mm:ss)	Day (tt)	Date (dd.mm.yyyy)	Day of the week
1	Weekly	Switch off	05:30:00			Mo Tu We Th Fr Sa Su <input checked="" type="checkbox"/> <input checked="" type="checkbox"/> <input checked="" type="checkbox"/> <input checked="" type="checkbox"/> <input checked="" type="checkbox"/> <input type="checkbox"/> <input type="checkbox"/>
2	Weekly	Switch on	17:30:00			Mo Tu We Th Fr Sa Su <input checked="" type="checkbox"/> <input checked="" type="checkbox"/> <input checked="" type="checkbox"/> <input checked="" type="checkbox"/> <input checked="" type="checkbox"/> <input type="checkbox"/> <input type="checkbox"/>
3	Disabled	Switch on				Mo Tu We Th Fr Sa Su <input type="checkbox"/> <input type="checkbox"/> <input type="checkbox"/> <input type="checkbox"/> <input type="checkbox"/> <input type="checkbox"/> <input type="checkbox"/>
4	Disabled	Switch on				Mo Tu We Th Fr Sa Su <input type="checkbox"/> <input type="checkbox"/> <input type="checkbox"/> <input type="checkbox"/> <input type="checkbox"/> <input type="checkbox"/> <input type="checkbox"/>
5	Disabled	Switch on				Mo Tu We Th Fr Sa Su <input type="checkbox"/> <input type="checkbox"/> <input type="checkbox"/> <input type="checkbox"/> <input type="checkbox"/> <input type="checkbox"/> <input type="checkbox"/>

Application example

First the TCR IP 4 will be connected with a patch cord to the local network. After this the temperature sensor (optional) will be connected at the screw terminals.

After the connection to 230V-power supply the TCR IP 4 can be reached with a browser.

After entering the address <http://192.168.0.3> the main menu of the TCR IP 4 opens (see picture above).

With the button „network configuration“ in the main menu you will access the system settings of TCR IP 4. Here you can enter and modify IP-address and passwords.

The TCR IP 4 has an integrated time switching function. For each switching output, up to 4 switching on and 4 switching off times can be selected. At any on time one switching on time is combined in a group with a switching off time. The days of a week can be allocated to each group.

In the above example the lighting of a company is controlled from a TCR IP 4. The lighting of the hall is connected to the switching output 1 of the TCR IP 4 and will be switched on from Monday to Friday at 5:30 o'clock in the morning and switched off at 17 o'clock. The lighting of the hall is not switched on Saturdays and Sundays, since it will not be worked in the hall on the weekends. Furthermore a temperature sensor is installed in the hall. The temperature in the hall can be checked from the website.

At switching output 2 is the lighting of the staircase of the company connected. The staircase lighting will be switched on from Monday to Friday at 5 o'clock in the morning and switched off at 9 o'clock. On the weekends is the staircase lighting switched off.

The lighting of the courtyard is connected to the switching output 3 of the TCR IP 4. The lighting of the courtyard will be switched on from Monday to Friday at 5 o'clock in the morning and switched off at 9 o'clock. In the evening the courtyard lighting will be switched on again at 17 o'clock and switched off at 23:30 o'clock.

The user is also able to switch on the lighting outside the programmed times directly at the push-buttons or through the website. The output can be switched in impulse mode if needed. The on-impulse switches the output on for the selected time. This allows to switch on the lighting for a certain time (i. e. 1 hour). After the hour the lighting is automatically switched off.

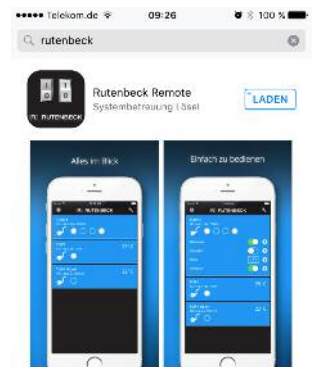
The actual switching state of the outputs will be indicated on the website with status „On“ or „Off“.

Rutenbeck REMOTE

Iphone/iPad APP now available free of charge in the APP-store.

With the APP you are able to remote control your IP devices comfortably direct from your smartphone or tablet!

And of course, the App is free of charge! For now only available for Apple-devices.



TELEPHONE TECHNOLOGY

RJ45-jacks from Rutenbeck

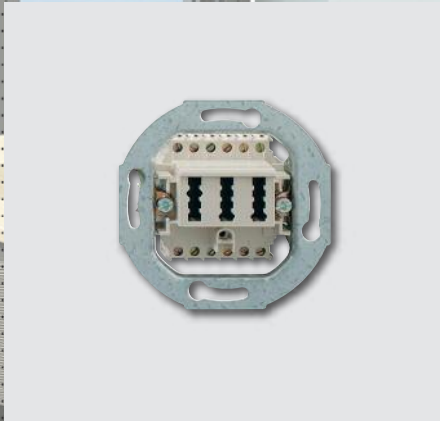
It will be differentiated between UAE- and IAE/UAE-jacks. IAE/UAE-jacks from Rutenbeck can be used for ISDN and are suitable for the universal use with RJ12- and RJ45-plugs without any additional parts. A flat-levelled design without obstructive center or wall plates is ideal for the installation in window ducts and walls. The UAE-connector block can be – independent of the communication system – used universally.

TAE-jacks from Rutenbeck

TAE-jacks from Rutenbeck are mainly used as a connecting device in analog telephone installation. Stable metal mounting rings and gold-plated contacts provide for efficient function and operation at construction sites.

Compatible with the design center plates of the manufacturer of electrical installation material

The RJ45- and TAE jacks from Rutenbeck are compatible with the design center plates of the manufacturer of electrical installation material.



ISDN-jacks for analog or ISDN-applications IAE/UAE

The design provides at least four contacts and four screw terminals. Any other 4-way connection can be realised with contacts 3, 4, 5 and 6.

Universal-jacks UAE

The design provides eight contacts and eight screw terminals. The connection of the contacts can be chosen freely.

Sockets, covers, center plates and wall plates made of ABS-material, pearl white (similar RAL 1013), pure white (similar RAL 9010), Contact carrier housing made of PBT-material.

Mounting rings made of sheet steel, galvanized.

The contacts of the outlets feature a squared cross section and are hard gold plated in the contact area.

The commonly used 6- and 8-way plugs can be alternatively be used in the outlets without any additional installation effort.

Protection class IP20 according to DIN EN 60529

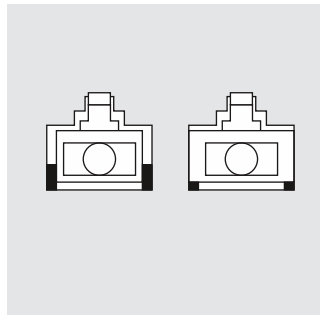
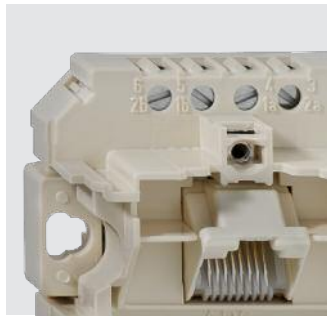
The connection of the cable wires takes place at the screw terminals or at LSA-terminals.

ISDN

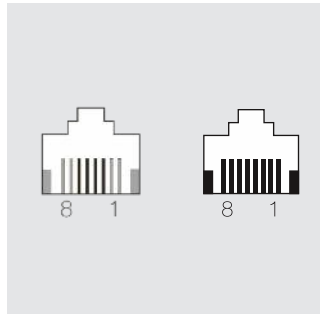
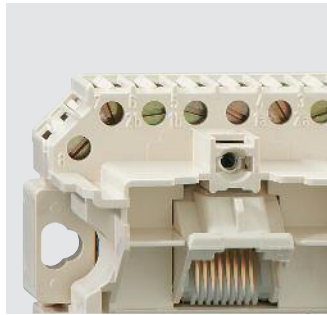
In addition to the marking 3 to 6, all ISDN screw terminals also have the ISDN marking printed on.

Category 3

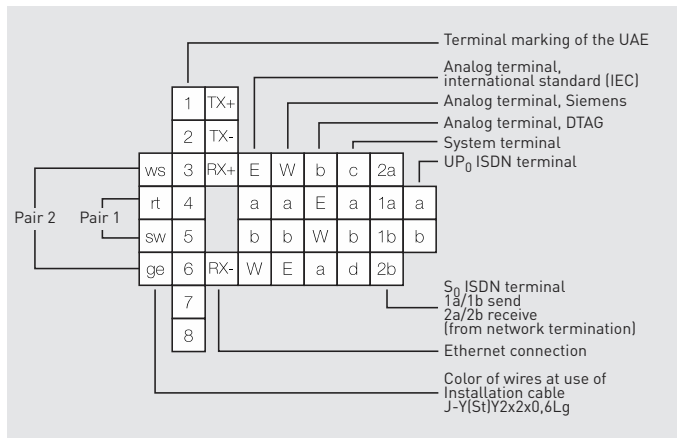
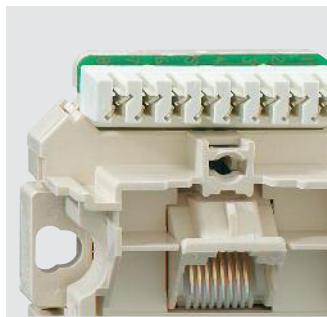
The IAE/UAE-system is suitable for data transmission rates up to 16 MHz, which are also required for Cat.3-jacks.



The main part of this system is an outlet for 8-way plugs with lateral reducing elements which work automatically and guarantee an exact position of the smaller 6-way RJ11-/RJ12-plugs in the outlet.



The designs have 1 or 2 plug openings, and the outlets are equipped with 8 contacts, at least 4 can be wired.



Mechanical characteristics

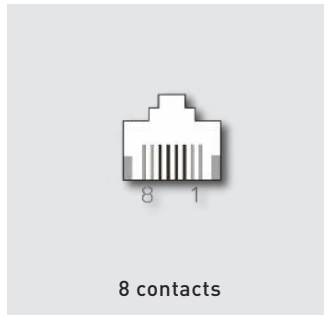
Connector/outlet	
Design	DIN EN 60603-7:2010-05
Connection technique	Screw terminals for wires up to 1mm Ø, 2 wires at each contact alternatively LSA-Plus-terminals for wires 0.4–0.63 mm Ø, AWG 26–22, outer diameter 0.7–1.6 mm, 1 wire at each terminal, max. number of connections > 50 x
Outlet universal use	for 6-way and 8-way plugs
Material spring contact outlet	CuSn
Surface spring contact outlet	1,5 µm Ni/1,3 µm Au
Life (insertions and withdrawals) outlet	> 2500 cycles
Material housing	PBT, POM, ABS

Electrical characteristics

Voltage	125 V DC
Operating current	1 Amp at 50 °C
Voltage withstand	1000 V, 50 Hz, 1 min.
Isolation resistance	> 500 MΩ
Contact resistance	< 20 mΩ

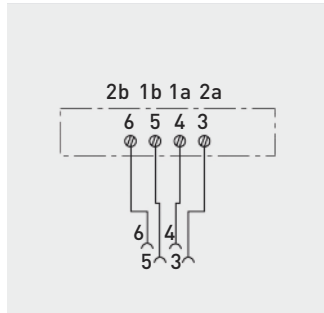
Transmission characteristics

TIA/EIA-568-B.2-2001	Category 3
----------------------	------------

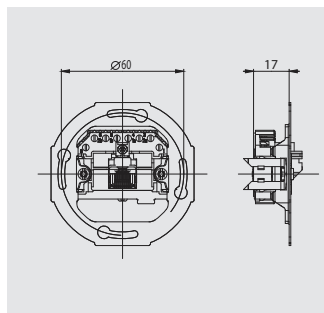
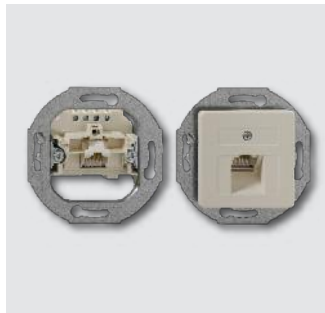


IAE/UAE 8 (4) Ap
130 101 05 ●
4-way, 4 screw terminals,
pearl white (similar RAL 1013),
65 x 80 x 26 mm, 30 g

ISDN single-jacks
IAE/UAE 8 (4)

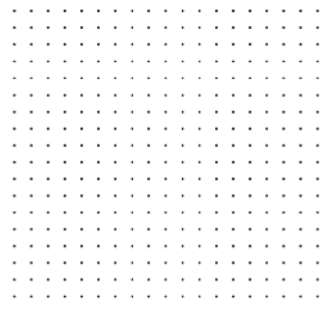


IAE/UAE 8 (4) Up
130 102 09 ●
4-way, 4 screw terminals,
with center plate and wall plate,
with spreading claws,
pearl white (similar RAL 1013),
80 x 80 x 31 mm, 58 g

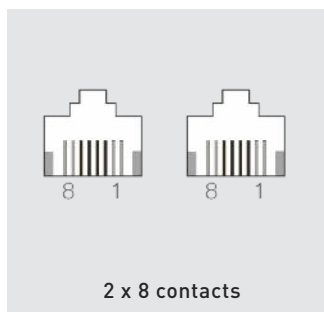


IAE/UAE 8 (4) Up 50
130 103 05 ●
4-way, 4 screw terminals,
with center plate,
with spreading claws,
pearl white (similar RAL 1013),
70 x 70 x 31 mm, 47 g

IAE/UAE 8 (4) Up 50 rw
130 103 36 ●
pearl white (similar RAL 9010)

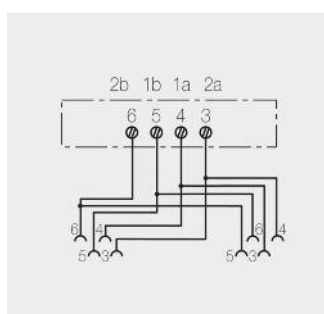


IAE/UAE 8 (4) Up 0
130 104 04 ●
4-way, 4 screw terminals,
with spreading claws,
70 x 70 x 29 mm, 42 g



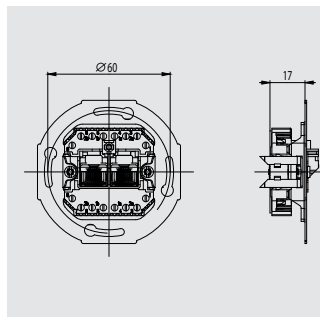
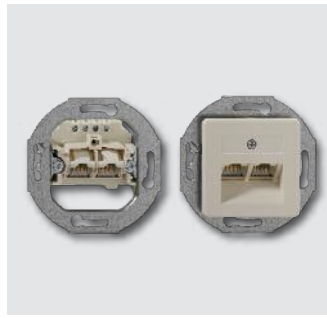
IAE/UAE 2x8 (4) Ap
130 101 07 ●
2 x 4-way, 4 screw terminals,
pearl white (similar RAL 1013),
65 x 80 x 26 mm, 37 g

ISDN-double jacks
for one connection
IAE/UAE 2x8 (4)



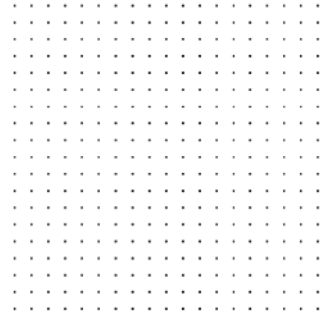
IAE/UAE 2x8 (4) Up
130 102 11 ●
2 x 4-way, 4 screw terminals,
with center plate and wall plate,
with spreading claws,
pearl white (similar RAL 1013),
80 x 80 x 31 mm, 59 g

ISDN double-jacks
for one connection
IAE/UAE 2x8 (4)



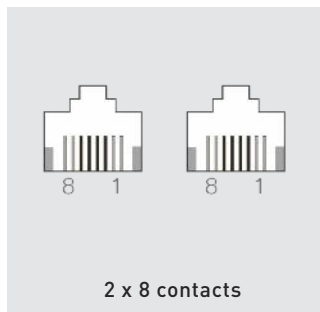
IAE/UAE 2x8 (4) Up 50
130 103 07 ●
2 x 4-way, 4 screw terminals,
with center plate and wall plate,
with spreading claws,
pearl white (similar RAL 1013),
70 x 70 x 31 mm, 47 g

IAE/UAE 2x8 (4) Up 50 rw
130 103 39 ●
pearl white (similar RAL 9010)



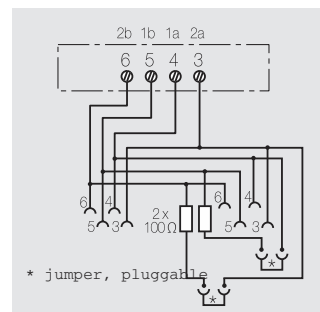
IAE/UAE 2x8 (4) Up 0
130 104 11 ●
2 x 4-way, 4 screw terminals,
with spreading claws,
70 x 70 x 29 mm, 44 g

ISDN double-jacks
for one connection with
switchable resistors
IAE/UAE 2x8 (4) TRS



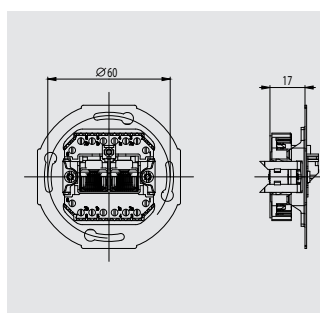
IAE/UAE 2x8 (4) TRS Ap
130 101 40 ●
2 x 4-way, 4 screw terminals,
pearl white (similar RAL 1013),
65 x 80 x 26 mm, 39 g

IAE/UAE 2x8 (4) TRS Ap rw
130 111 40 ●
pearl white (similar RAL 9010)

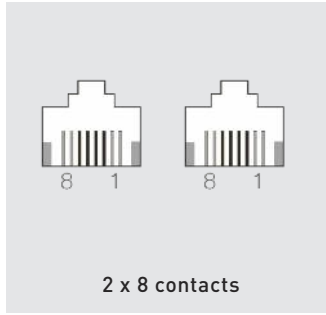


IAE/UAE 2x8 (4) TRS Up
130 102 40
2 x 4-way, 4 screw terminals,
with center plate and wall plate,
with spreading claws,
pearl white (similar RAL 1013),
80 x 80 x 31 mm, 61 g

IAE/UAE 2x8 (4) TRS Up rw
130 112 40
pearl white (similar RAL 9010)



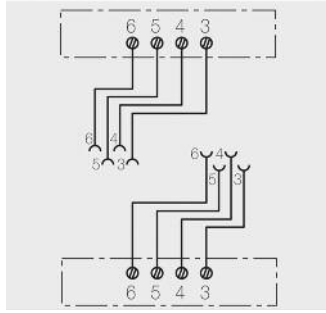
IAE/UAE 2x8 (4) TRS Up 0
130 104 40 ●
2 x 4-way, 4 screw terminals,
with spreading claws,
70 x 70 x 29 mm, 45 g



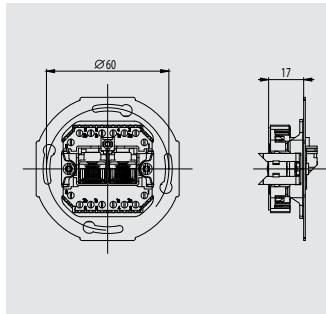
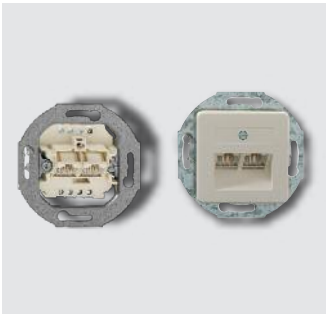
IAE/UAE 8/8 (4/4) Ap
130 101 09 ●
 2 x 4-way, 2x4 screw terminals,
 pearl white (similar RAL 1013),
 65 x 80 x 26 mm, 41 g

ISDN double-jacks
 for two connections
 IAE/UAE 8/8 (4/4)

2 x 8 contacts

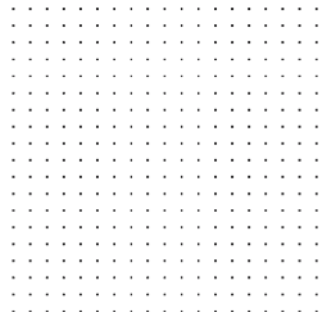


IAE/UAE 8/8 (4/4) Up
130 102 13 ●
 2 x 4-way, 2x4 screw terminals,
 with center plate and wall plate,
 with spreading claws,
 pearl white (similar RAL 1013),
 80 x 80 x 31 mm, 63 g



IAE/UAE 8/8 (4/4) Up 50
130 103 09 ●
 2 x 4-way, 2x4 screw terminals,
 with center plate and wall plate,
 with spreading claws,
 pearl white (similar RAL 1013),
 70 x 70 x 31 mm, 51 g

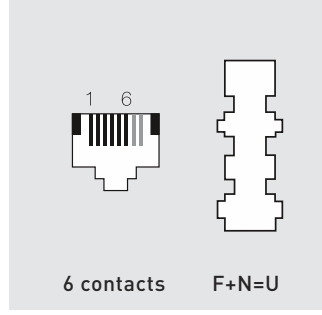
IAE/UAE 8/8 (4/4) Up 50 rw
130 103 40 ●
 pearl white (similar RAL 9010)



IAE/UAE 8/8 (4/4) Up 0
130 104 16 ●
 2 x 4-way, 2x4 screw terminals,
 with spreading claws,
 70 x 70 x 29 mm, 47 g

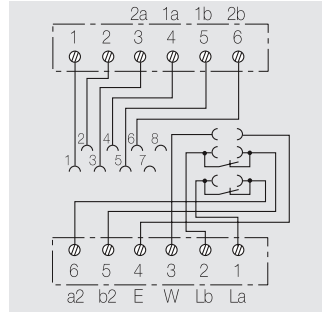
ISDN double-jacks
for two connections
IAE/UAE 8 (6)-TAE 6 F+N

This "Combi Jack" is compatible with the TAE-design center plate of the manufacturer of electrical installation material.



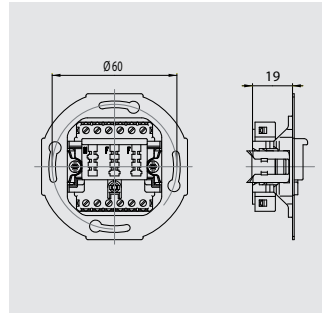
IAE/UAE 8 (6)-TAE 6 F+N Ap
133 101 01 ●
2 x 6-way,
2 x 6 screw terminals,
pearl white (similar RAL 1013),
65 x 80 x 26 mm, 45 g

IAE/UAE 8 (6)-TAE 6 F+N
Ap rw
133 111 01 ●
pure white (similar RAL 9010)



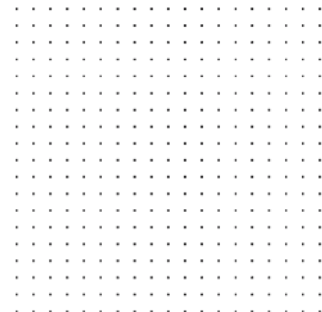
IAE/UAE 8 (6)-TAE 6 F+N Up
133 102 01 ●
2 x 6-way, 2 x 6 screw terminals,
with center plate and wall plate,
with spreading claws,
pearl white (similar RAL 1013),
80 x 80 x 31 mm, 67 g

IAE/UAE 8 (6)-TAE 6 F+N
Up rw
133 112 01 ●
pure white (similar RAL 9010)



IAE/UAE 8 (6)-TAE 6 F+N Up 50
133 103 01 ●
2 x 6-way, 2 x 6 screw terminals,
with center plate,
with spreading claws,
pearl white (similar RAL 1013),
70 x 70 x 31 mm, 55 g

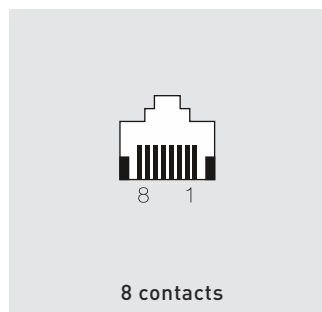
IAE/UAE 8 (6)-TAE 6 F+N
Up 50 rw
133 113 01 ●
pure white (similar RAL 9010)



IAE/UAE 8 (6)-TAE 6 F+N Up 0
133 104 01 ●
2 x 6-way, 2 x 6 screw terminals,
with spreading claws,
pearl white (similar RAL 1013),
70 x 70 x 29 mm, 51 g

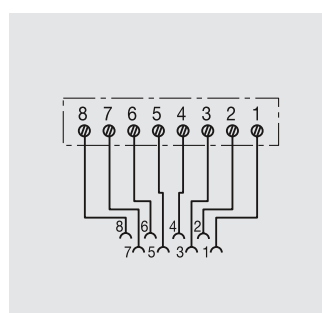
IAE/UAE 8 (6)-TAE 6 F+N Up 0 rw
133 114 01 ●
pure white (similar RAL 9010)

UAE single-jacks
UAE 8 (8)



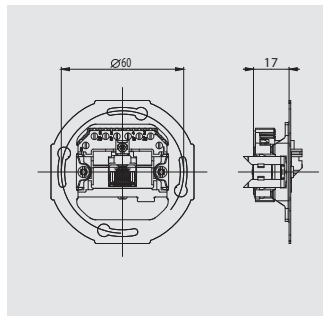
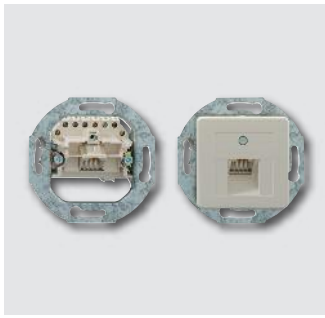
UAE 8 (8) Ap
130 101 06 ●
8-way, 8 screw terminals,
pearl white (similar RAL 1013),
65 x 80 x 26 mm, 39 g

UAE 8 (8) Ap rw
130 101 29 ●
pure white (similar RAL 9010)



UAE 8 (8) Up
130 102 10 ●
8-way, 8 screw terminals,
with center plate and wall plate,
with spreading claws,
pearl white (similar RAL 1013),
80 x 80 x 31 mm, 59 g

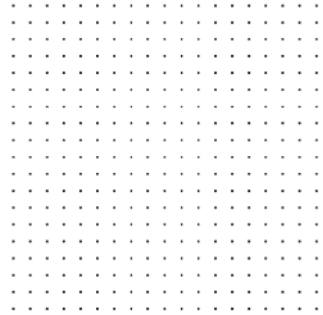
UAE 8 (8) Up rw
130 102 45 ●
pure white (similar RAL 9010)



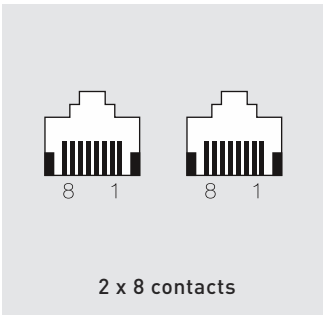
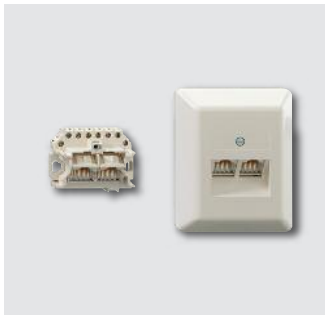
UAE 8 (8) Up 50
 130 103 06 ●
 8-way, 8 screw terminals,
 with center plate,
 with spreading claws,
 pearl white (similar RAL 1013),
 70 x 70 x 31 mm, 49 g

UAE 8 (8) Up 50 rw
 130 103 38 ●
 pure white (similar RAL 9010)

UAE single-jacks
 UAE 8 (8)



UAE 8 (8) Up 0
 130 104 07 ●
 8-way, 8 screw terminals,
 with spreading claws,
 70 x 70 x 29 mm, 44 g

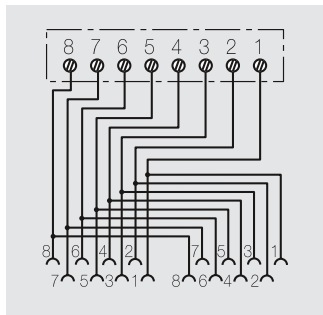


UAE 2x8 (8) Ap
 130 101 08 ●
 2 x 8-way, 8 screw terminals,
 pearl white (similar RAL 1013),
 65 x 80 x 26 mm, 38 g

UAE 2x8 (8) Ap rw
 130 101 30 ●
 pure white (similar RAL 9010)

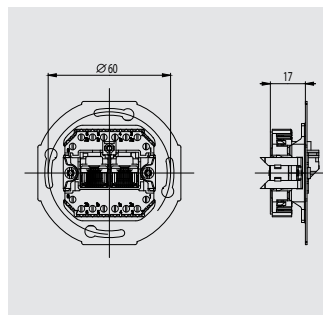
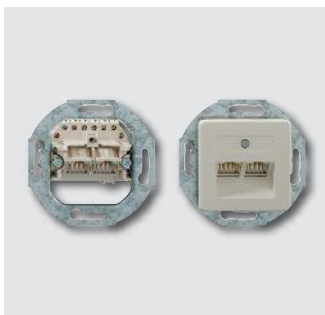
UAE double-jacks
 for one connection
 UAE 2x8 (8)

2 x 8 contacts



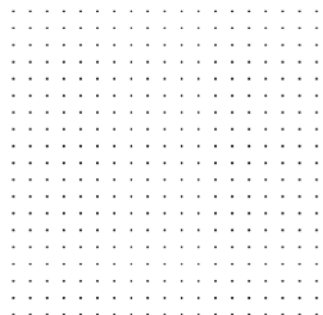
UAE 2x8 (8) Up
 130 102 12 ●
 2 x 8-way, 8 screw terminals,
 with center plate and wall plate,
 with spreading claws,
 pearl white (similar RAL 1013),
 80 x 80 x 31 mm, 61 g

UAE 2x8 (8) Up rw
 130 102 46 ●
 pure white (similar RAL 9010)



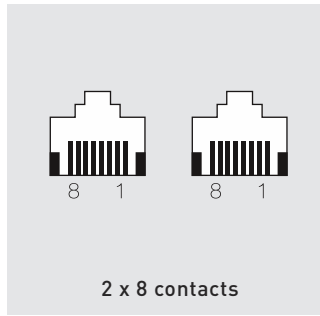
UAE 2x8 (8) Up 50
 130 103 08 ●
 2 x 8-way, 8 screw terminals,
 with center plate,
 with spreading claws,
 pearl white (similar RAL 1013),
 70 x 70 x 31 mm, 50 g

UAE 2x8 (8) Up 50 rw
 130 103 37 ●
 pure white (similar RAL 9010)



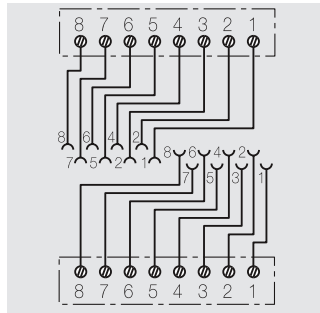
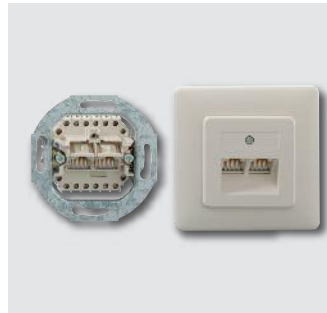
UAE 2x8 (8) Up 0
 130 104 21 ●
 2 x 8-way, 8 screw terminals,
 with spreading claws,
 70 x 70 x 29 mm, 45 g

UAE double-jacks
for two connections
UAE 8/8 (8/8)



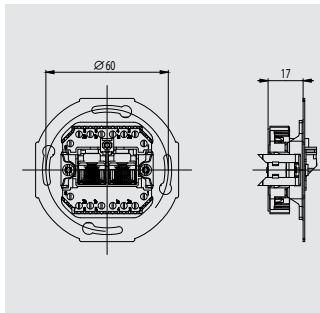
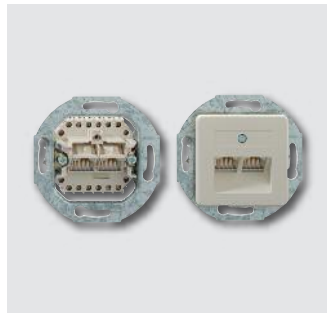
UAE 8/8 (8/8) Ap
130 101 10 ●
2 x 8-way, 2 x 8 screw terminals,
pearl white (similar RAL 1013),
65 x 80 x 26 mm, 44 g

UAE 8/8 (8/8) Ap rw
130 101 31 ●
pure white (similar RAL 9010)



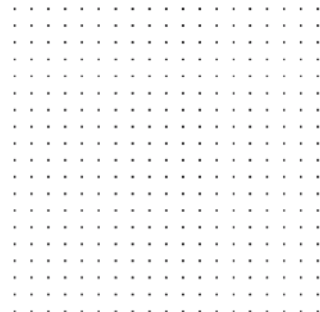
UAE 8/8 (8/8) Up
130 102 14 ●
2 x 8-way, 2 x 8 screw terminals,
with center plate and wall plate,
with spreading claws,
pearl white (similar RAL 1013),
80 x 80 x 31 mm, 66 g

UAE 8/8 (8/8) Up rw
130 102 47 ●
pure white (similar RAL 9010)



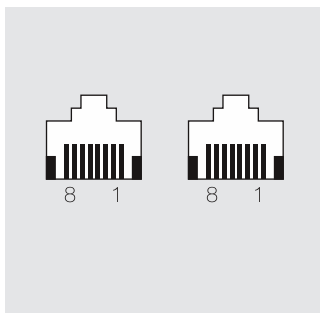
UAE 8/8 (8/8) Up 50
130 103 10 ●
2 x 8-way, 2 x 8 screw terminals,
with center plate,
with spreading claws,
pearl white (similar RAL 1013),
70 x 70 x 31 mm, 47 g

UAE 8/8 (8/8) Up 50 rw
130 103 41 ●
pure white (similar RAL 9010)



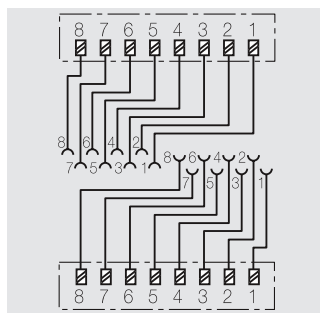
UAE 8/8 (8/8) Up 0
130 104 22 ●
2 x 8-way, 2 x 8 screw terminals,
with spreading claws,
70 x 70 x 29 mm, 40 g

UAE double-jacks
for two connections
UAE 8/8 (8/8) LSA



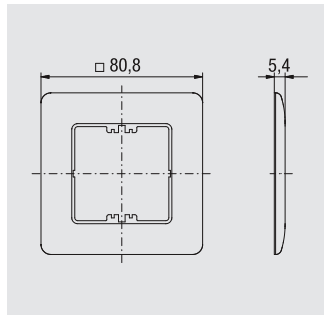
UAE 8/8 (8/8) LSA Ap
130 101 12 ●
2 x 8-way, 2 x 8 LSA-contacts,
pearl white (similar RAL 1013),
65 x 80 x 26 mm, 45 g

UAE 8/8 (8/8) LSA Ap rw
130 111 12 ●
pure white (similar RAL 9010)



UAE 8/8 (8/8) LSA Up
130 102 16 ●
2 x 8-way, 2 x 8 LSA-contacts, with
plastic mounting brackets, center
plate and wall plate, with spreading
claws,
pearl white (similar RAL 1013),
80 x 80 x 30 mm, 53 g

UAE 8/8 (8/8) LSA Up rw
130 112 16 ●
pure white (similar RAL 9010)

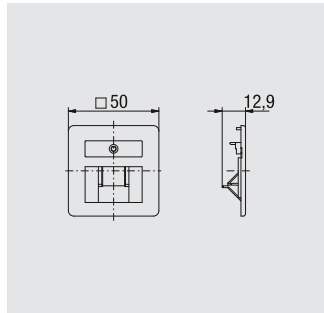


AP
100 100 01 ●
wall plate,
pearl white (similar RAL 1013),
80 x 80 x 5 mm, 12 g

AP rw
100 100 51 ●
pure white (similar RAL 9010)

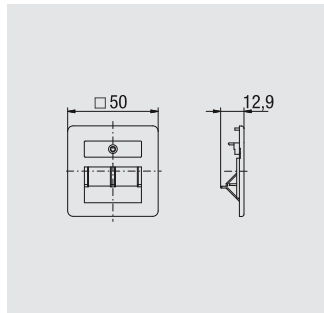
Wall plates and center plates for
IAE/UAE-jacks
and UAE-jacks
AP, ZSt

Wall plates and center plates
made of ABS-plastic,
available in
pearl white (similar RAL 1013) and
pure white (similar RAL 9010).



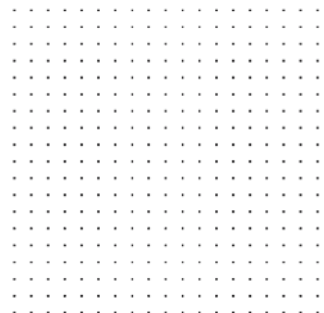
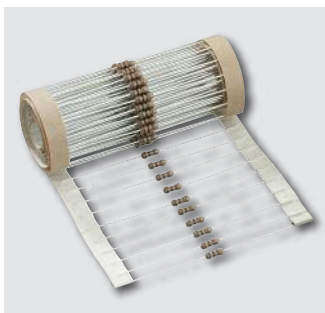
ZSt UAE-Cat. 8
135 100 02 ●
Center plate with 1 outlet
with a designation strip,
pearl white (similar RAL 1013),
50 x 50 x 13 mm, 6 g

ZSt-Cat. 8 rw
135 100 52 ●
pure white (similar RAL 9010)



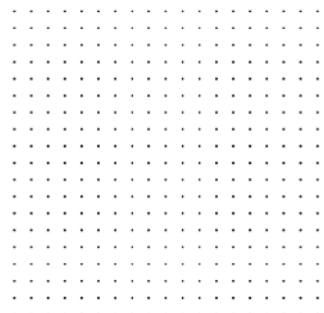
ZSt UAE-Cat. 8/8
135 100 03 ●
Center plate with 2 outlets
with a designation strip,
pearl white (similar RAL 1013),
50 x 50 x 13 mm, 6 g

ZSt UAE-Cat. 8/8 rw
135 100 53 ●
pure white (similar RAL 9010)



ISDN-Termination resistor
681 072 ●
Termination resistor, 100 Ω
termination resistor for use
in ISDN-jacks
100 Ω ± 5%, 0,33 W

Accessory for
IAE/UAE-jacks and
UAE-jacks

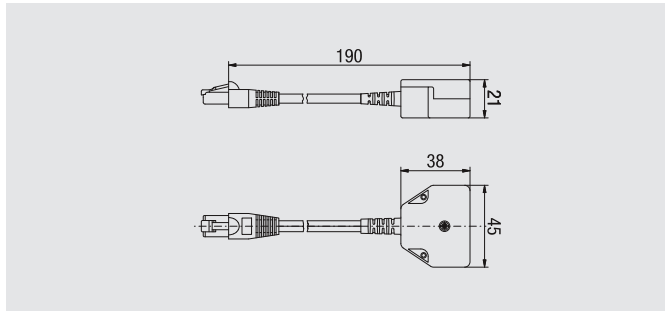


AW 2
392 000 00 ●
Connection tool for LSA- and
LSA-Plus-terminals,
with pressure sensor
and cutting blade,
38 x 177 x 21 mm, 80 g

Shielded adapter for cable sharing T-ADAP

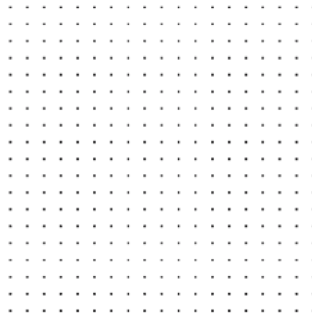
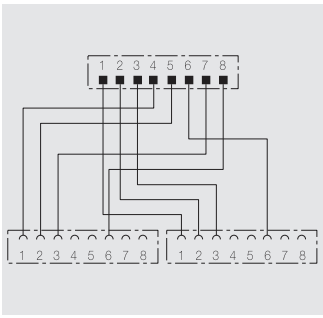
By use of cable sharing adapters, two services (4-wires) can be executed simultaneously at existing 8 wire cables. A data transmission rate of 100 Mbit/s can be used parallel to an ISDN terminal by using an adapter at the beginning and at the end of a 8-wire-link. Alternatively, two ISDN terminals can be connected parallel at a data jack, without modification of the wiring.

Alltogether, there are 4 practical adapters for the most common applications available.

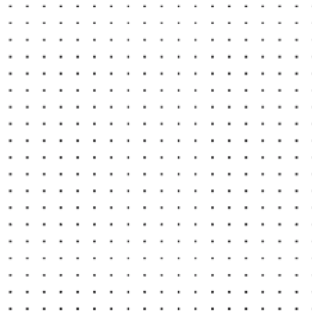
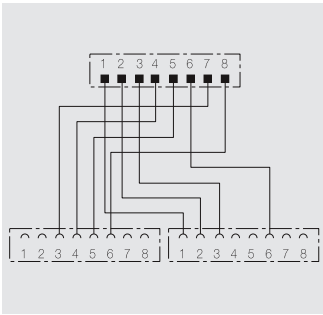


Performance features

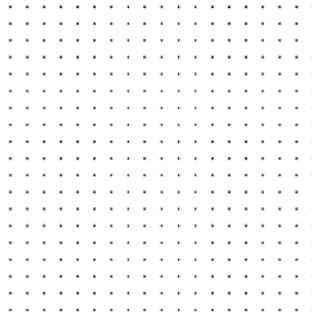
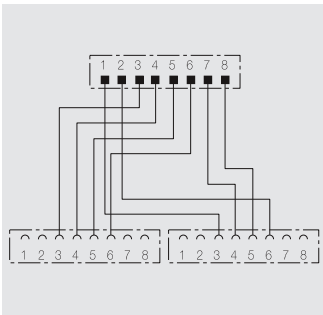
- 2 applications with a 8-wire cable
- easy back-/retrofitting of a link
- all adapters continuously shielded
- transmission characteristics according to Cat.5e/Class D
- mounting possibility with screws



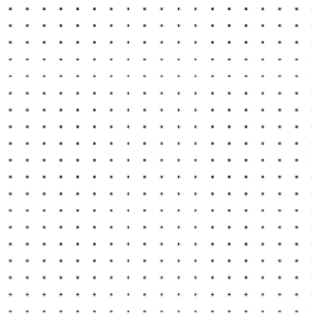
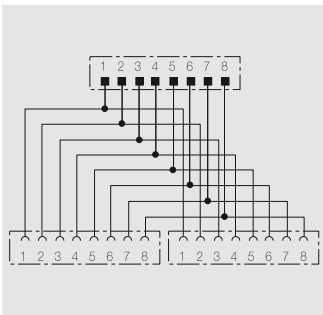
T-ADAP Ethernet/Ethernet
135 106 03 ●
 for cables sharing,
 Cat.5e, shielded,
 2 x 10/100 Mbit/s,
 45 x 21 x 38 mm, 50 g



T-ADAP Ethernet/ISDN
135 106 04 ●
 for cables sharing,
 Cat.5e, shielded,
 1 x 10/100 Mbit/s, 1 x ISDN,
 45 x 21 x 38 mm, 50 g



T-ADAP ISDN/ISDN
135 106 05 ●
 for cables sharing,
 shielded, 2 x ISDN,
 45 x 21 x 38 mm, 50 g



T-ADAP 2 x 8
135 106 06 ●
 for cables sharing,
 shielded, outlets 1:1 parallel,
 45 x 21 x 38 mm, 50 g

TAE-jacks

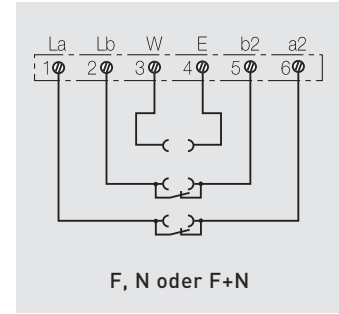
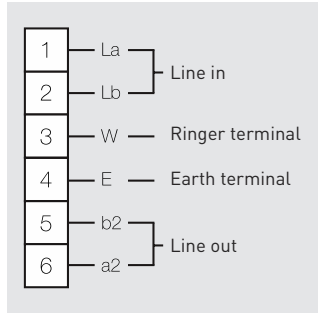
Sockets, covers, center plates and wall plates made of ABS-material, pearl white (similar RAL 1013), pure white (similar RAL 9013)

Contact carrier made of ABS-material, black (similar RAL 9005).

Contacts made of German silver, respectively, brass, tin-plated.

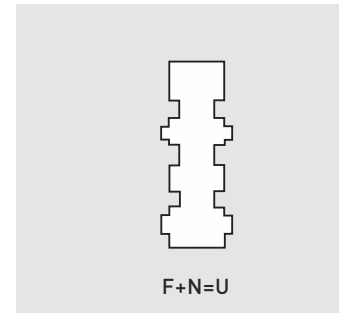
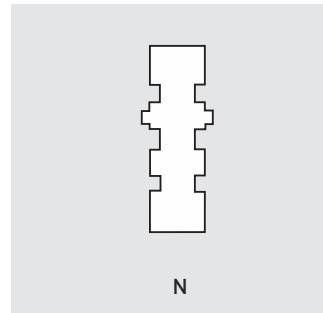
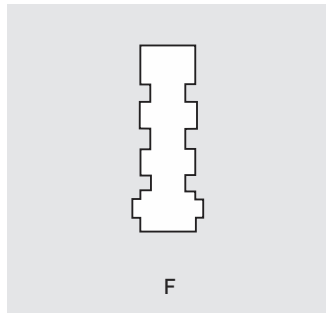
Metall mounting rings and mounting brackets, tinned.

Protection class IP 20 according to DIN EN 60529

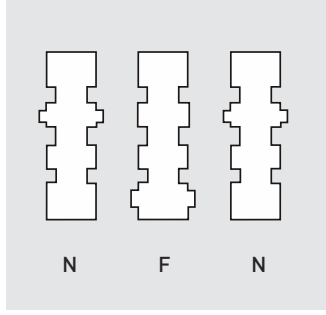


The codings on jacks and plugs guarantee a faultless connection.

- Coding **F** for telephones or telefax with telephone
- Coding **N** for ancillary equipment like telefax, answering machine, charge meter, modem or dialling device
- Coding **N+F** universal use



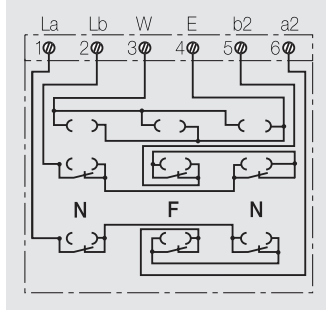
Mechanical characteristics	
Connector/outlet	
Built	according to DIN 41715:1991-05
Connection technique	screw terminals for wire 1 mm Ø, 2 wires at each contact
Outlet suitable	for 6-way plugs according to DIN 41715-3:1991-05
Material spring contact outlet	CuNi 18 Zn 20
Surface spring contact switching area	Ni 2 µm + AuAgCu
Life (insertions and withdrawals) outlet	> 10000 cycles
Material housing	PBT, ABS
Electrical characteristics	
Voltage	125 V DC/AC
Operating current	max. 10 VA
Voltage withstand	1000 V, 50 Hz, 1 Min.
Isolation resistance	≥ 200 MΩ
Contact resistance	≤ 20/30 mΩ



TAE 3x6 NFN Ap
102 101 03 ●
 3 x 6-way, 6 screw terminals,
 pearl white (similar RAL 1013),
 65 x 80 x 27 mm, 41 g

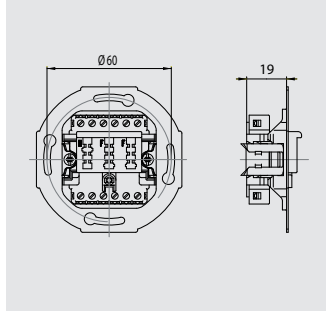
TAE 3x6 NFN Ap rw
102 101 09 ●
 pure white (similar RAL 9010)

TAE-triple jacks
 for one connection
 TAE 3x6 NFN



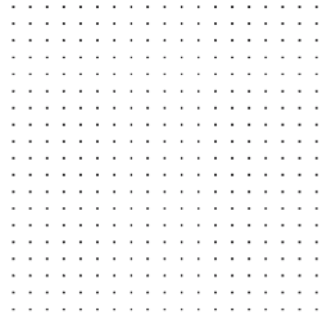
TAE 3x6 NFN Up
102 102 03 ●
 3 x 6-way, 6 screw terminals,
 with center plate and wall plate,
 with spreading claws,
 pearl white (similar RAL 1013),
 80 x 80 x 31 mm, 67 g

TAE 3x6 NFN Up rw
102 102 04 ●
 pure white (similar RAL 9010)



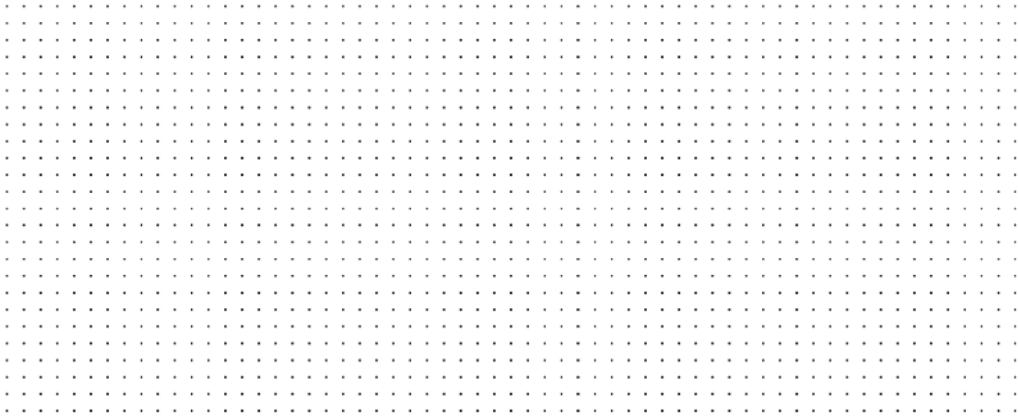
TAE 3x6 NFN Up 50
102 103 03 ●
 3 x 6-way, 6 screw terminals,
 with center plate,
 with spreading claws,
 pearl white (similar RAL 1013),
 70 x 70 x 31 mm, 52 g

TAE 3x6 NFN Up 50 rw
102 103 05 ●
 pure white (similar RAL 9010)

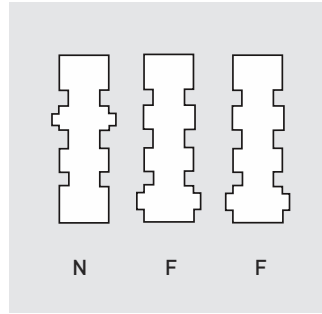


TAE 3x6 NFN Up 0
102 105 03 ●
 3 x 6-way, 6 screw terminals,
 with spreading claws,
 pearl white (similar RAL 1013),
 70 x 70 x 29 mm, 49 g

TAE 3x6 NFN Up 0 rw
102 105 17 ●
 pure white (similar RAL 9010)

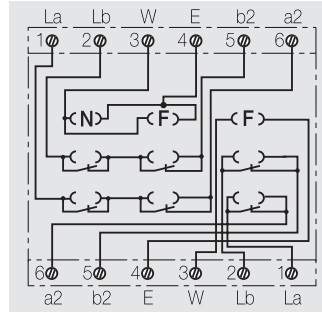


TAE-triple jacks
for two connections
TAE 2x6/6 NFF



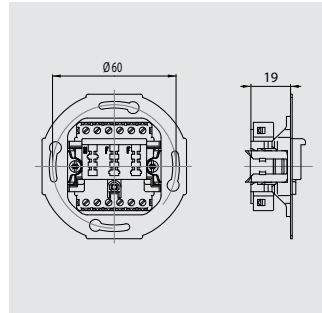
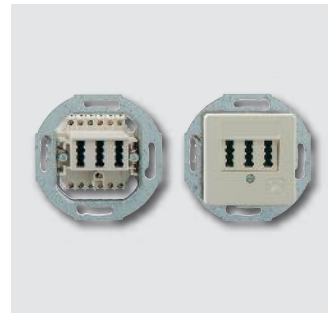
TAE 2x6/6 NFF Ap
103 101 10 ●
3 x 6-way, 2 x 6 screw terminals,
pearl white (similar RAL 1013),
65 x 80 x 27 mm, 45 g

TAE 2x6/6 NFF Ap rw
103 101 14 ●
pure white (similar RAL 9010)



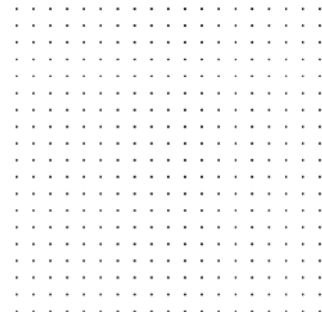
TAE 2x6/6 NFF Up
103 102 10 ●
3 x 6-way, 2 x 6 screw terminals,
with center plate and wall plate,
with spreading claws,
pearl white (similar RAL 1013),
80 x 80 x 31 mm, 68 g

TAE 2x6/6 NFF Up rw
103 102 22 ●
pure white (similar RAL 9010)



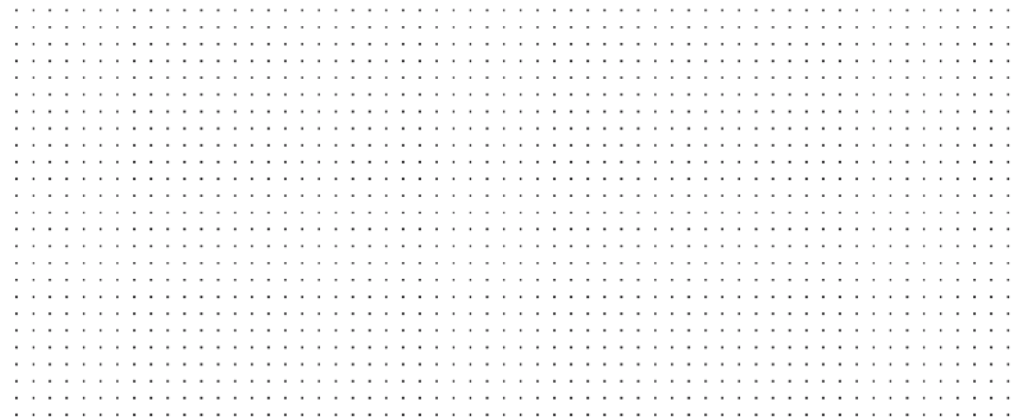
TAE 2x6/6 NFF Up 50
103 103 10 ●
3 x 6-way, 2 x 6 screw terminals,
with center plate,
with spreading claws,
pearl white (similar RAL 1013),
70 x 70 x 31 mm, 56 g

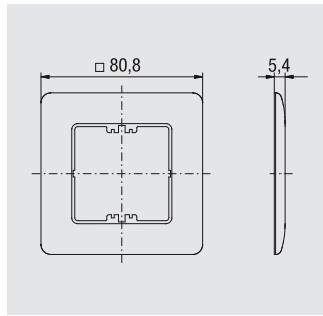
TAE 2x6/6 NFF Up 50 rw
103 103 13 ●
pure white (similar RAL 9010)



TAE 2x6/6 NFF Up 0
103 105 10 ●
3 x 6-way, 2 x 6 screw terminals,
with spreading claws,
pearl white (similar RAL 1013),
70 x 70 x 29 mm, 53 g

TAE 2x6/6 NFF Up 0 rw
103 105 18 ●
pure white (similar RAL 9010)



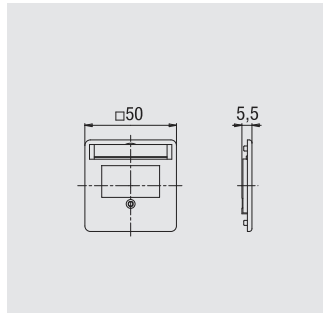


AP
100 100 01 ●
Wall plate,
pearl white (similar RAL 1013),
80 x 80 x 5 mm, 12 g

AP rw
100 100 51 ●
pure white (similar RAL 9010)

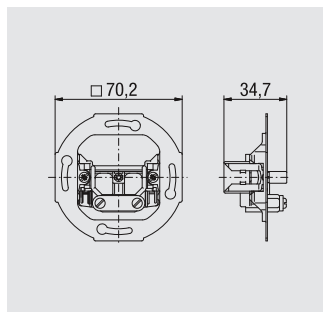
Wall plates and center plates
for TAE-jacks
AP, ZSt

Wall plates and center plates
made of ABS, available in
pearl white (similar RAL 1013)
and
pure white (similar RAL 9010).



ZSt UM-MA 2
139 100 03 ●
Center plate, for 2 outlets RJ45,
with labeling strip,
for UM-MA 2 Up,
pearl white (similar RAL 1013),
50 x 50 x 6 mm, 6 g

ZSt UM-MA 2 rw
139 100 53 ●
pure white (similar RAL 9010)

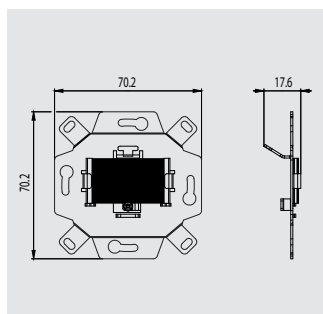


KA 9 Up 0
193 105 01 ●
with spreading claws,
70 x 70 x 35 mm, 40 g

Cable outlet KA

Sockets made of ABS-material,
black (similar RAL 9005)

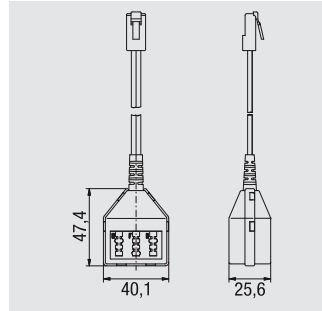
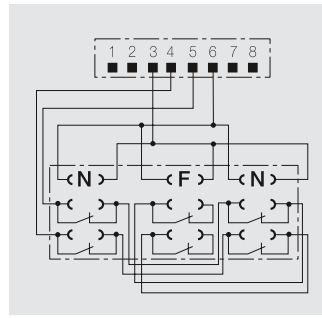
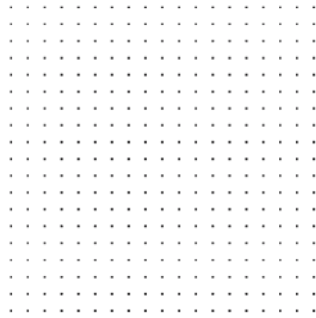
Protection class IP 20 according to
DIN EN 60529



KD Up 0
193 105 10 ●
Universal cable feedthrough
for flush mounting,
cut out size of the cable feed
through 32.5 x 17.5 mm, for
customary TAE-center plates,
break off mounting ring can be
converted into mounting bracket,
with strain relief on the backside
70 x 70 x 17 mm, 46 g

Cable feedthrough KD

Telephone-adapter
for analog telephones
in generic networks



ADAP UAE/TAE 3x6 NFN

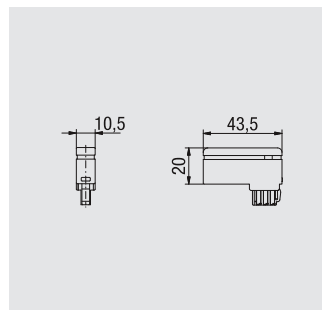
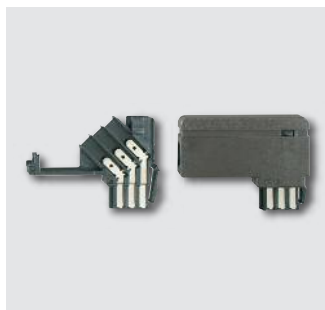
154 006 02 ●

Adaptercord RJ 45/UAE, 0.15 m,
for analog telephone in generic
networks or for use with a line 21®-
UAE (8/8),
black,
40 x 47 x 26 mm, 23 g

Telecommunications-
connector-plug
free pin assignment
for telephones (F) and
for ancillary equipment (N)

Plug made of PBT-material,
coding F black, coding N grey,
plug cap made of ABS-material,
grey.

Contacts German silver,
respectively, phosphor bronze,
hard gold-plated.



TS F

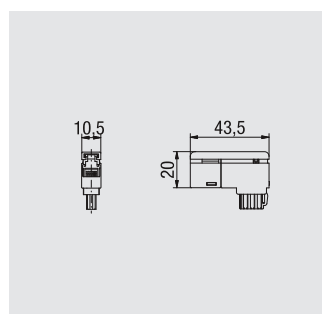
700 101 241 ●

for telephones,
44 x 30 x 11 mm, 9 g

TS N

700 101 251 ●

for ancillary equipment



TS US F

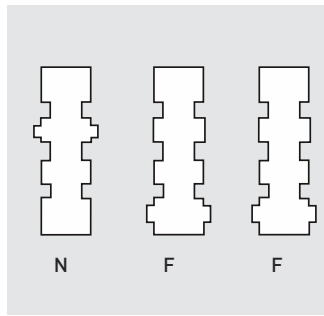
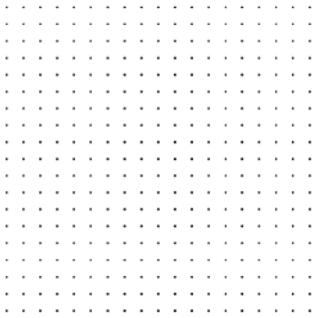
700 101 243 ●

for telephones with RJ11-/
RJ12-plug system ,
44 x 30 x 11 mm, 18 g

TS US N

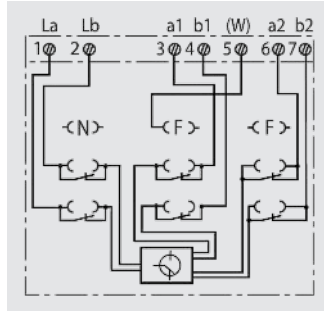
700 101 253 ●

for ancillary equipment with
RJ11-/RJ12-plug system

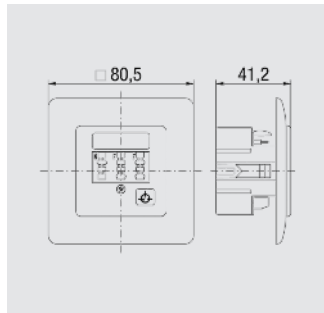


Coding F
for telephones or telefax with telephone

Coding N
for ancillary equipment like telefax, answering machine, charge meter, modem or dialling device



AMS 1/2 NFF Ap
161 101 19 ●
with integrated TAE-opening for max. 2 telephones and 1 ancillary equipment, coding NFF, pearl white (similar RAL 1013), 65 x 80 x 28 mm, 82 g



AMS 1/2 NFF Up
160 101 19 ●
with integrated TAE-opening for max. 2 telephones and 1 ancillary equipment, coding NFF, with centre plate and wall plate, pearl white (similar RAL 1013), 80 x 80 x 41 mm, 99 g

Automatic multiple switch AMS

For the connection of two telephones and one ancillary equipment at one subscriber or extension line. For pulse or DTMF-dialling.

Signalling takes place at all devices. The call will be established where the handset is picked up first. Easy call transfer by picking up the handset and going on-hook. Two wire technique, power feeding from the public switched telephone network (PSTN).

Four ringing circuits are allowed if, connected to the subscriber line. With integrated opening for telephone 1.

Sockets, covers, centre plates and wall plates made of ABS-material, pearl white (similar RAL 1013),

Baseplate, cover and flush mounting-pot made of ABS-material, pearl white (similar RAL 1013).

Terminal strip made of PA-material.

Protection class IP20 according to DIN EN 60529

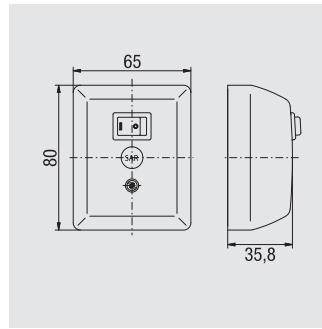
High-current switching on relay SAR

For call signalling to devices with independent power supply, e.g. 230 V horn or rotary beacon. The connection will be made with screw terminals, 2 pole. The screw terminals for the high-current equipment are touch protected. The switch S brings the relay into the operating mode.

Sockets and covers made of ABS-material, pearl white (similar RAL 1013).

According to VDE 0800.

Protection class IP20 according to DIN EN 60529



SAR Ap

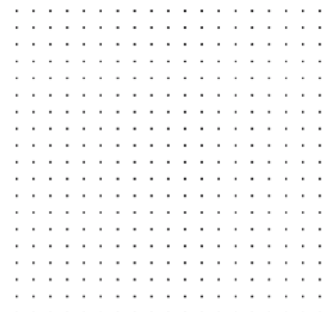
500 101 02 ●

for the connection at the telephone line, Switching load 8A at 230V/50 Hz (at real load), Control voltage: 30-60V/ 23-55 Hz
pearl white (similar RAL 1013), 65 x 80 x 36 mm, 77 g

Additional ringer WK 955

The additional ringer enables the signalling of the incoming calls in separate rooms. The built-in TAE-outlet can be covered. The signalling takes place acoustically by a piezo-sound transformer and optically by a LED. Volume and signalling frequency are adjustable.

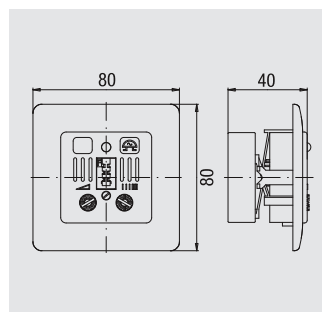
Protection class IP20 according to DIN EN 60529



WK 955 Ap

162 101 01 ●

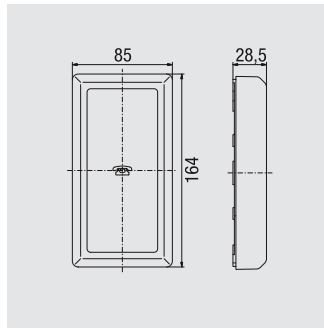
Operating voltage: 30-60V/ 23-55 Hz
Volume: >92 dB(A) measured in special room,
Signalling frequency: 800-1333 Hz
pearl white (similar RAL 1013), 65 x 80 x 30 mm, 77 g



WK 955 Up

162 102 01 ●

Operating voltage: 30-60V/ 23-55 Hz
Volume: >92 dB(A) measured in special room,
Signalling frequency: 800-1333 Hz
pearl white (similar RAL 1013), 80 x 80 x 40 mm, 101 g



VVD 85 Ap
 245 101 02 ●
 for 10 pairs, 2 earth wires,
 pearl white (similar RAL 1013),
 85 x 164 x 29 mm, 168 g

**Distribution boxes with
 LSA-Plus-terminals
 VVD**

Sockets and covers made
 of ABS-material,

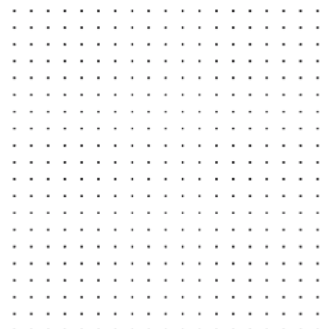
pearl white (similar RAL 1013).
 Connection elements made of
 PBT-material, grey.

LSA-Plus-terminals made
 of brass, silver plated.

LSA-Plus-terminal can hold
 solid conductors 0.4 mm
 to 0.8* mm Ø.

Protection Class IP30
 according to DIN EN 60529

* After connection with conductors
 ≥ 0,65 mm Ø a faultless connection of
 smaller conductors is not ensured.



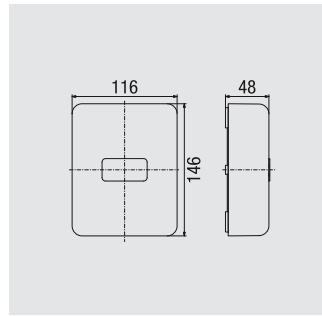
AW 2
 392 000 00 ●
 Connection tool for LSA- and
 LSA-Plus-terminals, with
 pressure sensor and cutting blade,
 38 x 177 x 21 mm, 80 g

**Accessory
 for VVD**

Universal housings
UG

Housings made of ABS-material, base plate, black (similar RAL 9005), cover pearl white (similar RAL 1013) or light grey (similar RAL 7035).

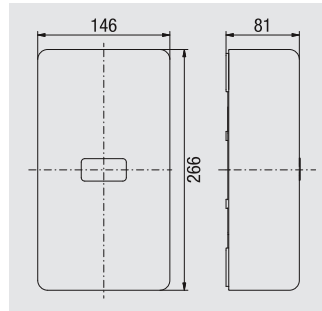
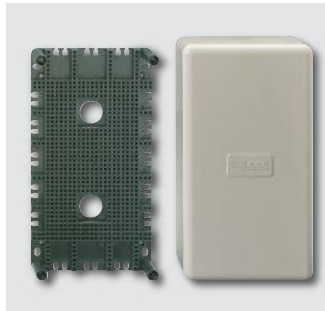
Protection Class IP30 according to DIN EN 60529



UG 2 w
240 001 01 ●

cover, pearl white (similar RAL 1013), 116 x 146 x 48 mm, 209 g, Available inner height: 30,5 mm

Maximum capacity
3 x AsLe A 10 LSA = 30 pairs
or
2 x AsLe A 10 S/S = 20 pairs



UG 3 w
220 001 01 ●

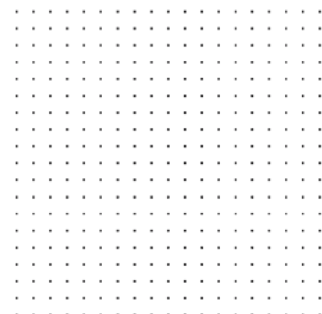
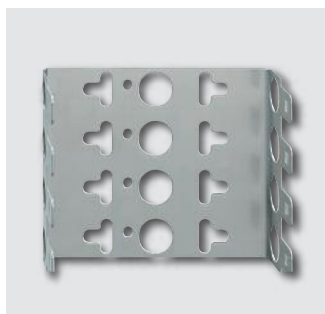
cover, pearl white (similar RAL 1013), 146 x 266 x 81 mm, 540 g, Available inner height: 66,5 mm

Maximum capacity
10 x VE 10 LSA* = 100 pairs
or
8 x AsLe A 10 LSA = 80 pairs
or
3 x AsLe B 20 LSA = 60 pairs
or
2 x AsLe B 20 S/S = 40 pairs
or
2 x AsLe B 20 S/L = 40 pairs

* in connection with mounting bars MB 10

Accessory
for UG

Mounting bar made of stainless steel, rust-proof



MB 4
221 004 ●
mounting bar for LSA-connection elements, 10 pairs, grid dimension 22.5 mm, for 4 modules, Installation height: 22 mm, 104,5 x 87,5 x 42 mm, 98 g

MB 5
221 007 ●
for 5 modules, 104,5 x 110 x 42 mm, 123 g

MB 10
221 006 ●
for 10 modules, 104,5 x 222,5 x 42 mm, 246 g



KVK
270 103 10 ●
Compact distribution box, 1 EKL 5, with catch¹, with labeling card and installation material, light grey (similar RAL 7035), 295 x 320 x 96 mm, 2065 g

Compact distribution box KVK

The optimized dimensions of the KVK offer a maximum capacity to hold modern terminal strips. The KVK consists of base plate, removable head pieces and cover with catch. Grid on the rails and blocks for self-tapping screws. Maximum capacity up to 200 pairs.

Base plate and head pieces made of ABS flame retardent according to UL 94 V0, platinum grey (similar RAL 7036).

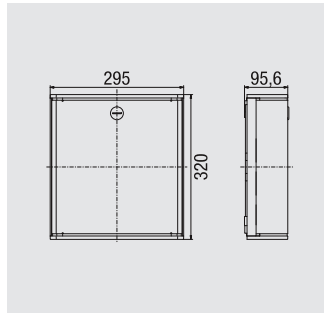
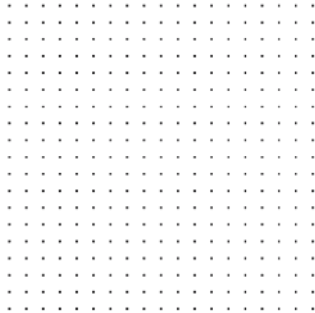
Cover made of sheet-steel, plastic coated, light grey (similar RAL 7035).

Protection Class IP30 according to DIN EN 60529

Maximum capacity

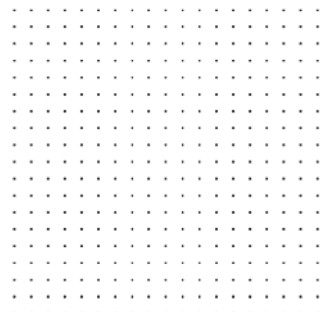
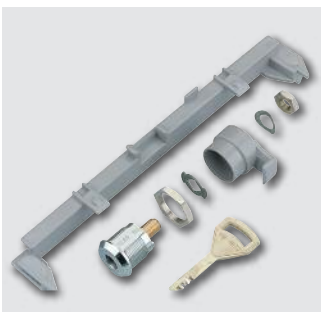
4 x AsLe B 20 S/S (S/L) = 80 pairs
or
6 x AsLe B 20 LSA = 120 pairs
or
16 x VE 10 LSA* = 160 pairs
or
20 x VE 10 LSA** = 200 pairs

* on 4 x MB 4
** on 2 x MB 10



KVK MB
270 103 13 ●
Compact distribution box, with flat fastening bar, with catch¹, with labeling card and installation material, light grey (similar RAL 7035), 295 x 320 x 96 mm, 2065 g

¹ Instead of built-in catch (delivery state) the lock set 690 317 can also be installed afterwards.



KVK Sch
690 317 ●
Lock set for the KVK and KVK MB, locking cylinder and locking bar, installation of lock set prevents unauthorised opening, 165 x 23 x 202 mm, 109 g

**Distribution boxes
for private networks VKP 85
Surface mounting
VKP 85 Ap**

Base plates and covers made of sheet-steel, plastic-coated, pebble grey (similar RAL 7032).

Plastic corners, mounting rails and wiring guide rings made of ABS-material, black (similar RAL 9005).

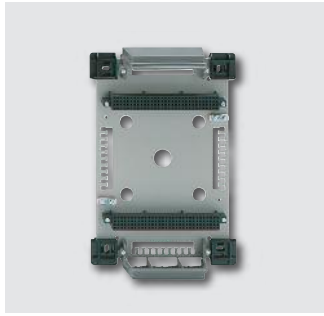
Cable entry holes and catch made of ABS-material, grey.

Earth clamps made of sheet-steel, nickel-plated. Each earth clamp EKL 4 consists of two screw terminals for earth conductors up to 2.5 mm².

Instead of built-in catch (delivery state) a rotating bar lock 260 101 02 can also be installed afterwards.

VKP 85 Ap are to a major part in accordance with DIN 47615.

Protection class IP30 according to DIN EN 60529



VKP 85/2 Ap
270 101 01 ●
with 2 mounting rails 170 mm, 2 EKL 4 and 4 wiring guide rings, with catch, light grey (similar RAL 7035), 220 x 330 x 76 mm, 1919 g

Arrangement e.g.:

up to 3 terminal strips 260 000 / 001
= 60 pairs
up to 5 terminal strips 260 00 40
= 100 pairs



VKP 85/4 Ap
270 101 10 ●
with 2 mounting rails 270 mm, 2 EKL 4 and 8 wiring guide rings, with catch, light grey (similar RAL 7035), 320 x 330 x 76 mm, 2660 g

Arrangement e.g.:

up to 5 terminal strips 260 000 / 001
= 100 pairs
up to 8 terminal strips 260 00 40
= 160 pairs

VKP 85/8 Ap
270 101 20 ●
with 4 mounting rails 270 mm, 4 EKL 4 and 12 wiring guide rings, with catch, light grey (similar RAL 7035), 320 x 530 x 76 mm, 4120 g

Arrangement e.g.:

up to 10 terminal strips 260 000 / 001
= 200 pairs
up to 16 terminal strips 260 00 40
= 320 pairs

VKP 85/12 Ap
270 101 30 ●
with 4 mounting rails 170 mm and 270 mm, 4 EKL 4 and 16 wiring guide rings, with catch, light grey (similar RAL 7035), 520 x 530 x 76 mm, 6420 g

Arrangement e.g.:

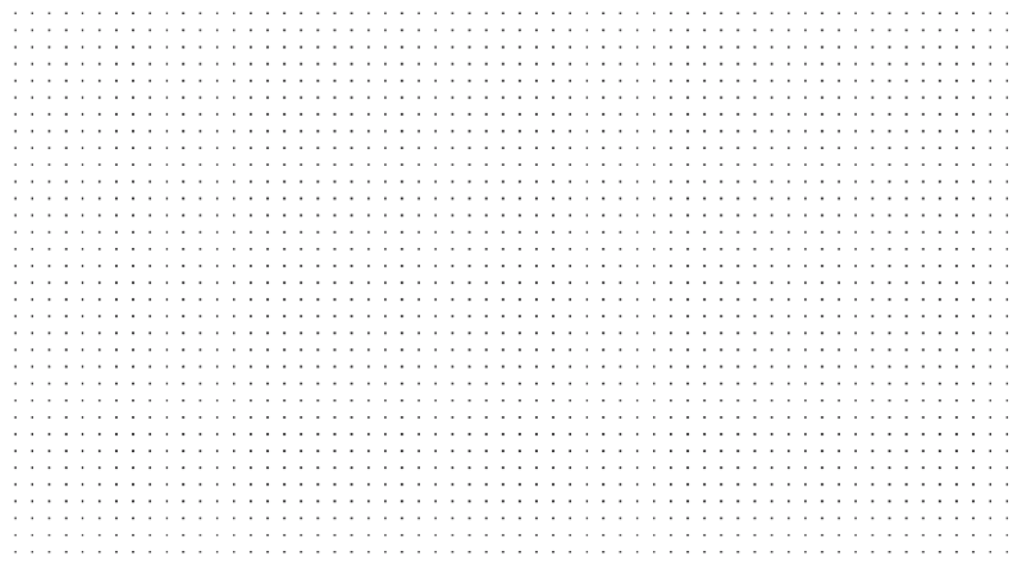
up to 16 terminal strips 260 000 / 001
= 320 pairs
up to 26 terminal strips 260 00 40
= 520 pairs

**Accessory
for VKP**



VK 85 Sch
260 101 02 ●
rotating bar lock, for mounting in distribution boxes VKP 85, 80 x 22 x 130 mm, 69 g

Special types upon request.





AsLe A 10 LSA
260 00 60 ●
Terminal strip with LSA-terminals,
10 pairs,
96 mm fixing gap,
light grey (similar RAL 7035),
30 x 122 x 24 mm, 46 g

AsLe B 20 LSA
260 00 40 ●
20 pairs,
170 mm fixing gap,
light grey (similar RAL 7035),
30 x 180 x 27 mm, 89 g

Terminal strips according to
DIN 47608 with solder free
connection technique
LSA
AsLe

Isolation bodies of the
LSA-terminal strips made
of PBT-material. Contacts made of
brass, silver-plated.

LSA-terminals of the AsLe
are designed for one solid
conductors of 0.4–0.8 mm Ø
or for two solid conductors
of the same diameter from
0.4–0.8 mm Ø. Outer diameter
of the isolation 0.7–1.6 mm.

LSA-terminals for earthing
wires are designed for solid
conductors with 0.4–0.8 mm Ø.
After connection with conductors
≤0.65 mm, a faultless connection
of smaller conductors is not
ensured.

Earthing terminals accept solid
conductors up to 2.5 mm².



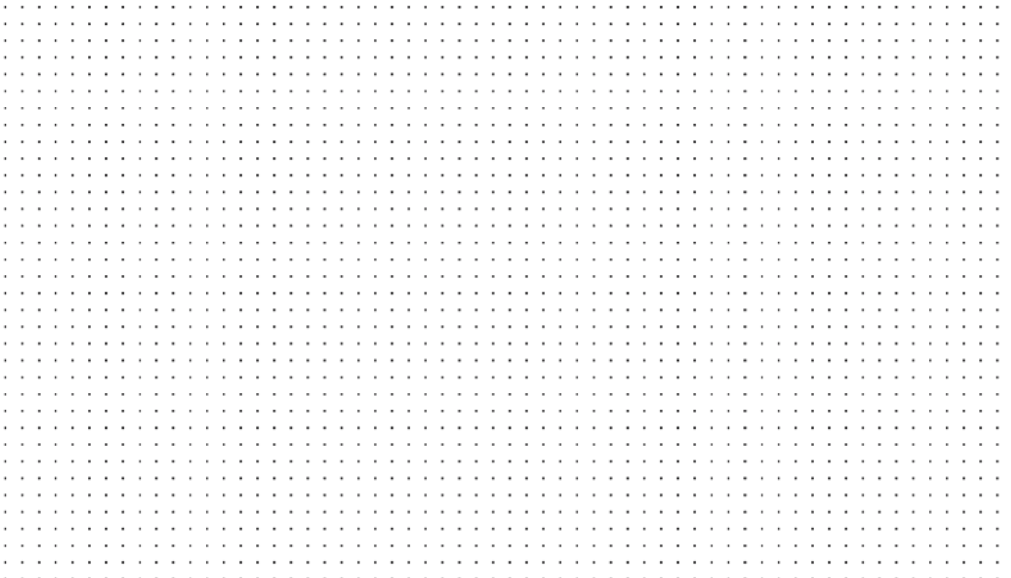
BST A LSA
291 37 00 ●
Labeling strip for
LSA-terminal strips with
96 mm fixing gap,
18 x 165 x 13 mm, 9 g



Test cord AsLe LSA
290 32 20 ●
Test cord with test-plug for AsLe
LSA, 2 ways with 2 sleeves,
200 mm fixing gap, 12 g



AW 2
392 000 00 ●
Connection tool for LSA-
and LSA-Plus-terminals,
with pressure sensor and
cutting blade,
38 x 177 x 21 mm, 80 g



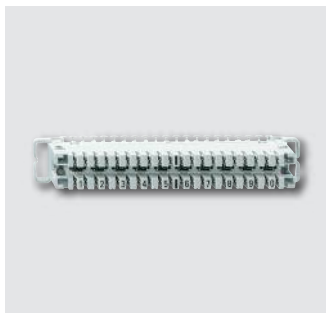
**Connection elements with solder free connection technic LSA for insertion on mounting bar LSA
VE**

Isolation bodies of the VE 10 made of PBT-material, grey. Contacts made of brass, silver-plated.

Mounting bars made of stainless steel.

LSA-terminals of the VE 10 are designed for one solid conductors of 0.4–0.8 mm Ø or for two solid conductors of the same diameter from 0.4–0.65 mm Ø. Outer diameter of the isolation 0.7–1.6 mm.

LSA-terminals for earthing wires are designed for solid conductors with 0.4–0.8 mm Ø. After connection with conductors ≥ 0.65 mm, a faultless connection of smaller conductors is not ensured.



VE 10 LSA
260 02 70 ●
Connection element with LSA-terminals, 10 pairs, installation height: 31 mm, grey, 22 x 124 x 42 mm, 53 g



MB 4
221 004 ●
Mounting bar for LSA-connection elements, 10 pairs, grid dimension 22.5 mm, for 4 modules, installation height: 22 mm, 104,5 x 87,5 x 42 mm, 98 g

MB 5
221 007 ●
for 5 modules, 104,5 x 110 x 42 mm, 123 g

MB 10
221 006
for 10 modules, 104,5 x 222,5 x 42 mm, 246 g



BST VE 10 LSA
291 56 10 ●
Folding labeling strip for VE 10 LSA, for tab width 9 mm, 14 x 108 mm, 8 g



TrS LSA
294 400 00 ●
Disconnection plug for 1 pair, black (similar RAL 9005), 9 x 28 x 7 mm, 1 g



AsLe A 10 S/S
260 033 ●
10 pairs,
screw terminals on both sides,
96 mm fixing gap,
with a designation strip,
45 x 106 x 23 mm, 100 g

Accessory for distribution boxes
Terminal strips according
to DIN 47614
AsLe

Isolation bodies of the
AsLe made of ABS-material, grey.

Contacts made of brass,
nickel-plated.



AsLe B 20 S/S
260 000 ●
20 pairs,
screw terminals on both sides,
170 mm fixing gap,
45 x 179 x 23 mm, 183 g

AsLe B 20 S/L
260 001 ●
Screw terminals on one side and
solder tags on the other,
with a designation strip,
45 x 179 x 23 mm, 125 g



DIN-rail adapter
221 012 ●
DIN-rail adapter for mounting
terminal strips, mounting bars,
telephone jacks or PP Ap on
DIN rail,
with screw M5,
14 x 50 x 7 mm, 5 g



AKL 801 XS
401 000 12 ●

AKL 802 S
401 000 14 ●

AKL 803 M
401 000 16 ●

AKL 804 L
401 000 18 ●

AKL 805 XL
401 000 20 ●

Anchoring clamps
for self supporting tele-
communication aerial cables
AKL

Housings of clamps made of
sheet steel, hot galvanized.

Clamping jaws and positioning
clips made of fibreglass
reinforced PA-material,
black (similar RAL 9005).



AKL 801 XS VA
404 000 12 ●
Housing made of stainless-steel 1.4301

AKL 802 S VA
404 000 14 ●
Housing made of stainless-steel 1.4301

Type	Clamping range mm Ø	Tensile strength max. kN	Dimensions mm	Weight g	Hook-Ø mm
AKL 801 XS (VA)	5,5 bis 10,5	2,5	174 x 45 x 32	162	20
AKL 802 S (VA)	8,5 bis 13,5	3,5	236 x 61 x 39	295	26
AKL 803 M	12,5 bis 17,5	4,5	276 x 70 x 47	522	28
AKL 804 L	16,5 bis 24,0	7,5	437 x 102 x 53	1385	36
AKL 805 XL	22,5 bis 30,0	11	499 x 122 x 60	2200	50

LOCKING SYSTEMS



FMT-Locking system solutions are already an important part of many installations in security sensitive environments.

In addition to many standard applications with a broad spectrum of passive solutions, specific customer- or OEM solutions are no problem.

High quality and robustness characterise all FMT - locking system solutions.

FMT, an enterprise of the Rutenbeck-group manufactures only in Germany and therefore, all products and solution are "Made in Germany"

All products can be found in detail at www.rutenbeck.com





As replacement or as supplement to the passive mechanical locking systems "proLock" represents a flexible and electronic way of access control.

ProLock controls electric door openers or motor locks. Of course, other electrical devices can also be controlled if authorization is provided.

The worldwide available iButton serves as a key. Each iButton has a globally unique identifier, is waterproof and extremely robust and can not be copied mechanically. The perfect key, even in extreme surroundings.

Besides the standalone solutions for flush mounting, IP-based customer-specific solutions from our system partner **attento systems** are available.

The electronic protection fittings for profile half-cylinder and the key safes, which can also be operated with the iButton complete the product range.



Locking systems
 Passive solutions
Security container,
 tube safes, rim locks

Always secure

Whether used outside as a key depot or inside as a small safe for valuables like money or jewellery - security containers from FMT are the right choice for all applications.

Ideal for service providers

The keys or keycards stored in the security container enable uncomplicated access to buildings for service providers or utility companies. Employees are able to open the tube safes at their operation area with the company key. The complex administration and safe keeping of customer's keys or keycards is no longer necessary.

Fits always

The security containers are available in varying lengths and diameters for flush and surface wall mounting. Special locks with disc tumblers are either delivered directly with the containers or are available as accessory. Due to its special locking technology, the locks are insensitive against humidity, frost or pollution and offer additional protection against drilling.

Stainless steel - indestructible

High-quality solid stainless steel provides security against corrosion and guarantees for long term usage.

Flush in the walls

FMT-security containers were specifically constructed for flush-mounting in the masonry. The flush mounting in a concealed location offers ideal protection against break-in attempts. Additional measures at the locks support the protection even more. Furthermore, covers give an overall high-class appearance.

Installation

The security containers are to be mounted in the wall slanting slightly towards the front. Weatherproof locations should be preferred for outdoor areas. When installing with a core drill, the container is inserted in the hole with 2-component adhesive or quick-dry cement, making sure it is flush to the facade.

Product advantages:

- solid stainless steel con-

struction for common profile half cylinder or integrated lock

- covers to optimise the installation
- independent, very safe profile half cylinder with drilling protection
- insensitive against frost, dirt and humidity
- special custom made solutions possible

Security container with integrated lock



Security container with profile half cylinder



Security container covers



Profile half cylinder



Locking systems
 Active solutions,
proLock, proLock Secure,
proLock Tutor, proLock Arx

The Key

proLock uses the worldwide available iButton as a key. Besides the worldwide unique identifier, the as proKey designated systemkeys are additionally coded on the proLock system. Therefore, unauthorized access or copying are practically impossible. The keys are very robust (waterproof, chemicalresistant, crushresistant and much, much more)

proLock

proLock is a standalone solution and being used when the security requirements requested are set not too high. The proLock will be provided with 230V and will directly control an electric door opener or motor lock for inside doors. The easy programming takes place with the "proKey Master". For the configuration and management of the system, the software proTego under www.rutenbeck.de is available free of charge. Up to 255 different proKey can be programmed at one proLock. Since the TAE center plate is available from all well known switch manufacturer, the proLock can be integrated in almost all design switch programmes.

proLock Secure

For applications with high security requirements, the contactand evaluation units are installed at separate locations. This will guarantee, that manipulations at the contact unit can not lead to access to the switching contacts of the evaluation unit and the door will still be protected. Performance features and programming are identical with proLock. The contact unit is also available for outside use (IP44).

proLock IP / proLock Secure IP

A central server manages the keyand access administration for the IP-based solutions. The software is available for Windows operating systems (Windows 7.0 /Windows Server 2012, or newer)

proLock Tutor / Arx

The advantages of the proLock system can also be used in combination with the magnetically locked protection fittings and key safes. If a special key is being used, even the key safe proKey Arx is independent of a local power supply.

Product advantages:

- application specific solutions
- complete solution (proLock)
- separate contact/evaluation unit (proLock Secure)
- 255 keys programmable (proKey)
- easy programming via proKey Master
- configuration- and server- software free of charge
- power supply 230V
- potential-free change-over contact: 1A/24V
- design compatible with design programs of well-known switch manufacturer (TAE center plate)
- fits in commercial flush-mount installation boxes
- Special solution:
 - proLock Tutor as protection fittings for profile halfcylinder
 - proLock Arx as key safe, independant of power

proLock / proLock Secure

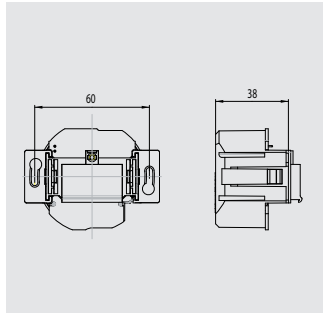


proLock Tutor



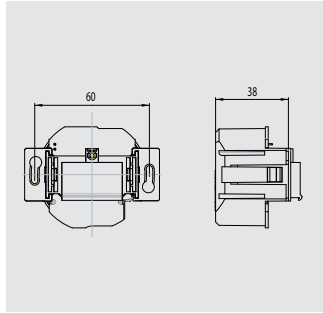
proLock Arx



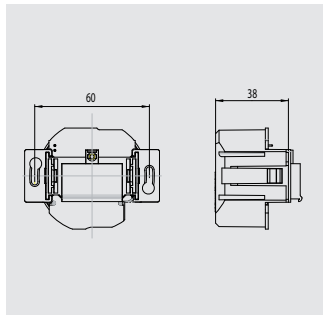


proLock Up rw
660 112 03 ●
proLock contact unit and evaluation unit, complete, for flush mounting, for customary TAE-center plates, 255 proKey programmable via proKey Master, nominal operating voltage: 100-240V / 50-60Hz, 3VA typical, switching capacity 24V/1A (changeover contact, potentialfree), pure white (similar RAL 9010) 80 x 80 x 50 mm, 100 g

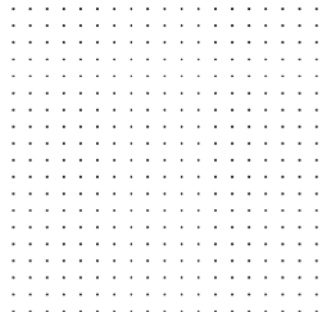
proLock
proLock Secure



proLock Secure KS Up rw
660 112 04 ●
proLock contact unit, for flush mounting, only in connection with proLock Secure AE or proLock IP Secure AE, for customary TAE-center plates pure white (similar RAL 9010) 80 x 80 x 50 mm, 100 g

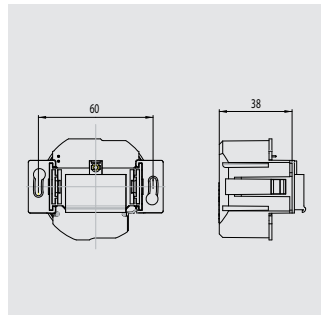


proLock Secure AE Up rw
660 112 05 ●
proLock evaluation unit, for flush mounting, for customary TAE-center plates, 255 proKey programmable via proKeyMaster, nominal operating voltage: 100-240V / 50-60Hz, 3VA typical, switching capacity 24V/1A (changeover contact, potentialfree), only in connection with proLock Secure KS, pure white (similar RAL 9010) 80 x 80 x 50 mm, 100 g



proLock Secure KS Ap
660 112 06 ●
proLock contact unit, for surface mounting, IP44, only in connection with proLock Secure AE or proLock IP Secure AE, aluminium, brushed 80 x 80 x 6 mm, 116 g

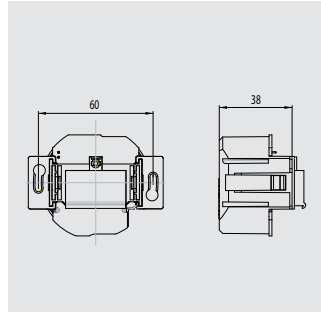
proLock IP
proLock IP Secure



proLock IP Up rw*

660 114 10 ●

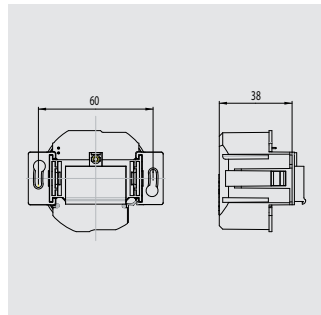
proLock contact unit and evaluation unit, complete, for flush mounting, for customary TAE-center plates, 255 proKey programmable via proKey Master, nominal operating voltage: 100-240V / 50-60Hz, 3VA typical, switching capacity 24V/1A (changeover contact, potentialfree), pure white (similar RAL 9010) 80 x 80 x 50 mm, 100 g



proLock IP POF Up rw 2,2 mm*

660 118 10 ●

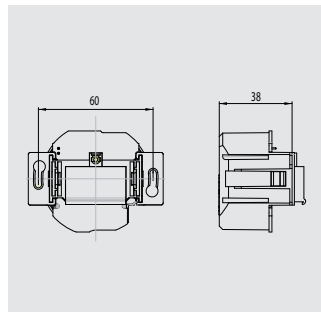
proLock IP contact unit and evaluation unit, complete, for flush mounting, for customary TAE-center plates, POF-network connection (2,2mm), nominal operating voltage: 100-240V / 50-60Hz, 3VA typical, switching capacity 24V/1A (changeover contact, potentialfree), pure white (similar RAL 9010) 80 x 80 x 50 mm, 100 g



proLock IP Secure AE Up rw*

660 114 11 ●

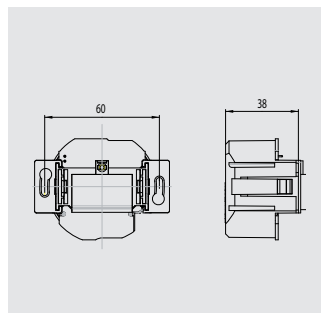
proLock IP evaluation unit, complete, for flush mounting, for customary TAE-center plates, network connection with screw terminals, nominal operating voltage: 100-240V / 50-60Hz, 3VA typical, switching capacity 24V/1A (changeover contact, potentialfree), pure white (similar RAL 9010) 80 x 80 x 50 mm, 100 g



proLock IP Secure POF Up rw 2,2 mm*

660 118 11 ●

proLock IP evaluation unit, complete, for flush mounting, for customary TAE-center plates, POF-network connection (2,2mm), nominal operating voltage: 100-240V / 50-60Hz, 3VA typical, switching capacity 24V/1A (changeover contact, potential-free), pure white (similar RAL 9010) 80 x 80 x 50 mm, 100 g



proLock Secure KS Up rw

660 112 04 ●

proLock contact unit, for flush mounting, only in connection with proLock Secure AE or proLock IP Secure AE, for flush mounting, for customary TAE-center plates, pure white (similar RAL 9010) 80 x 80 x 50 mm, 100 g



proKey Master
660 003 10 ●
 Masterkey (iButton) with system-coding, for the transmission of programming for up to 255 proKey in proLock, proLock Secure and proLock Tutor SB (each proLock AE/Tutor x necessary)
 red (similar RAL 4004)
 53 x 20 x 14 mm, 7 g

proLock
 Accessory



proKey
660 003 20 ●
 Userkey (iButton) with system-coding, as authorisation key for proLock, proLock IP, proLock Secure, proLock IP Secure and proLock Tutor SB (max. 255 keys programmable), black (similar RAL 9005)
 53 x 20 x 14 mm, 7 g

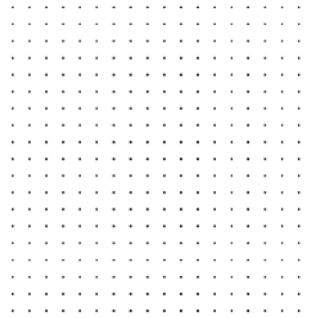


proLock PC LG
660 003 30 ●
 PC-programming device for proKey and proKey Master, USB-connection cable, can only be used with the programming software proTego*
 40 x 20 x 50 mm, 80 g

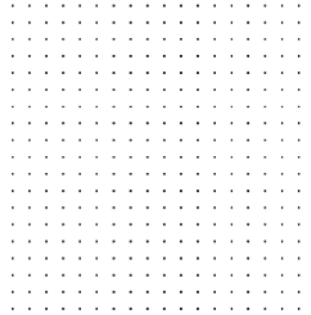


proLock V24 USB
660 003 60 ●
 Programming cable for proLock Up rw, proLock Secure AE Up rw and proLock Arx, USB/V24-connection cable
 80 x 20 x 12 mm, 30 g

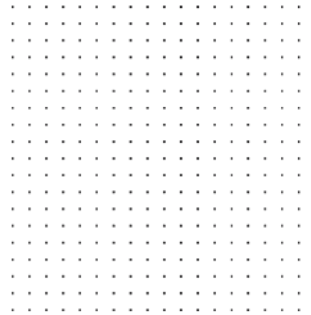
proLock Arx
accessory



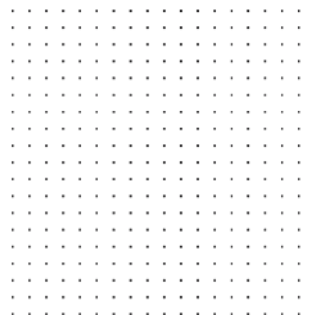
proLock Arx**
660 200 20 ●
proLock key safe, for surface
mounting, vandalproof, without
power supply, via system key
proKey Arx,
stainless steel
170 x 60 x 30 mm, 1500 g



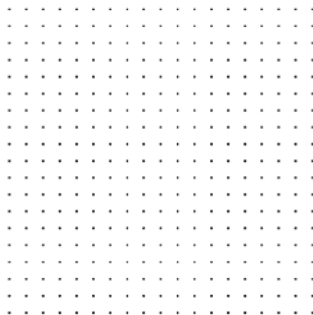
proLock Arx MP
660 200 30 ●
Mounting plate, for the
attachment of the proLock Arx
on a levelled wall
stainless steel
78 x 184 x 12 mm, 630 g



proKey Arx**
660 003 40 ●
Userkey (iButton), authorisation
key and power supply for proLock
Arx, power supply with battery
(max. 255 keys programmable),
stainless steel
40 mm Ø, 40 g

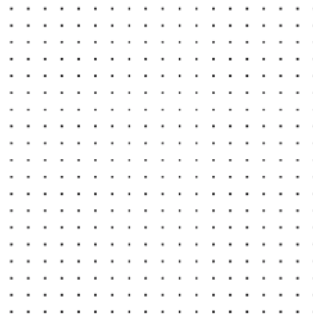
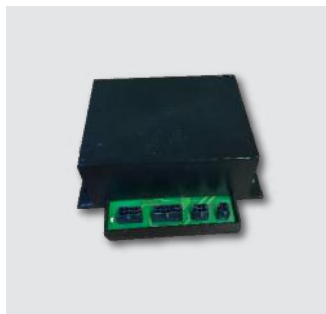


proLock Arx PC LG**
660 003 50 ●
PC-Programming device for
proKey Arx, USB-connection cable,
can only be used with the
programming software proTego*
40 x 20 x 50 mm, 80 g

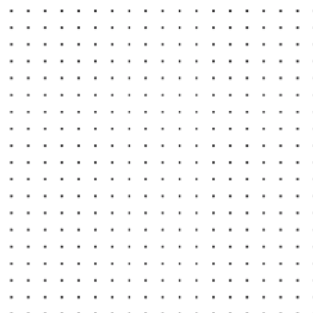


proLock Tutor SB
660 200 10 ●
 magnetically locked protective fitting for conventional profile half-cylinder, for surface mounting, (bolting from behind (M10)), vandal-proof, only in connection with proLock Secure AE or proLock AE Ap and external 12V DC (1A) power supply, stainless steel
 180 x 90 x 35 mm, 1500 g

proLock Tutor SB
 accessory

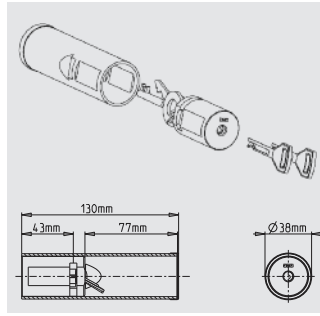


proLock Tutor AE Ap
660 116 06 ●
 proLock evaluation unit, for surface mounting, 255 proKey programmable via proKey Master, nominal operating voltage: 12V / 10 mA standby current / 800 mA during opening, switching capacity 24V/1A (changeover contact, potentialfree) emergency charging with proLock Tutor NLG, only in connection with proLock Tutor SB, black (similar RAL 9005)
 131 x 44 x 114 mm, 210 g

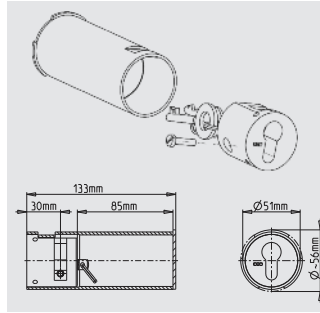


proLock Tutor NLG
660 200 40 ●
 Emergency charging device for proLock Tutor SB, for up to 10 emergency unlockings, charging via Micro-USB-connection, black (similar RAL 9005)
 85 x 50 x 25 mm, 80 g

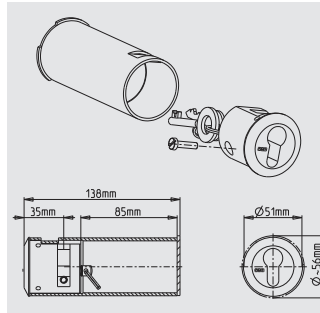
Tube safes:
Security container, accessory,
Wall mounting (flush and surface)



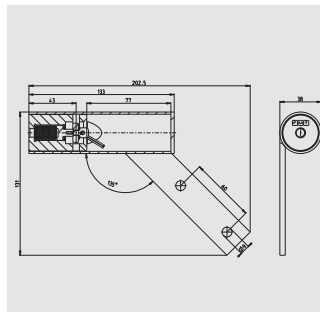
ST 38 Up
603 50 41 ●
Security container
for flush mounting,
length 130 mm,
with 2 keys
stainless steel,
38 mm Ø , 560 g



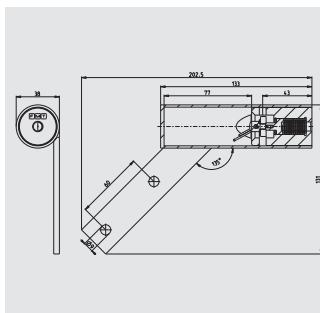
ST 56 PHZ Up
603 28 86 ●
Security container
for flush mounting,
length 133 mm,
straight closure,
for PHZ 10/30, stainless steel,
56 mm Ø , 860 g



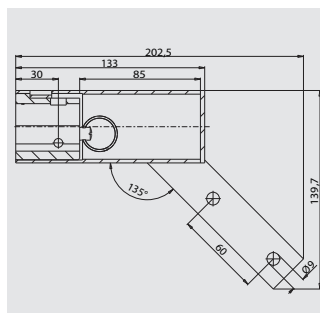
ST 56 W PHZ Up
603 98 94 ●
Security container
for flush mounting,
length 138 mm,
curved closure,
for PHZ 10/30, stainless steel,
56 mm Ø , 900 g



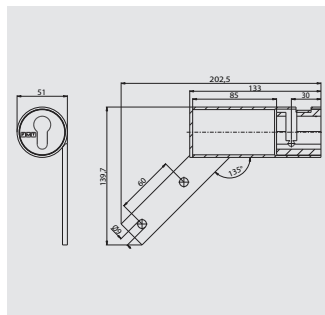
STL 38 Ap
606 27 25 ●
Security container
for surface mounting left,
length 130 mm,
with 2 keys,
stainless steel,
38 mm Ø , 560 g



STR 38 Ap
606 27 24 ●
Security container
for surface mounting right,
length 130 mm,
with 2 keys,
stainless steel,
38 mm Ø , 560 g

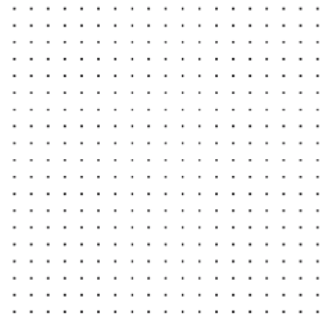


STL 56 PHZ Ap
606 27 23 ●
Security container
for surface mounting left,
length 130 mm,
for PHZ 10/30, stainless steel,
56 mm Ø , 860 g

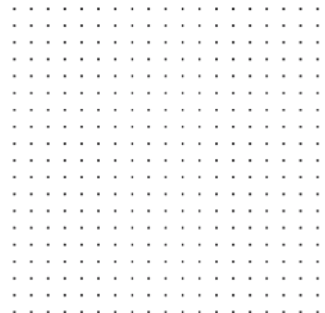


STR 56 PHZ Ap
606 27 22 ●
Security container
for surface mounting right,
length 130 mm,
for PHZ 10/30, stainless steel,
56 mm Ø , 860 g

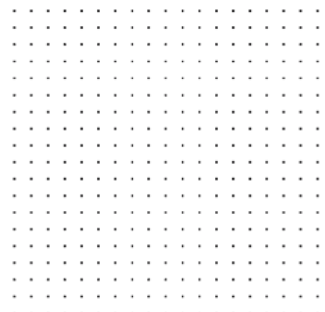
Tube safes:
Security container, accessory,
Wall mounting (flush and surface)



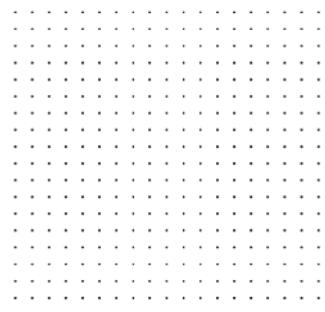
BST 38
606 61 32 ●
security container cover,
for security container ST 38,
stainless steel,
38 mm Ø , 20 g



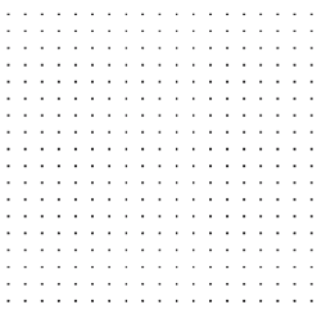
BSTS 38
606 69 33 ●
security container cover,
for security container ST 38,
with dust cover,
stainless steel,
38 mm Ø , 40 g



BST 56
606 61 40 ●
security container cover,
for security container ST 56,
stainless steel,
56 mm Ø , 21 g

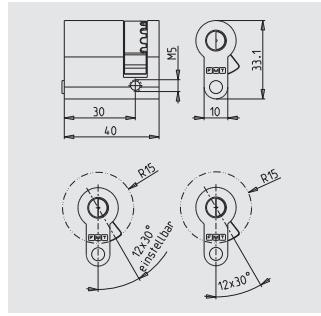


BSTS 56
606 69 40 ●
security container cover,
for security container ST 56,
with dust cover,
stainless steel,
56 mm Ø , 40 g

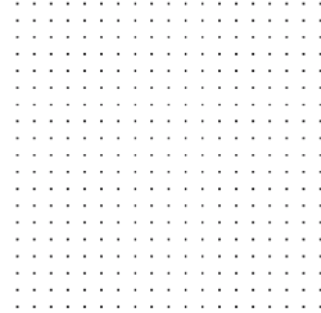


Key ring
604 03 62 ●
for fastening of keys in security
containers ST 38 and ST 56,
with mounting accessory,
11 g

Tube safes:
Security container, accessory



PHZ 10/30
606 86 21 ●
Profile half cylinder,
10/30 mm,
12-way adjustable locking nose,
with 2 keys,
145 g



Schlüssel (key)*
602 34 71 ●
Customer specific spare- and extra
keys for key- and card safes,
16 g

* Contact the customer service from
Rutenbeck for customer specific
lockings

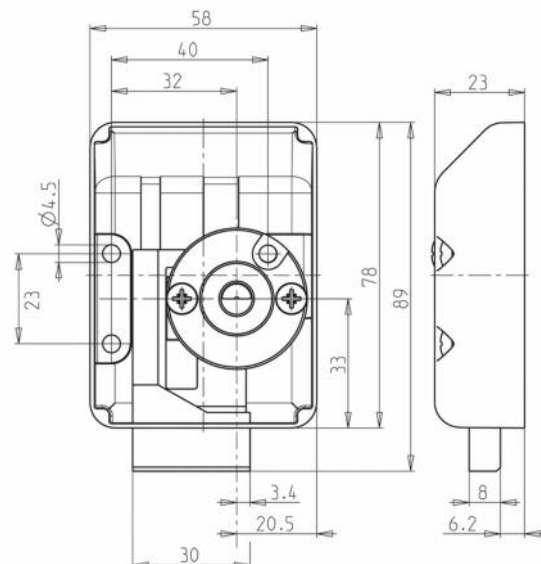
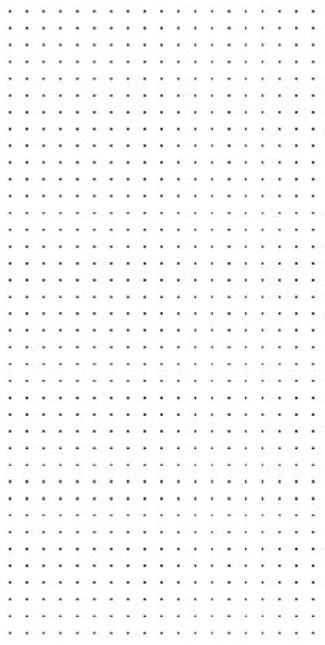
Rim lock

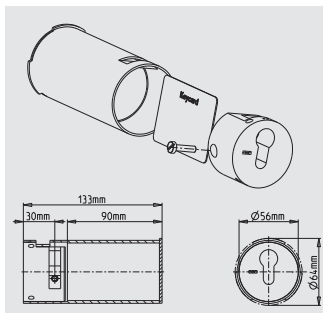
Secure, in the cabinet

The advantage of the special
locks with disc-type tumbler is
that they can not only be used for
the security container but can also
be used as rim locks as well.
These locks are also called cased
locks and are used i.e. p.o.-boxes
and safety deposit boxes.
The installation takes place in the
protected area, behind the door.



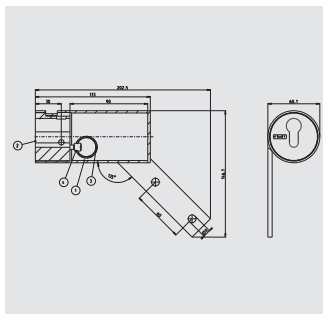
Fachschloss (rim lock)
606 49 12 ●
with 2 keys,
89 x 58 x 23 mm, 250 g



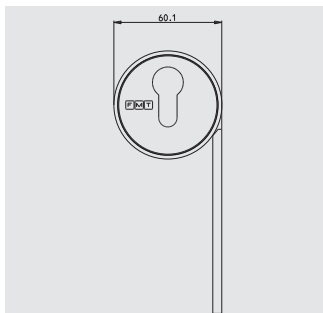


KT 64 PHZ Up
606 54 93 ●
Card safe,
for flush-mounting,
length 130 mm
for PHZ 10/30, stainless steel,
64 mm Ø, 1200 g

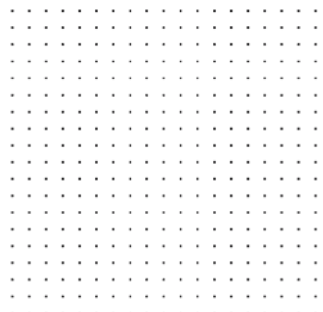
Tube safes:
Card safe, accessory,
Wall mounting (flush and surface)



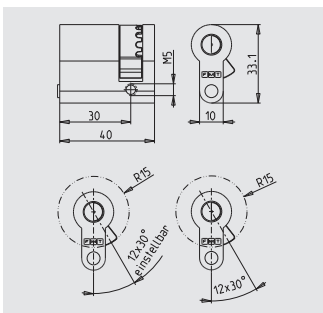
KTL 64 PHZ Ap
606 27 21 ●
Card safe,
for surface mounting left,
length 130 mm, for PHZ 10/30,
stainless steel,
64 mm Ø, 1200 g



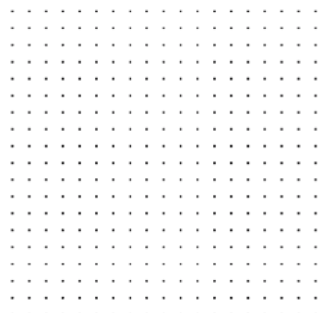
KTR 64 PHZ Ap
606 27 20 ●
Card safe,
for surface mounting right,
length 130 mm, for PHZ 10/30,
stainless steel,
64 mm Ø, 1200 g



BKT 64
606 61 41 ●
Cover
for card safe KT 64,
stainless steel,
64 mm Ø, 20 g



PHZ 10/30
606 86 21 ●
Profile half cylinder,
10/30 mm,
12-way adjustable locking nose
with 2 keys,
145 g



Schlüssell (key)*
602 34 71 ●
Customer specific spare- and
extra keys for key- and card safes,
16 g

* Contact the customer service
from Ruttenbeck for customer
specific lockings.

article-no.	description	page	article-no.	description	page
100 100 01	AP	19, 30, 47, 73, 83, 111, 117	132 112 010	UAE-ClassEA iso-8 U Up mK rw	42
100 100 51	AP rw	19, 30, 47, 73, 83, 111, 117	132 112 050	UAE-ClassEA iso-8/8 U Up mK rw	42
100 100 55	AP V rw	30	132 115 010	UAE-ClassEA iso-8 U Ap rw	42
100 100 56	ApG-I g**	31	132 115 030	UAE-ClassEA iso-8/8 U Ap rw	42
100 100 57	UpG-I g**	31	133 101 01	IAE/UAE 8 (6)-TAE 6 F+N Ap	108
100 100 58	UpG-I rw**	31	133 102 01	IAE/UAE 8 (6)-TAE 6 F+N Up	108
100 100 59	ApG-KVS	31	133 103 01	IAE/UAE 8 (6)-TAE 6 F+N Up 50	108
100 100 60	UpG-DR g	31	133 104 01	IAE/UAE 8 (6)-TAE 6 F+N Up 0	108
100 100 61	UpG-DR rw	31	133 111 01	IAE/UAE 8 (6)-TAE 6 F+N Ap rw	108
100 100 62	UpG-UpEd	31	133 112 01	IAE/UAE 8 (6)-TAE 6 F+N Up rw	108
102 101 03	TAE 3x6 NFN Ap	115	133 113 01	IAE/UAE 8 (6)-TAE 6 F+N Up 50 rw	108
102 101 09	TAE 3x6 NFN Ap rw	115	133 114 01	IAE/UAE 8 (6)-TAE 6 F+N Up 0 rw	108
102 102 03	TAE 3x6 NFN Up	115	134 104 01	UAE-Cat.6A iso-8 U Up 0 mK	42
102 102 04	TAE 3x6 NFN Up rw	115	134 104 05	UAE-Cat.6A iso-8/8 U Up 0 mK	42
102 103 03	TAE 3x6 NFN Up 50	115	134 112 01	UAE-Cat.6A iso-8 U Up mK rw	42
102 103 05	TAE 3x6 NFN Up 50 rw	115	134 112 05	UAE-Cat.6A iso-8/8 U Up mK rw	42
102 105 03	TAE 3x6 NFN Up 0	115	134 115 01	UAE-Cat.6A iso-8 U Ap rw	42
102 105 17	TAE 3x6 NFN Up 0 rw	115	134 115 03	UAE-Cat.6A iso-8/8 U Ap rw	42
103 101 10	TAE 2x6/6 NFF Ap	116	135 100 02	ZSt UAE-Cat. 8	30
103 101 14	TAE 2x6/6 NFF Ap rw	116	135 100 03	ZSt UAE-Cat. 8/8	30
103 102 10	TAE 2x6/6 NFF Up	116	135 100 52	ZSt UAE-Cat. 8 rw	30
103 102 22	TAE 2x6/6 NFF Up rw	116	135 100 53	ZSt UAE-Cat. 8/8 rw	30
103 103 10	TAE 2x6/6 NFF Up 50	116	135 105 03	UAE-Cat. ApG	30
103 103 13	TAE 2x6/6 NFF Up 50 rw	116	135 105 05	UAE-Cat. BS	32
103 105 10	TAE 2x6/6 NFF Up 0	116	135 106 03	T-ADAP Ethernet/Ethernet	113
103 105 18	TAE 2x6/6 NFF Up 0 rw	116	135 106 04	T-ADAP Ethernet/ISDN	113
130 101 05	IAE/UAE 8 (4) Ap	105	135 106 05	T-ADAP ISDN/ISDN	113
130 101 06	UAE 8 (8) Ap	108	135 106 06	T-ADAP 2 x 8	113
130 101 07	IAE/UAE 2x8 (4) Ap	105	135 115 03	UAE-Cat. ApG rw	30
130 101 08	UAE 2x8 (8) Ap	109	136 102 030	UAE-Cat.6A iso-8 Up	27, 28
130 101 09	IAE/UAE 8/8 (4/4) Ap	107	136 102 070	UAE-Cat.6A iso-8/8 Up	27, 28
130 101 10	UAE 8/8 (8/8) Ap	110	136 104 030	UAE-Cat.6A iso-8 Up 0	27, 28
130 101 12	UAE 8/8 (8/8) LSA Ap	110	136 104 070	UAE-Cat.6A iso-8/8 Up 0	27, 28
130 101 29	UAE 8 (8) Ap rw	108	136 112 030	UAE-Cat.6A iso-8 Up rw	27, 28
130 101 30	UAE 2x8 (8) Ap rw	109	136 112 070	UAE-Cat.6A iso-8/8 Up rw	27, 28
130 101 31	UAE 8/8 (8/8) Ap rw	110	137 003 00	UM-Cat.6A iso U A	46, 47
130 101 40	IAE/UAE 2x8 (4) TRS Ap	106	138 102 030	UAE-ClassEA iso-8 Up	27, 29
130 102 09	IAE/UAE 8 (4) Up	105	138 102 070	UAE-ClassEA iso-8/8 Up	27, 29
130 102 10	UAE 8 (8) Up	108	138 104 030	UAE-ClassEA iso-8 Up 0	27, 29
130 102 11	IAE/UAE 2x8 (4) Up	105	138 104 070	UAE-ClassEA iso-8/8 Up 0	27, 29
130 102 12	UAE 2x8 (8) Up	109	138 112 030	UAE-ClassEA iso-8 Up rw	27, 29
130 102 13	IAE/UAE 8/8 (4/4) Up	107	138 112 070	UAE-ClassEA iso-8/8 Up rw	27, 29
130 102 14	UAE 8/8 (8/8) Up	110	139 000 01	UM-MA 2 Up	12, 15, 46
130 102 16	UAE 8/8 (8/8) LSA Up	110	139 000 02	UM-MA 3 Up	12, 15, 46
130 102 40	IAE/UAE 2x8 (4) TRS Up	106	139 000 03	UM-MA REG	12, 15, 46
130 102 45	UAE 8 (8) Up rw	108	139 000 04	UM-UMA 2 Up	12, 15, 46
130 102 46	UAE 2x8 (8) Up rw	109	139 003 04	UM-Cat.6A iso A	12, 13, 14
130 102 47	UAE 8/8 (8/8) Up rw	110	139 003 05	UMflex-Cat.6A iso A*	12, 13, 14
130 103 05	IAE/UAE 8 (4) Up 50	105	139 003 20	US-Cat.6A iso B	36
130 103 06	UAE 8 (8) Up 50	109	139 003 30	UV-Class FA	37
130 103 07	IAE/UAE 2x8 (4) Up 50	106	139 003 60	Cat.6-coupling	12, 14, 80
130 103 08	UAE 2x8 (8) Up 50	109	139 003 70	Cat.6-Angular coupling	12, 14, 80
130 103 09	IAE/UAE 8/8 (4/4) Up 50	107	139 100 02	ZSt UM-MA 3	19, 47
130 103 10	UAE 8/8 (8/8) Up 50	110	139 100 03	ZSt UM-MA 2	19, 47, 73, 83, 117
130 103 36	IAE/UAE 8 (4) Up 50 rw	105	139 100 52	ZSt UM-MA 3 rw	19, 47
130 103 37	UAE 2x8 (8) Up 50 rw	109	139 100 53	ZSt UM-MA 2 rw	19, 47, 73, 83, 117
130 103 38	UAE 8 (8) Up 50 rw	109	139 102 040	UM-Cat.6A iso-UMD 2 Up	13, 16
130 103 39	IAE/UAE 2x8 (4) Up 50 rw	106	139 102 070	UM-Cat.6A iso -MD 2 Up	13, 16
130 103 40	IAE/UAE 8/8 (4/4) Up 50 rw	107	139 102 100	UM-Cat.6A iso-MD 3 Up	13, 16
130 103 41	UAE 8/8 (8/8) Up 50 rw	110	139 104 040	UM-Cat.6A iso-UMD 2 Up 0	13, 17
130 104 04	IAE/UAE 8 (4) Up 0	105	139 104 070	UM-Cat.6A iso-MD 2 Up 0	13, 17
130 104 07	UAE 8 (8) Up 0	109	139 104 100	UM-Cat.6A iso-MD 3 Up 0	13, 17
130 104 11	IAE/UAE 2x8 (4) Up 0	106			
130 104 16	IAE/UAE 8/8 (4/4) Up 0	107			
130 104 21	UAE 2x8 (8) Up 0	109			
130 104 22	UAE 8/8 (8/8) Up 0	110			
130 104 40	IAE/UAE 2x8 (4) TRS Up 0	106			
130 111 12	UAE 8/8 (8/8) LSA Ap rw	110			
130 111 40	IAE/UAE 2x8 (4) TRS Ap rw	106			
130 112 16	UAE 8/8 (8/8) LSA Up rw	110			
130 112 40	IAE/UAE 2x8 (4) TRS Up rw	106			
132 104 010	UAE-ClassEA iso-8 U Up 0 mK	42			
132 104 050	UAE-ClassEA iso-8/8 U Up 0 mK	42			

article-no.	description	page	article-no.	description	page
139 111 020	UMflex-Cat.6A iso Ap 2 rw*	13, 18	170 106 53	KMK-HDMI rw	80, 81
139 111 030	UMflex-Cat.6A iso Ap 3 rw*	13, 18	170 106 60	KMK-USB 3.0 sw	80, 81
139 112 040	UM-Cat.6A iso-UMD 2 Up rw	13, 16	170 106 61	KMK-USB sw	80, 81
139 112 070	UM-Cat.6A iso-MD 2 Up rw	13, 16	170 106 62	KMK-HDMI KP sw	80, 81
139 112 100	UM-Cat.6A iso-MD 3 Up rw	13, 16	170 106 63	KMK-HDMI sw	80, 81
139 115 01	UMflex-ApG rw	12, 18, 46, 80	172 000 01	SC/LC-MA Up	73, 78
154 006 02	ADAP UAE/TAE 3x6 NFN	60, 118	172 000 02	SC Duplex-MA Up	73, 79
160 101 19	AMS 1/2 NFF Up	119	172 000 03	ST-MA Up	73, 78
161 101 19	AMS 1/2 NFF Ap	119	172 000 51	SC/LC-MA Up rw	73, 78
162 101 01	WK 955 Ap	120	172 000 52	SC Duplex-MA Up rw	73, 79
162 102 01	WK 955 Up	120	172 000 53	ST-MA Up rw	73, 79
170 000 01	BNC-F-MA Up	72, 76	172 000 61	SC/LC-MA Up g	73, 78
170 000 02	MK-MA Up	72, 77	172 000 62	SC Duplex-MA Up g	73, 79
170 000 03	BNC-C/IEC/Cinch-MA Up	72, 76	172 000 63	ST-MA Up g	73, 79
170 000 04	LS-MA Up	72, 77	172 003 00	KM-SC-M	73, 78
170 000 51	BNC-F-MA Up rw	72, 76	172 003 01	KM-SC-M Duplex	73, 79
170 000 52	MK-MA Up rw	72, 77	172 003 02	KM-ST-M	73, 79
170 000 53	BNC-C/IEC/Cinch-MA Up rw	72, 76	172 003 03	KM-SC-S	73, 78
170 000 54	LS-MA Up rw	72, 77	172 003 04	KM-SC-S Duplex	73, 79
170 000 55	KMK-MA Up rw	67, 81	172 003 05	KM-ST-S	73, 79
170 000 61	BNC-F-MA Up g	72, 76	172 003 06	KM-LC-M	73, 78
170 000 62	MK-MA Up g	72, 77	172 003 07	KM-LC-S	73, 78
170 000 63	BNC-C/IEC/Cinch-MA Up g	72, 76	172 006 02	KMK-ST-M rw	80, 82
170 000 64	LS-MA Up g	72, 77	172 006 05	KMK-ST-S rw	80, 82
170 000 65	KMK-MA Up sw	67, 80, 81	172 006 06	KMK-LC-M rw	80, 83
170 003 00	KM-BNC-F	72, 76	172 006 07	KMK-LC-S rw	80, 83
170 003 01	KM-BNC-C	72, 76	172 006 62	KMK-ST-M sw	80, 82
170 003 02	KM-BNC-IEC	72, 76	172 006 65	KMK-ST-S sw	80, 82
170 003 03	KM-MK 3,5 mm	72, 77	172 006 66	KMK-LC-M sw	80, 83
170 003 04	KM-Cinch rw	72, 77	172 006 67	KMK-LC-S sw	80, 83
170 003 05	KM-Cinch sw	72, 77	176 102 01	VGA-S C	90
170 003 06	KM-Cinch rot	72, 77	176 102 02	VGA-B C	90
170 003 07	KM-Cinch gelb	72, 77	176 102 03	EKM VGA-S 0,3 m	91
170 003 08	KM-LS sw	72, 78	176 102 04	EKM VGA-B 0,3 m	91
170 003 09	KM-LS rot	72, 78	176 102 05	EKM HDMI-S 0,3 m	87
170 006 00	KMK-BNC-F rw	80, 82	176 102 06	EKM HDMI-B 0,3 m	87
170 006 01	KMK-BNC-C rw	80, 82	176 102 07	EZH	87, 91
170 006 04	KMK-Cinch rw rw	80, 82	180 000 04	POF K 100 2,2 mm**	67
170 006 05	KMK-Cinch sw rw	80, 82	180 006 00	KMK-POF	67, 83
170 006 06	KMK-Cinch rot rw	80, 82	180 101 03	POF/UAE 4xAp 2,2 mm	66
170 006 07	KMK-Cinch gelb rw	80, 82	180 101 04	POF 5xAp 2,2 mm	66
170 006 08	KMK-LS sw rw	80, 82	180 101 05	POF/UAE/SFP 8xAp 2,2 mm	67
170 006 09	KMK-LS rot rw	80, 82	180 104 070	POF/UAE 2xUp rw 2,2 mm	66
170 006 60	KMK-BNC-F sw	80, 82	180 105 070 NEW!	POF GB/UAE 2xUp rw 2,2 mmm	66
170 006 61	KMK-BNC-C sw	80, 82	193 105 01	KA 9 Up 0	117
170 006 64	KMK-Cinch rw sw	80, 82	193 105 10	KD Up 0	75, 117
170 006 65	KMK-Cinch sw sw	80, 82	212 070 00	NWK-S/FTP Cat.7 AWG 23	22, 34
170 006 66	KMK-Cinch rot sw	80, 82	215 000 00	PK Cat.6A iso 10,0 m grau	23, 35
170 006 67	KMK-Cinch gelb sw	80, 82	215 000 05	PK Cat.6A iso 0,5 m grau	23, 35
170 006 68	KMK-LS sw sw	80, 82	215 000 10	PK Cat.6A iso 1,0 m grau	23, 35
170 006 69	KMK-LS rot sw	80, 82	215 000 20	PK Cat.6A iso 2,0 m grau	23, 35
170 100 52	KMK-BK rw	83	215 000 30	PK Cat.6A iso 3,0 m grau	23, 35
170 100 62	KMK-BK sw	83	215 000 50	PK Cat.6A iso 5,0 m grau	23, 35
170 105 01	KM-USB Up 0	72, 74	216 000 00	PKV Cat.6A iso 10,0 m grau	23, 35
170 105 02	KM-VGA Up 0	72, 74	216 000 10	PKV Cat.6A iso 1,0 m grau	23, 35
170 105 03	KM-HDMI Up 0	72, 75	216 000 20	PKV Cat.6A iso 2,0 m grau	23, 35
170 105 04	KM-USB 3.0 Up 0	72, 74	216 000 30	PKV Cat.6A iso 3,0 m grau	23, 35
170 105 05	KM-VGA KP Up 0	72, 74	216 000 50	PKV Cat.6A iso 5,0 m grau	23, 35
170 105 51	KM-USB Up 0 rw	72, 74	217 100 050	VK VGA 5 m	89
170 105 52	KM-VGA Up 0 rw	72, 74	217 100 100	VK VGA 10 m	89
170 105 53	KM-HDMI Up 0 rw	72, 75	217 100 150	VK VGA 15 m	89
170 105 54	KM-USB 3.0 Up 0 rw	72, 74	217 100 200	VK VGA 20 m	89
170 105 55	KM-VGA KP Up 0 rw	72, 74	217 200 00	K VGA 100 m	90
170 105 61	KM-USB Up 0 g	72, 74	217 200 01	K VGA-S	89
170 105 62	KM-VGA Up 0 g	72, 74	217 200 02	K VGA-B	89
170 105 63	KM-HDMI Up 0 g	72, 75	217 200 03	K VGA 1 m	90
170 105 64	KM-USB 3.0 Up 0 g	72, 74			
170 105 65	KM-VGA KP Up 0 g	72, 74			
170 106 50	KMK-USB 3.0 rw	80, 81			
170 106 51	KMK-USB rw	80, 81			
170 106 52	KMK-HDMI KP rw	80, 81			

article-no.	description	page	article-no.	description	page
217 300 05	EK VGA 5 m	89	235 105 03 NEW!	SR 5TX GB	59
217 300 10	EK VGA 10 m	89	235 105 04 NEW!	SR 10TX GB PoE	59
217 300 15	EK VGA 15 m	89	235 105 05 NEW!	SR 10TX GB	59
217 300 20	EK VGA 20 m	89			
217 500 01	K VGA-CC	90	236 101 06	PP-Cat.6A iso-6 Ap	27, 32
217 600 05	AK ES VGA 4,7 m	91	236 101 100	PP-Cat.6A iso-24/1	27, 33
217 600 10	AK ES VGA 9,7 m	91	236 101 12	PP-Cat.6A iso-12 Ap	27, 32
217 600 15	AK ES VGA 14,7 m	91	238 101 06	PP-ClassEA iso-6 Ap	27, 32
217 600 20	AK ES VGA 19,7 m	91	238 101 100	PP-ClassEA iso-24/1	27, 33
218 000 050	AK HDMI 5 m	87	238 101 12	PP-ClassEA iso-12 Ap	27, 32
218 000 100	AK HDMI 10 m	86	238 102 00	PPR 6	59
218 000 150	AK HDMI 15 m	86	239 000 00	PP-UM A-24/1	12, 20, 46, 80
218 000 200	AK HDMI 20 m	86	239 100 01	PP-BK	22
218 100 02	AKE HDMI 2 m	87	239 101 000	PP-UM-Cat.6A iso-24/24/1	13, 20
218 100 03	AKE HDMI 3 m	87	239 101 06	PP-UM A-6 Ap	12, 20, 46, 80
218 100 05	AKE HDMI 5 m	87	239 101 12	CP-UM A-12 Ap	12, 20, 46, 80
218 200 00	K HDMI 100 m	86	239 101 16	PP-UM A-12 Ap	12, 20, 46, 80
218 200 01	K HDMI	86	239 101 18	MM Ap	12, 21, 80
218 200 02	K HDMI 1 m	86	240 001 01	UG 2 w	122
218 300 05	EK HDMI 5 m	86	245 101 02	VVD 85 Ap	121
218 300 10	EK HDMI 10 m	86	260 00 40	AsLe B 20 LSA	124, 125
218 300 15	EK HDMI 15 m	86	260 00 60	AsLe A 10 LSA	125
218 300 20	EK HDMI 20 m	86	260 000	AsLe B 20 S/S	124, 127
218 400 05	AK ES HDMI 4,7 m	87	260 001	AsLe B 20 S/L	127
218 400 10	AK ES HDMI 9,7 m	87	260 02 60	VE 10 LSA Tr	126
218 400 15	AK ES HDMI 14,7 m	87	260 02 70	VE 10 LSA	126
218 400 20	AK ES HDMI 19,7 m	87	260 033	AsLe A 10 S/S	127
218 500 01	K HDMI-CC	86	260 09 00	VE 10 LSA E	126
220 001 01	UG 3 w	122	260 101 02	VK 85 Sch	124
221 004	MB 4	122, 126	270 101 01	VKP 85/2 Ap	124
221 006	MB 10	122, 126	270 101 10	VKP 85/4 Ap	124
221 007	MB 5	122, 126	270 101 20	VKP 85/8 Ap	124
221 012	DIN-rail adapter	127	270 101 30	VKP 85/12 Ap	124
225 100 01	line21®-PPR 6	63	270 103 10	KVK	123
225 100 10	line21®-ADAP TAE/UAE	63	270 103 13	KVK MB	123
225 112 01	line21®-UAE 8/8 Up rw	63	280 102 00	POF/UAE 1xPPR 2,2 mm	66
225 112 02	line21®-UAE/TAE Up rw	63	280 105 00 NEW!	POF GB/UAE 1xPPR 2,2 mm	66
226 104 030	AC WLAN UAE Up rw	52	280 105 01 NEW!	SR 1TX/4POF	66
226 104 050	AC WLAN POF/UAE 1xUp rw 2,2 mm	52, 66	290 32 20	Test cord AsLe LSA	125
226 104 06	AC WLAN UAE PoE Up rw	52	291 37 00	BST B LSA	125
226 104 07	AC WLAN UAE/USB Up rw	53	291 56 10	BST VE 10	126
226 104 08	ACR WLAN 3xUAE/USB	53	294 400 00	TrS LSA	126
226 104 09	AC WLAN UAE/USB PoE Up rw	53	392 000 00	AW 2	32, 34, 60, 111, 121, 125
226 104 10	AC WLAN Up rw	52	392 000 02	UA	19, 22
227 104 07	USB 4xUp rw	75	392 000 03	EPS	19, 22
227 104 08	SV USB 2xUp rw	75	392 000 04	POF SW	67
228 102 01 NEW!	PPR 3SC-M	61	392 000 06	POF-VB 1,5 mm	67
228 105 01 NEW!	SR 2TX/2SC-S	61	392 000 07	POF-VB 2,2 mm	67
228 105 02 NEW!	SR 2TX/2SC-M	61	392 000 08	POF-VB 1,5/2,2 mm	67
232 101 100	PP-ClassEA iso-24/1 U	42	392 000 09	CZ	90
234 101 100	PP-Cat.6A iso-24/1 U	42	392 000 10	RM	53
235 100 02	PP-SSK sw	22, 34	392 000 11	PKV S	23, 35
235 100 07	PP-SSK rw	22, 34	401 000 12	AKL 801 XS	127
235 102 01	PK 0,35 m	60	401 000 14	AKL 802 S	127
235 102 02	PK 0,23 m	60	401 000 16	AKL 803 M	127
235 103 00	PPR 6 PoE	60	401 000 18	AKL 804 L	127
235 103 01	SVR 48 V PoE**	60	401 000 20	AKL 805 XL	127
235 103 02	PP-24/1 PoE**	33	404 000 12	AKL 801 XS VA	127
235 103 03	SV-PP 48 V PoE	33	404 000 14	AKL 802 S VA	127
			500 101 02	SAR Ap	120
			601 04 16	Flexible cable protection HT	140
			602 34 71	Key)	138, 14
			602 48 01	Flexible cable protection HF	140
			602 48 17	Flexible cable protection MKF	140

article-no.	description	page
603 28 86	ST 56 PHZ Up	136
603 50 41	ST 38 Up	136
603 98 94	ST 56 W PHZ Up	136
604 03 62	Key ring	137
606 27 20	KTR 64 PHZ Ap	139
606 27 21	KTL 64 PHZ Ap	139
606 27 22	STR 56 PHZ Ap	137
606 27 23	STL 56 PHZ Ap	136
606 27 24	STR 38 Ap	136
606 27 25	STL 38 Ap	136
606 49 12	Fachschloss	138
606 54 93	KT 64 PHZ Up	139
606 61 32	BST 38	137
606 61 40	BST 56	137
606 61 41	BKT 64	139
606 69 33	BSTS 38	137
606 69 40	BSTS 56	137
606 86 21	PHZ 10/30	138, 139
660 003 10	proKey Master	133
660 003 20	proKey	133
660 003 30	proLock PC LG	133
660 003 40	proKey Arx**	134
660 003 50	proLock Arx PC LG**	134
660 003 60	proLock V24 USB	133
660 112 03	proLock Up rw	131
660 112 04	proLock Secure KS Up rw	131, 132
660 112 05	proLock Secure AE Up rw	131
660 112 06	proLock Secure KS Ap	131
660 114 10	proLock IP Up rw	132
660 114 11	proLock IP Secure AE Up rw	132
660 116 06	proLock Tutor AE Ap	135
660 118 10	proLock IP POF Up rw 2,2 mm	132
660 118 11	proLock IP Secure POF AE Up rw 2,2 mm	132
660 200 10	proLock Tutor SB	135
660 200 20	proLock Arx**	134
660 200 30	proLock Arx MP	134
660 200 40	proLock Tutor NLG	135
681 072	ISDN-Termination resistor	111
690 317	KVK Sch	123
700 101 241	TS F	118
700 101 243	TS US F	118
700 101 251	TS N	118
700 101 253	TS US N	118
700 802 201	Temperature sensor	97, 98, 100
700 802 600	TCR GSM/GPS*	94, 96
700 802 610	TCR IP 4	95, 100
700 902 601	GPS receiver NL-303P*	97
700 902 603	FME-Extension*	97
700 902 610	TC IP 1	95, 98

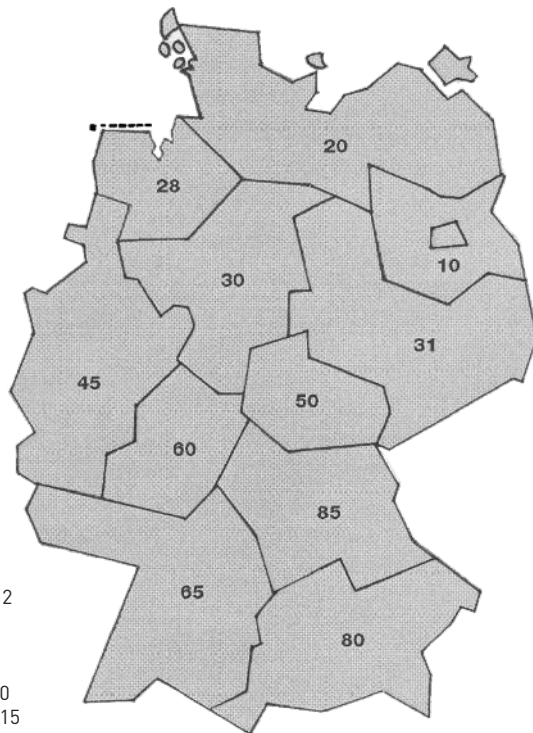
International

Wilhelm Rutenbeck GmbH & Co. KG
 Klagebach 33
 58579 Schalksmühle
 Germany

Mr. Frank Schönhoff

Phone: +49 2355 82-0
 Fax : +49 2355 82-105

mail@rutenbeck.de
 www.rutenbeck.com



10 Wilhelm Rutenbeck GmbH & Co. KG
 Klagebach 33
 58579 Schalksmühle
 Germany

Mr. Bernd Linß

Phone: +49 2355 82-0
 Fax: +49 2355 82-105

bernd.linss@rutenbeck.de
 www.rutenbeck.de

31 Detlef Sikora GmbH
 Gewerbegebiet Süd Nr. 2
 39443 Staßfurt
 Germany

Phone: +49 39266 931-0
 Fax: +49 39266 931-15

stassfurt@sikora.de
 www.sikora.de

20 Hans J. Möller
 Inh. Andreas Möller
 Elektrovertretung
 Wendenstraße 195 a
 20537 Hamburg
 Germany

Phone: +49 40 2514061
 Fax: +49 40 2514614

info@hjmoeller.de
 www.hjmoeller.de

45 Wilhelm Rutenbeck GmbH & Co. KG
 Klagebach 33
 58579 Schalksmühle
 Germany

Mrs. Özlem Aslan

Phone: +49 2355 82-138
 Fax: +49 2355 82-105

oezlem.aslan@rutenbeck.de
 www.rutenbeck.de

65 Wilhelm Rutenbeck GmbH & Co. KG
 Klagebach 33
 58579 Schalksmühle
 Germany

Mr. Kai-Ingo Lange

Phone: +49 2355 82-136
 Fax: +49 2355 82-105

kai-ingo.lange@rutenbeck.de
 www.rutenbeck.de

28 Wilhelm Rutenbeck GmbH & Co. KG
 Klagebach 33
 58579 Schalksmühle
 Germany

Mr. Holger Rutenbeck

Phone: +49 2355 82-201
 Fax: +49 2355 82-105

mail@rutenbeck.de
 www.rutenbeck.de

50 Wilhelm Rutenbeck GmbH & Co. KG
 Klagebach 33
 58579 Schalksmühle
 Germany

Mr. Bernd Linß

Phone: +49 2355 82-0
 Fax: +49 2355 82-105

bernd.linss@rutenbeck.de
 www.rutenbeck.de

80 Alfons Brummer & Co. GmbH
 Felix-Wankel-Straße 4
 82152 Krailling
 Germany

Phone: +49 89 899968-0
 Fax: +49 89 899968-23

info@brummer.de
 www.brummer.de

30 Detlef Sikora GmbH
 Lägerfeldstraße 7
 30952 Ronnenberg-Empelde
 Germany

Postfach 100 236
 30940 Ronnenberg
 Germany

Phone: +49 511 43804-0
 Fax: +49 511 43804-49

hannover@sikora.de
 www.sikora.de

60 PLP Vertriebs GmbH
 Siegfried Twers + Team
 Theodor-Heuss-Straße 32
 61118 Bad Vilbel
 Germany

Phone: +49 6101 5596-0
 Fax: +49 6101 55 96-55

info@plpteam.de
 www.plpteam.de

85 Horst Rock GmbH
 Am Kiefernschlag 20
 91126 Schwabach
 Germany

Phone: +49 9122 611-79
 Fax: +49 9122 611-59

info@rockundroll.de
 www.rockundroll.de



... all over IP!

⟨R⟩ RUTENBECK

**Wilhelm Rutenbeck
GmbH & Co. KG**

Klagebach 33
58579 Schalksmühle
Germany

Phone +49 2355 82-0
Fax +49 2355 82-105

mail@rutenbeck.de
www.rutenbeck.com

Customer service:

Phone +49 36925 90090
Fax: +49 36925 90092
kundenservice@rutenbeck.de

You can also find us at

www.AUSSCHREIBEN.de

- ⟨R⟩ DATA TECHNOLOGY
- ⟨R⟩ MULTIMEDIA
- ⟨R⟩ TELEMATIC
- ⟨R⟩ TELEPHONE TECHNOLOGY
- ⟨R⟩ LOCKING SYSTEMS [⟨FMT⟩](#)



www.rutenbeck.de